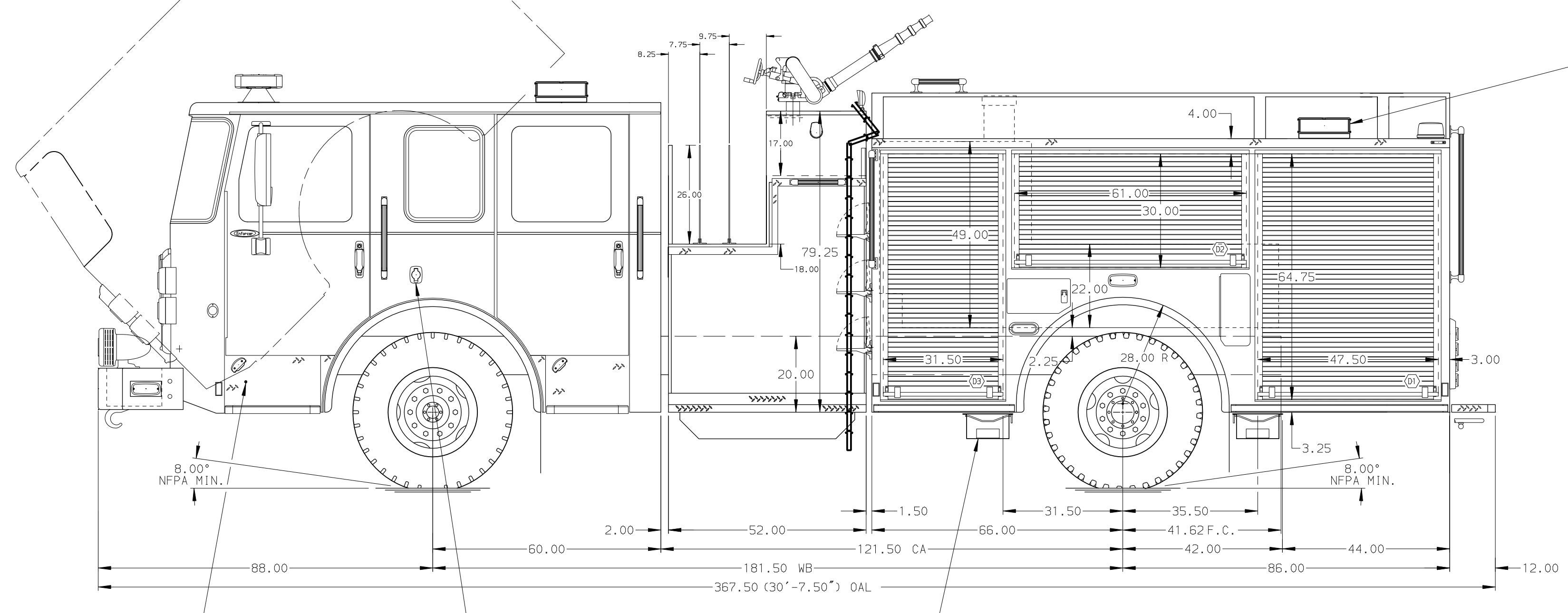
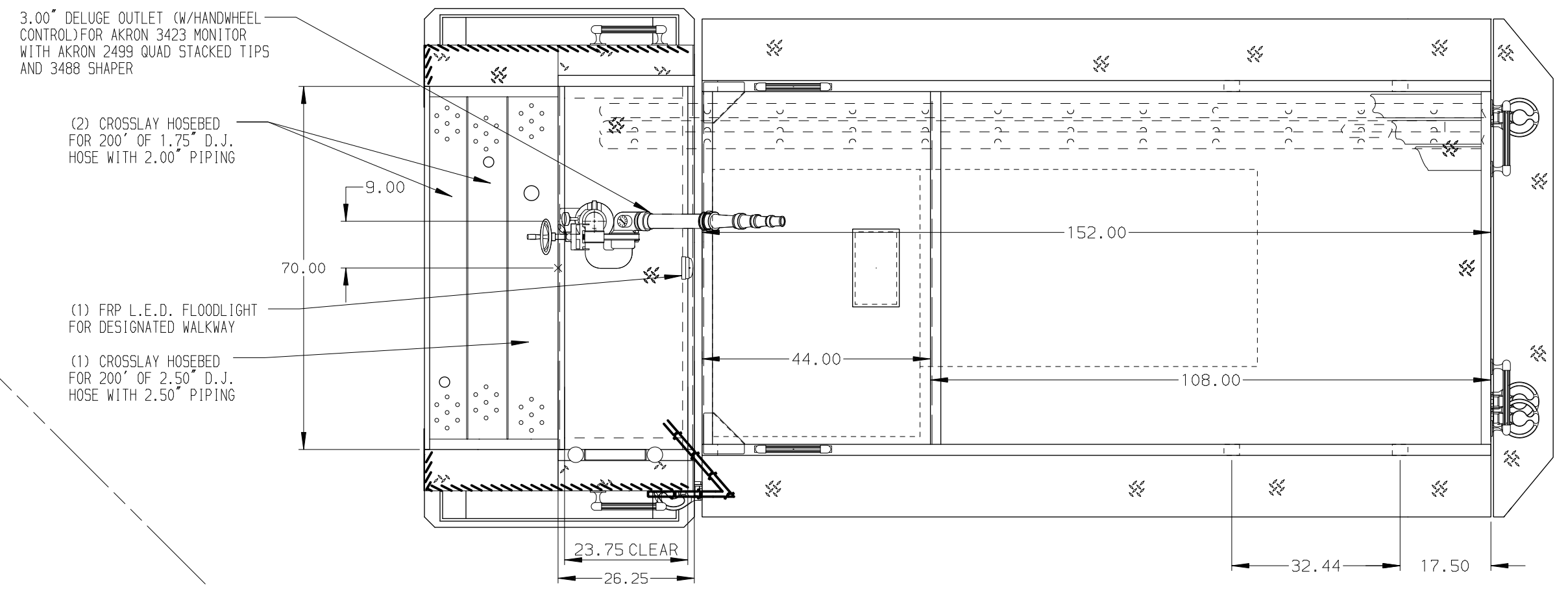
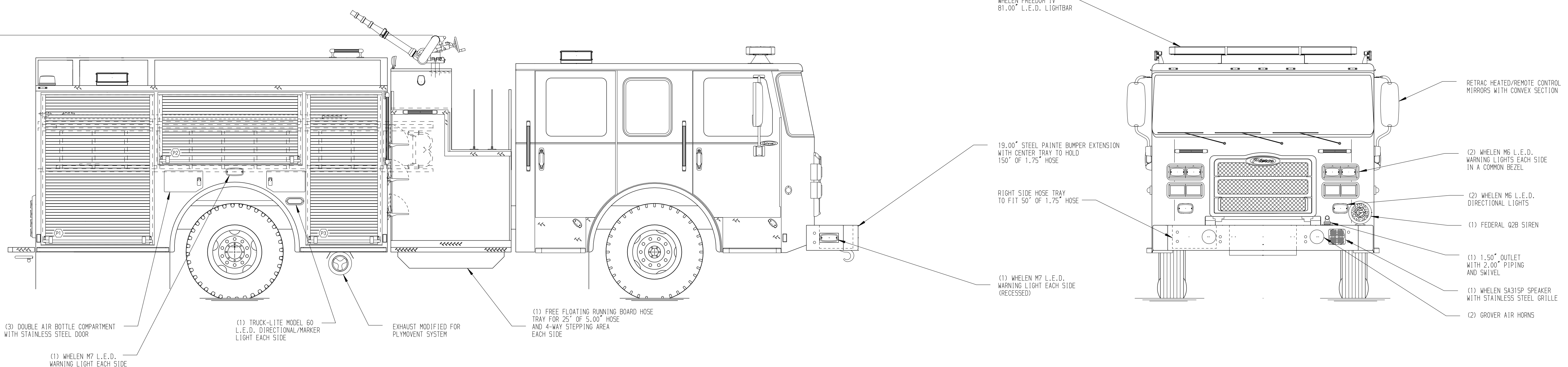


114.00
(9'-6")
APPROX
O.A.H.



ALUMINUM BODY

NOTE
DIMENSIONS SHOWN ARE APPROXIMATE
AND ARE SUBJECT TO MINOR DEVIATIONS
AS MAY OCCUR OR BE NECESSARY IN
CONSTRUCTION.
MINOR DETAILS NOT SHOWN.

- BATTERY CHARGER LOCATED BEHIND DRIVER'S SEAT
- BATTERY CHARGE INDICATOR LOCATED ON DRIVER'S SEAT RISER
- DUAL L.E.D. LIGHT STRIPS LOCATED IN HOSE BED
- ONE FLOOR MOUNTED SLIDE-OUT TRAY IN COMPARTMENT R1
- SWING-OUT TOOL BOARD WITH PEGBOARD PATTERN IN COMPARTMENT D2
- ONE FULL WIDTH/DEPTH ADJUSTABLE TRAY IN COMPARTMENT P2, P3 & R1 TWO IN COMPARTMENT D1, D3, & P1
- SCBA BRACKET LOCATED IN COMPARTMENT D3

REV	DATE	BY	CH	ENFORCER
1	10NOV17	MMF	DTS	CHASSIS DATA
2	16OCT17	MMF	DTS	MAKE
3	13OCT17	MMF	DTS	PIERCE
4	11SEP17	MMF	CSH	MODEL
5	08SEP17	MMF	CSH	

		JOB NO.	31634
		SCALE	DATE
TITLE	1500-D-500 GAL POLY, 152" D.S. & P.S. FH FDLER (3) X-LAYS, LDRS. BETWEEN TANK & S. SHEET, DELUGE	DRAWN BY	MMF
FOR	WEST ORANGE FIRE DEPARTMENT WEST ORANGE, NEW JERSEY	CHECKED BY	CCA
DWG NO.	31634AD	SHEET SIZE	D
		SHEET NO.	1 OF 1