

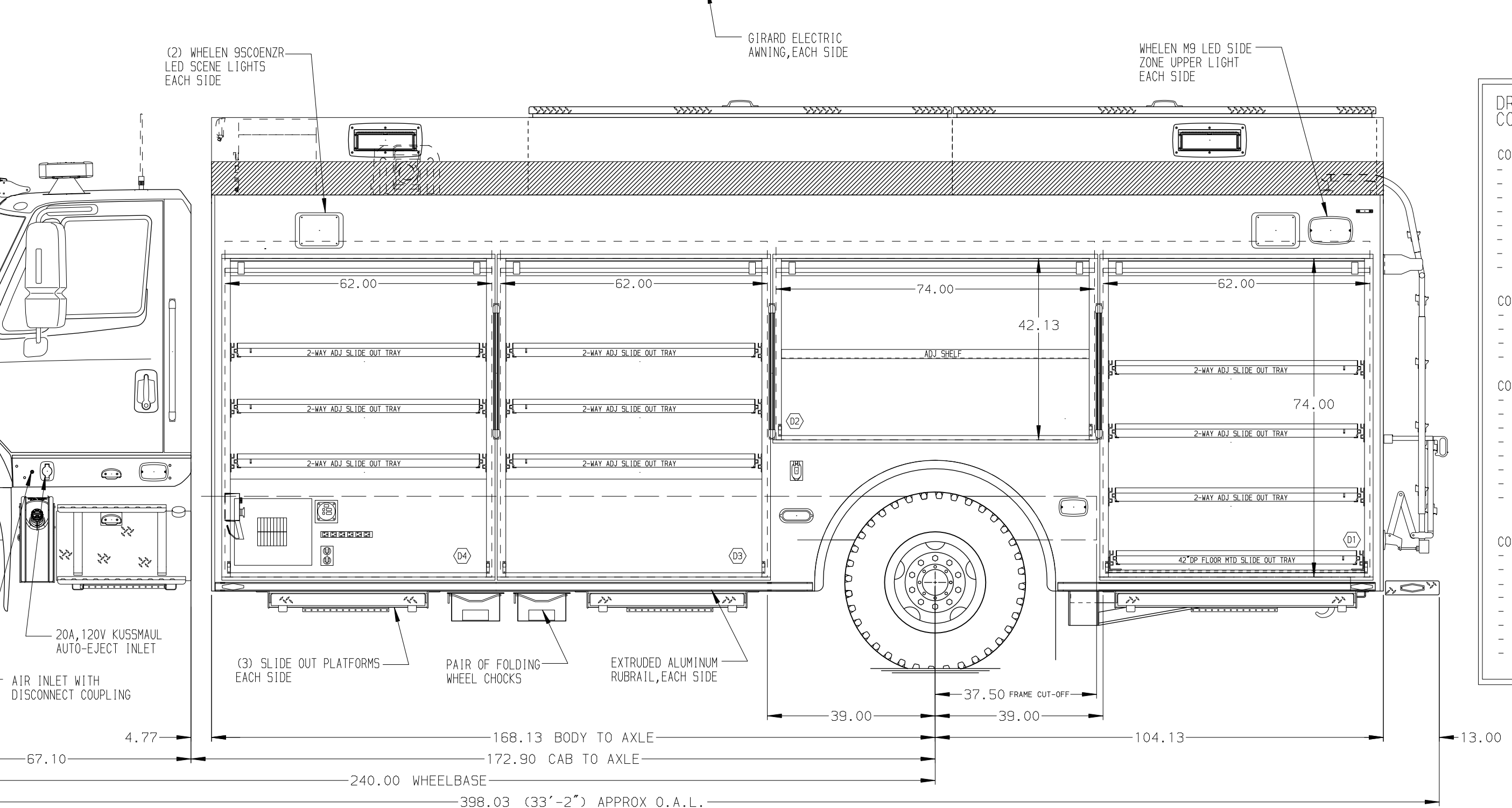
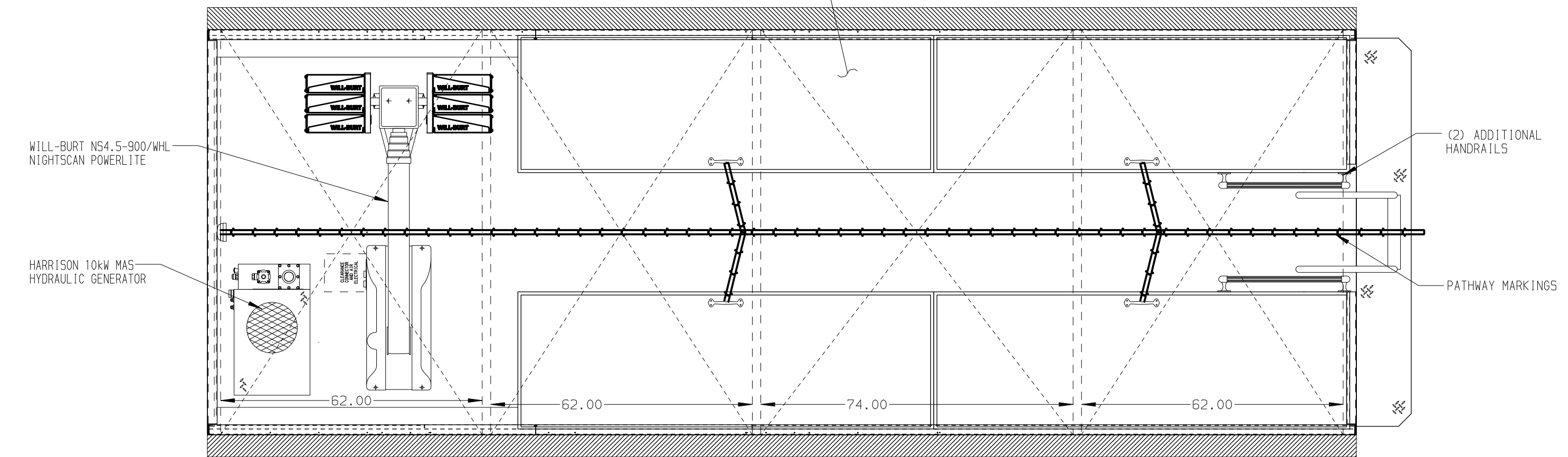
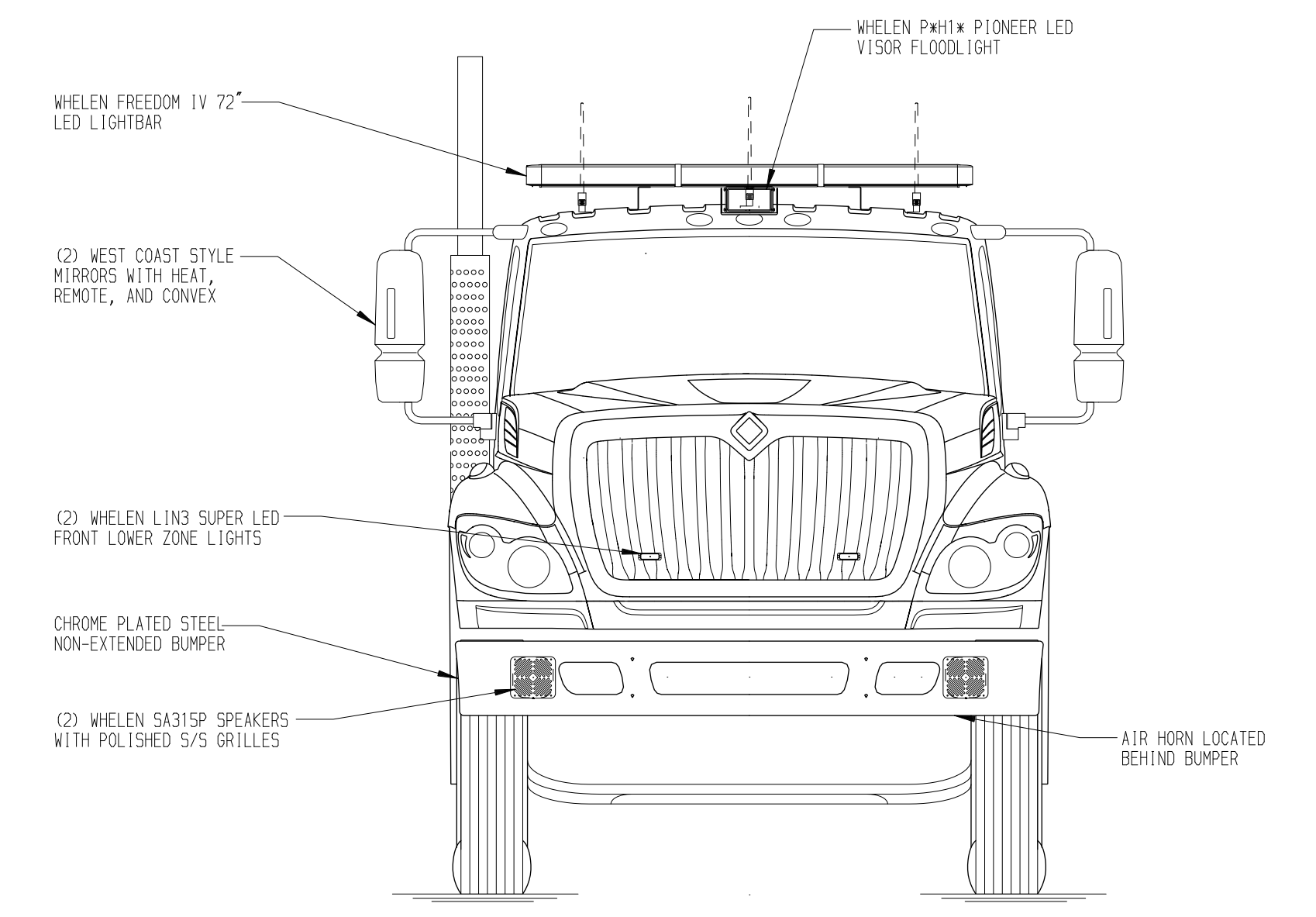
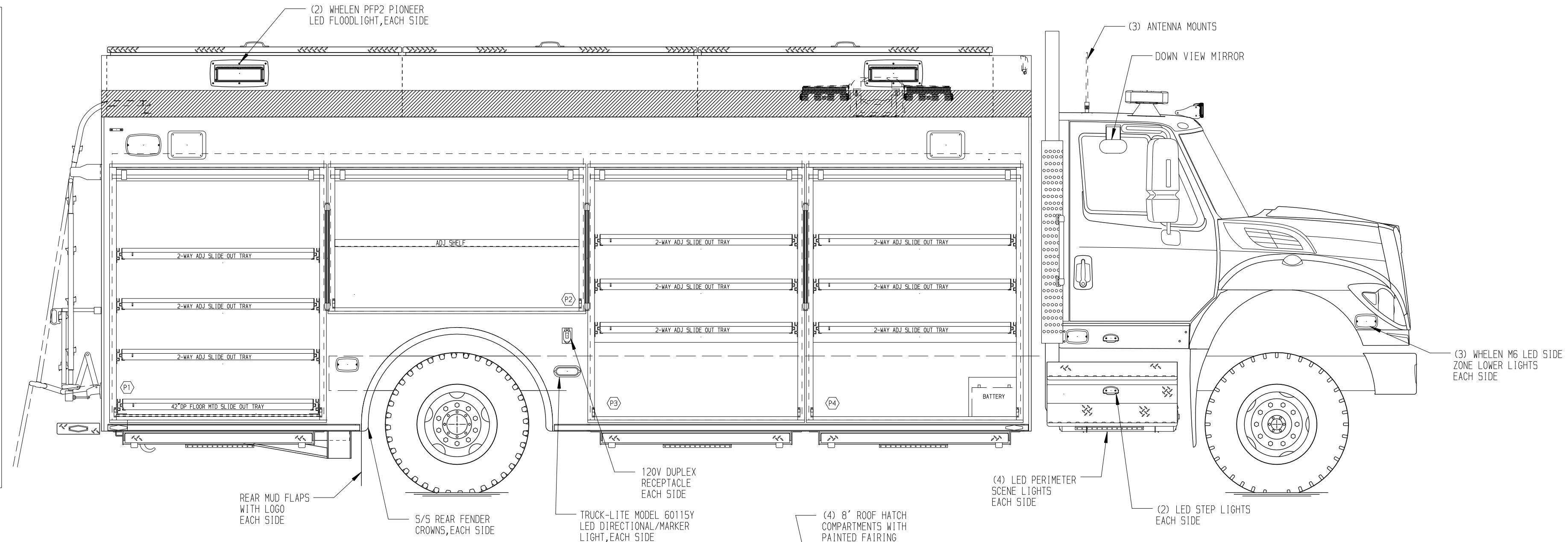
PASSENGER'S SIDE COMPARTMENTS CONTAIN THE FOLLOWING:

COMPARTMENT P1 CONTAINS:
 - (3) 2-WAY ADJ SLIDE OUT TRAYS
 - (1) 42" DP FLOOR MTD SLIDE OUT TRAY

COMPARTMENT P2 CONTAINS:
 - (1) TRANSVERSE ADJ SHELF

COMPARTMENT P3 CONTAINS:
 - (3) 2-WAY ADJ SLIDE OUT TRAYS

COMPARTMENT P4 CONTAINS:
 - (3) 2-WAY ADJ SLIDE OUT TRAYS
 - CHASSIS BATTERIES



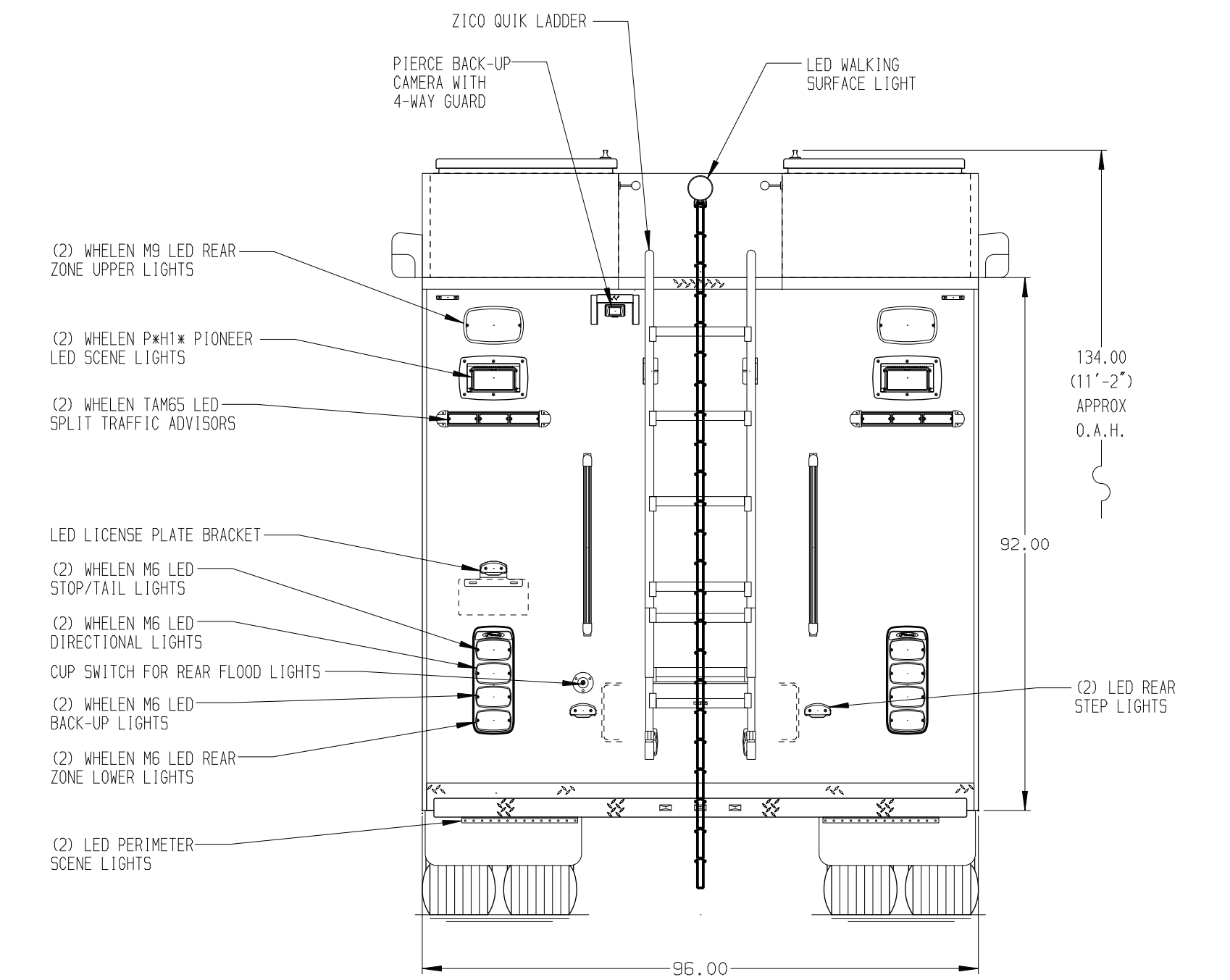
DRIVER'S SIDE COMPARTMENTS CONTAIN THE FOLLOWING:

COMPARTMENT D1 CONTAINS:
 - (3) 2-WAY ADJ SLIDE OUT TRAYS
 - (1) 42" DP FLOOR MTD SLIDE OUT TRAY

COMPARTMENT D2 CONTAINS:
 - (1) TRANSVERSE ADJ SHELF

COMPARTMENT D3 CONTAINS:
 - (3) 2-WAY ADJ SLIDE OUT TRAYS

COMPARTMENT D4 CONTAINS:
 - (3) 2-WAY ADJ SLIDE OUT TRAYS
 - (1) CIRCUIT BREAKER PANEL
 - (1) GENERATOR METER PANEL
 - (1) LIGHT TOWER CONTROLLER
 - (1) 20A, 120V 6-PLACE RECEPTACLE



NOTE
 DIMENSIONS SHOWN ARE APPROXIMATE AND ARE SUBJECT TO MINOR DEVIATIONS AS MAY OCCUR OR BE NECESSARY IN CONSTRUCTION. MINOR DETAILS NOT SHOWN.

NOTES:
 1. KUSSMAUL PUMP PLUS 1000 CHARGER LOCATED IN DRIVER'S SIDE FRONT HATCH COMPARTMENT WITH REMOVABLE COVER
 2. PULL STRAPS ON ALL BODY ROLL-UP DOORS
 3. PIERCE LED LIGHT STRIPS IN ALL BODY COMPARTMENTS

				CHASSIS DATA	TITLE	ENCORE RESCUE VEHICLE	JOB NO.	31716
					FOR	62.62.74.62 SAN MANUEL BAND OF MISSION INDIANS HIGHLAND, CA	SCALE	1:24
12MAR18	DHE	AZU	1HC	MAKE			DRAWN BY	DHE
18JAN18	DHE	AZU	MODEL				CHECKED BY	AZU
REV	DATE	BY	CH	7400	DWG NO.	31716AD	TIM OLLEY	16NOV17
							SHEET SIZE	D
								SHEET NO.
								1 OF 1