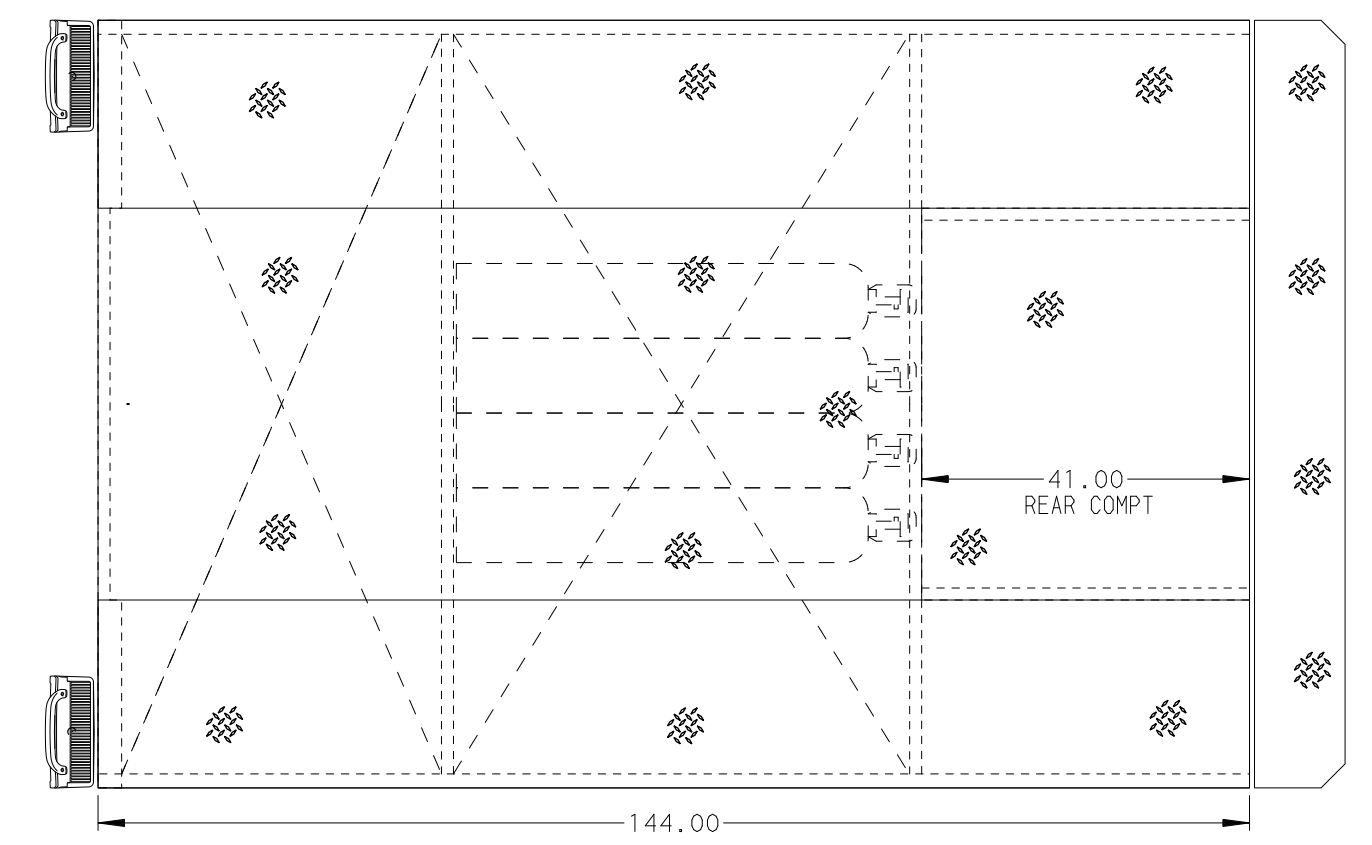
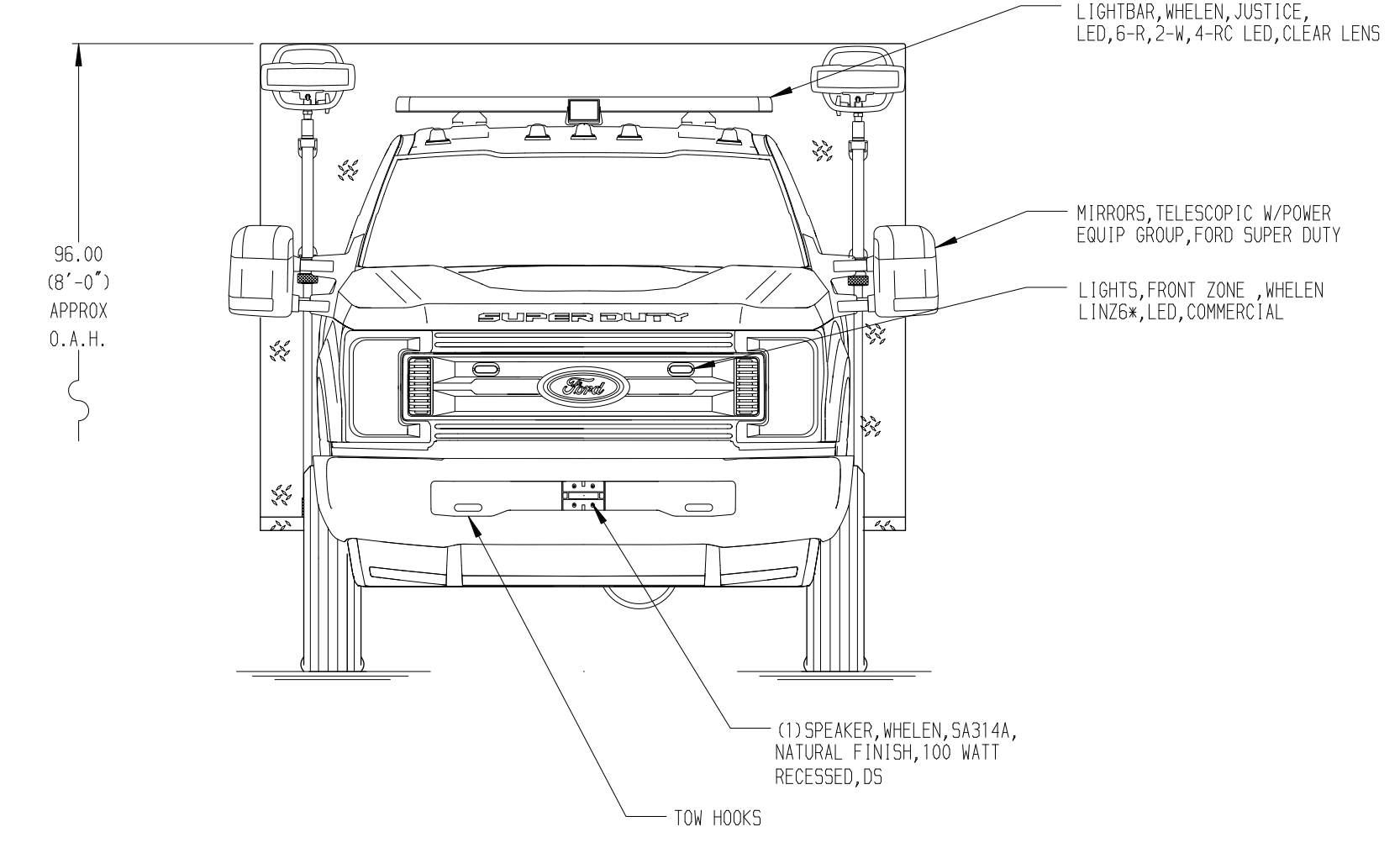
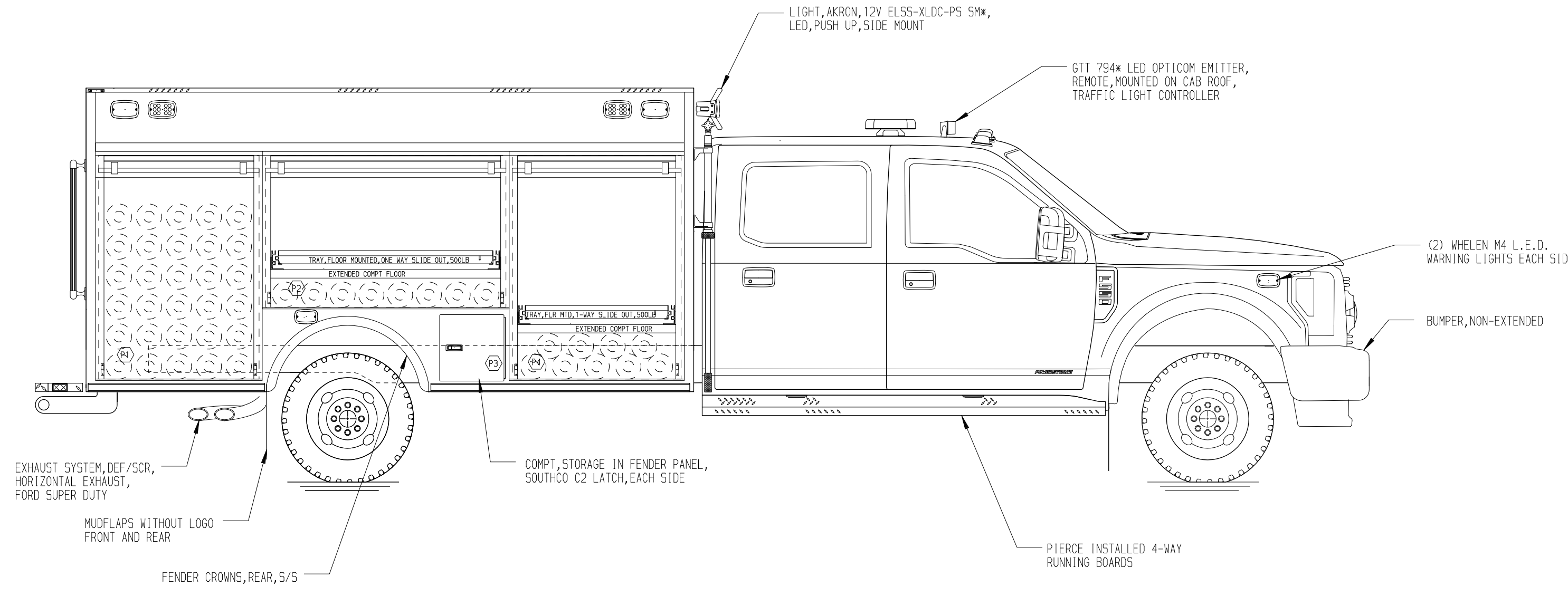


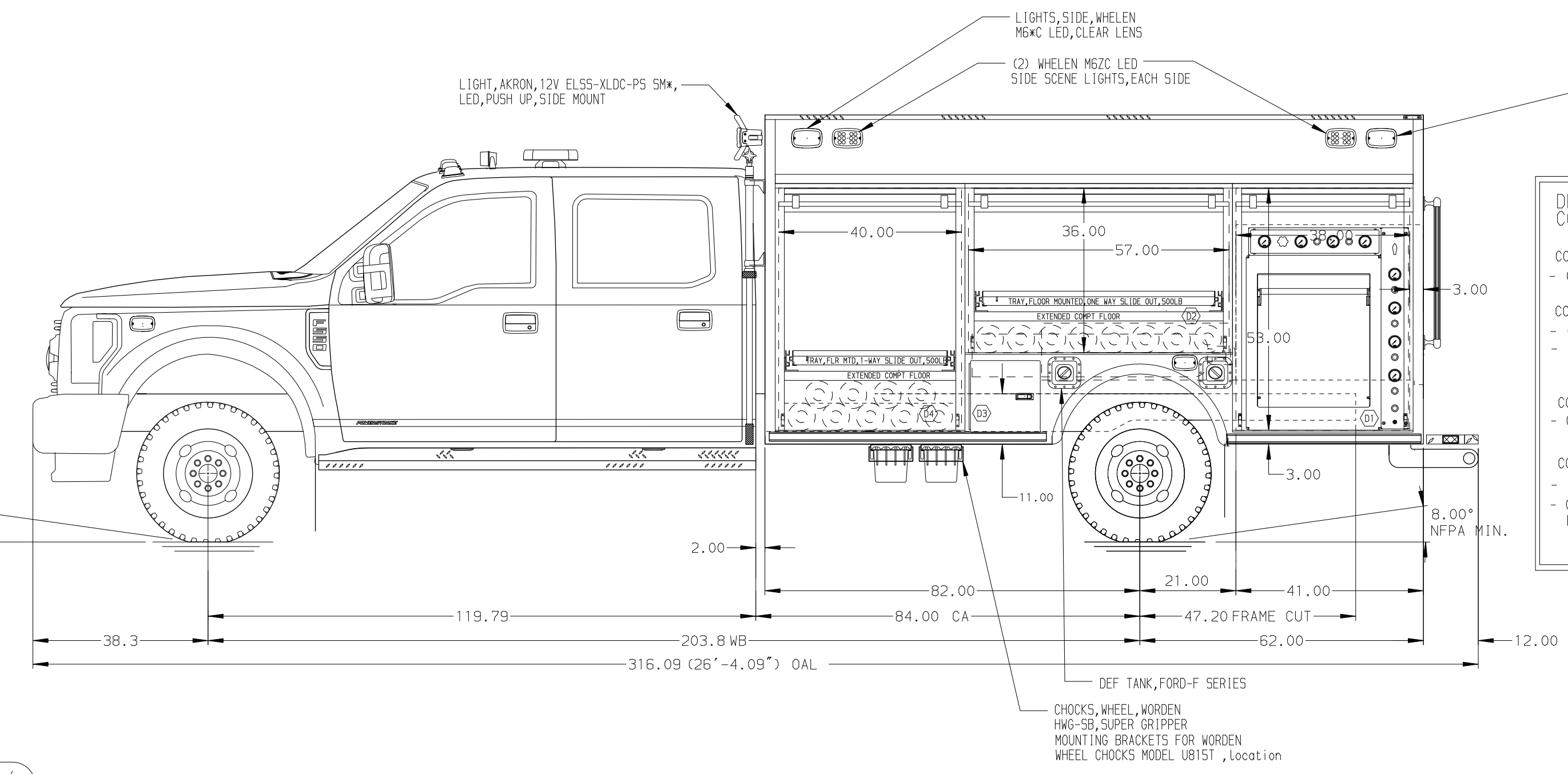
PASSENGER'S SIDE COMPARTMENTS CONTAIN THE FOLLOWING:

- COMPARTMENT P1 CONTAINS:
 - (30) RACK, SPARE SCBA BOTTLES
- COMPARTMENT P2 CONTAINS:
 - (8) RACK, SPARE SCBA BOTTLES
 - (1) TRAY FLOOR MOUNTED SLIDE OUT, 500 LB
 - (1) EXTENDED COMPARTMENT FLOOR BOLT IN STYLE
- COMPARTMENT P3 CONTAINS:
 - (9) RACK, SPARE SCBA BOTTLES
- COMPARTMENT P4 CONTAINS:
 - (1) TRAY FLOOR MOUNTED SLIDE OUT, 500 LB
 - (9) RACK, SPARE SCBA BOTTLES, 7.50'
 - (1) EXTENDED COMPARTMENT FLOOR BOLT IN STYLE



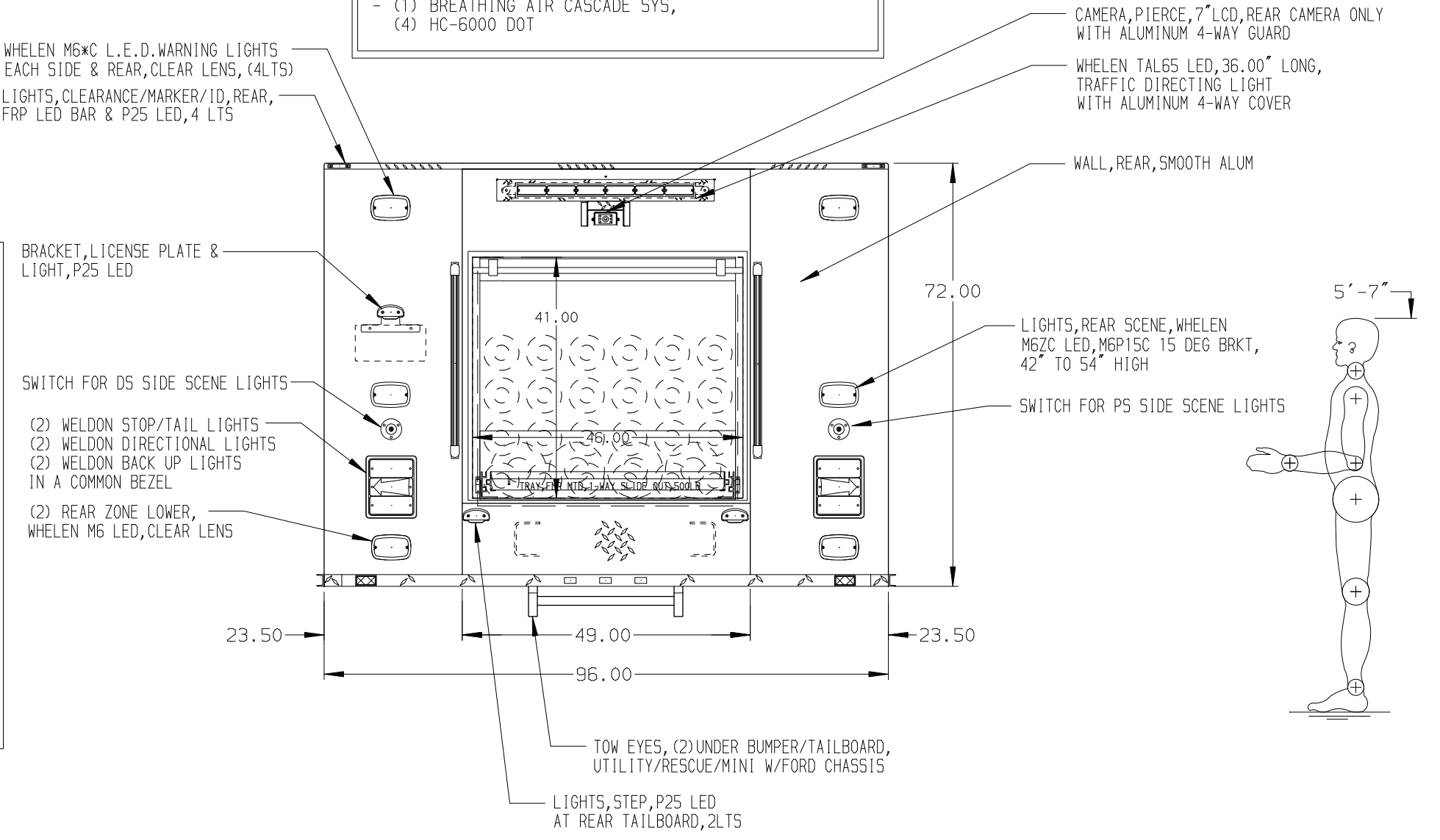
REAR COMPARTMENT R1 CONTAINS THE FOLLOWING:

- COMPARTMENT R1 CONTAINS:
 - (1) TRAY SLIDE OUT, STD DEPTH, FLOOR MOUNTED, 500LB CAPACITY
 - (24) RACK, SPARE SCBA BOTTLE
 - (1) BREATHING AIR CASCADE SYS,
 - (4) HC-6000 DOT



DRIVER'S SIDE COMPARTMENTS CONTAIN THE FOLLOWING:

- COMPARTMENT D1 CONTAINS:
 - (1) FILL ENCLOSURE, 2 BOTTLE, BAUER CFSS-5-2
- COMPARTMENT D2 CONTAINS:
 - (8) RACK SPARE SCBA BOTTLES
 - (1) TRAY FLOOR MOUNTED SLIDE OUT, 500 LB
- COMPARTMENT D3 CONTAINS:
 - (9) RACK, SPARE SCBA BOTTLES
- COMPARTMENT D4 CONTAINS:
 - (1) TRAY FLOOR MOUNTED SLIDE OUT, 500 LB
 - (1) EXTENDED COMPARTMENT FLOOR BOLT IN STYLE



ALUMINUM BODY

NOTE
DIMENSIONS SHOWN ARE APPROXIMATE AND ARE SUBJECT TO MINOR DEVIATIONS AS MAY OCCUR OR BE NECESSARY IN CONSTRUCTION. MINOR DETAILS NOT SHOWN.

MANUFACTURING INC. BRADENTON, FLORIDA		JOB NO.	31756
		DATE	04AUG17
TITLE 12' RESCUE, NON-WALK-IN		SCALE	1:24
		DRAWN BY	JAF
FOR INDIANAPOLIS FIRE DEPARTMENT INDIANAPOLIS, INDIANA		CHK'D BY	RWI
		SHEET NO.	1 OF 1
DRWG. NO. 31756AD		SHEET SIZE	D

REV.	DATE	BY	CHK'D	CHASSIS DATA
13DEC17	JAF	CAG		FORD
22SEP17	RWI	JAF		MODEL F-550 4X4