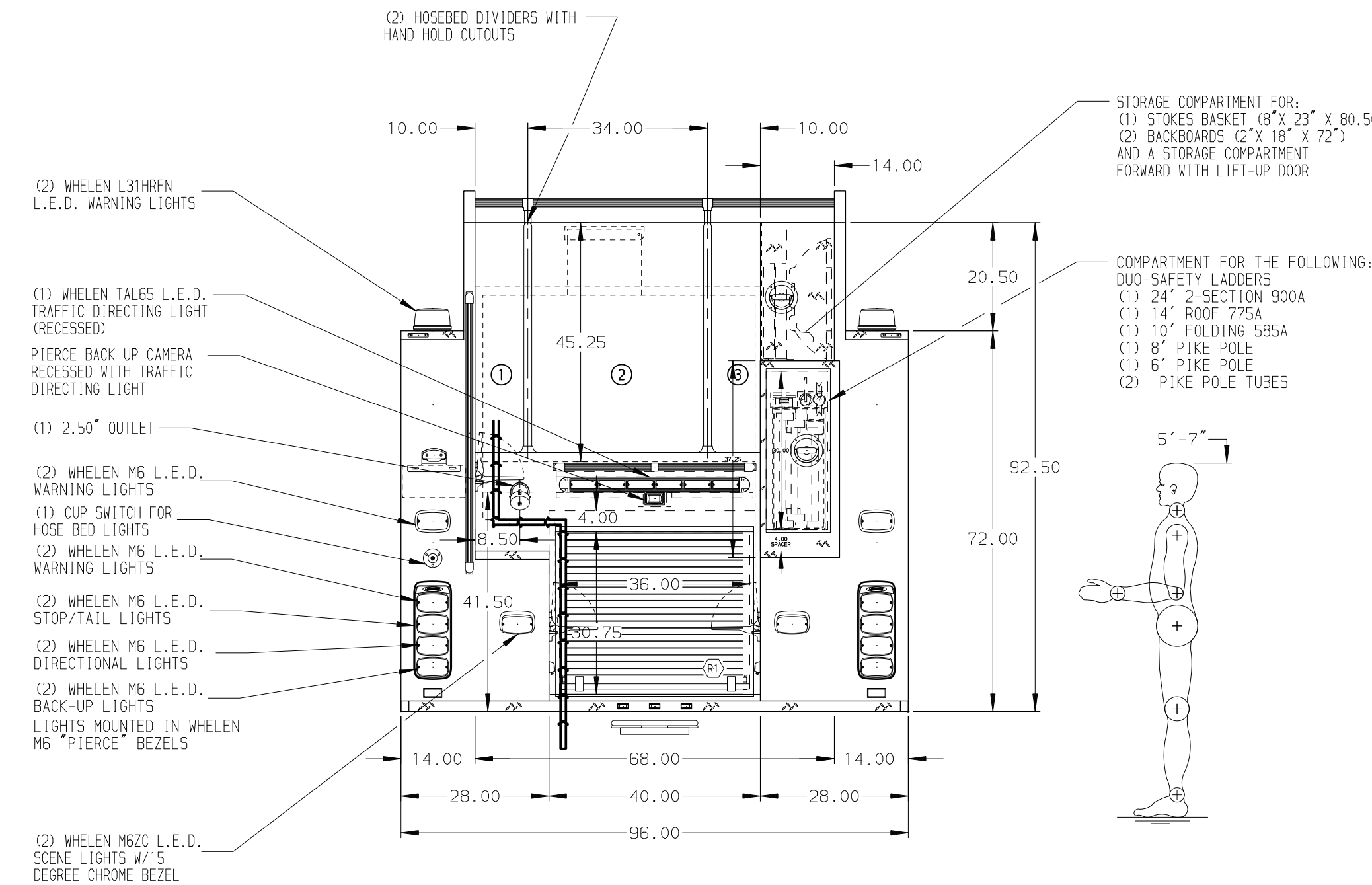
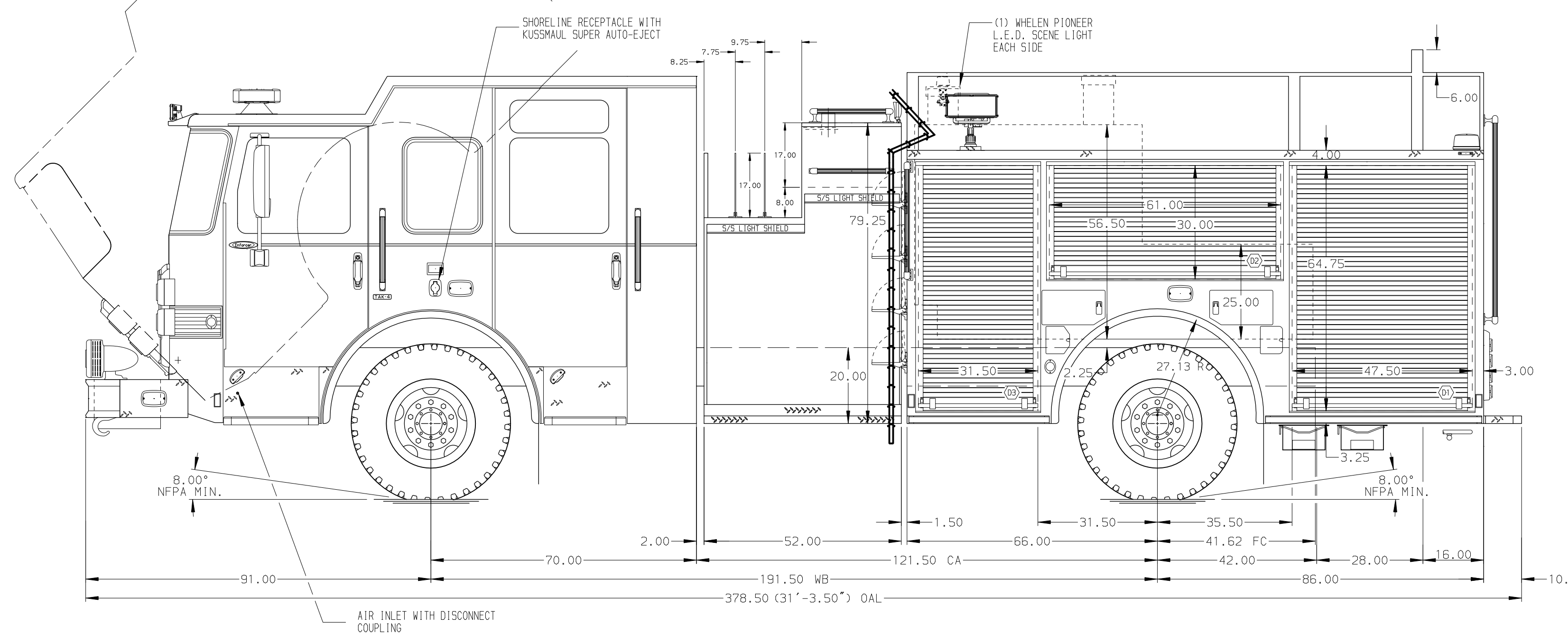


- HOSEBED CAPACITIES
- ① 500' OF 2.50" D.J. HOSE
  - ② 1000' OF 5.00" D.J. HOSE
  - ③ 500' OF 2.50" D.J. HOSE



ALUMINUM BODY

NOTE  
DIMENSIONS SHOWN ARE APPROXIMATE AND ARE SUBJECT TO MINOR DEVIATIONS AS MAY OCCUR OR BE NECESSARY IN CONSTRUCTION. MINOR DETAILS NOT SHOWN.

- 1. BATTERY CHARGER LOCATED BEHIND DRIVER SEAT
- 2. SIX ADJUSTABLE SHELVES LOCATED PER SHOP ORDER
- 3. FOUR ADJUSTABLE SLIDE-OUT TRAYS LOCATED PER SHOP ORDER
- 4. MOUNTING PROVISIONS FOR FRONT INLET
- 5. PLUMBING FOR FUTURE FOAM SYSTEM PER SHOP ORDER

CHASSIS DATA	TITLE	1500-D-750P W/20 GAL FOAM CELL, 152" FH FDLR BODY
MAKE	FOR	(3) XLAYS, LADDERS BESIDE TANK, DELUGE, A/C
PIERCE		
MODEL	DWG NO.	31782AD
ENFORCER	REV	

<b>Pierce</b> MANUFACTURING INC.		JOB NO.	31782
		SCALE	1:24
		DATE	
		DRAWN BY	COL
		24AUG17	
		CHECKED BY	THS
		25AUG17	
		SHEET SIZE	D
		SHEET NO.	1 OF 1