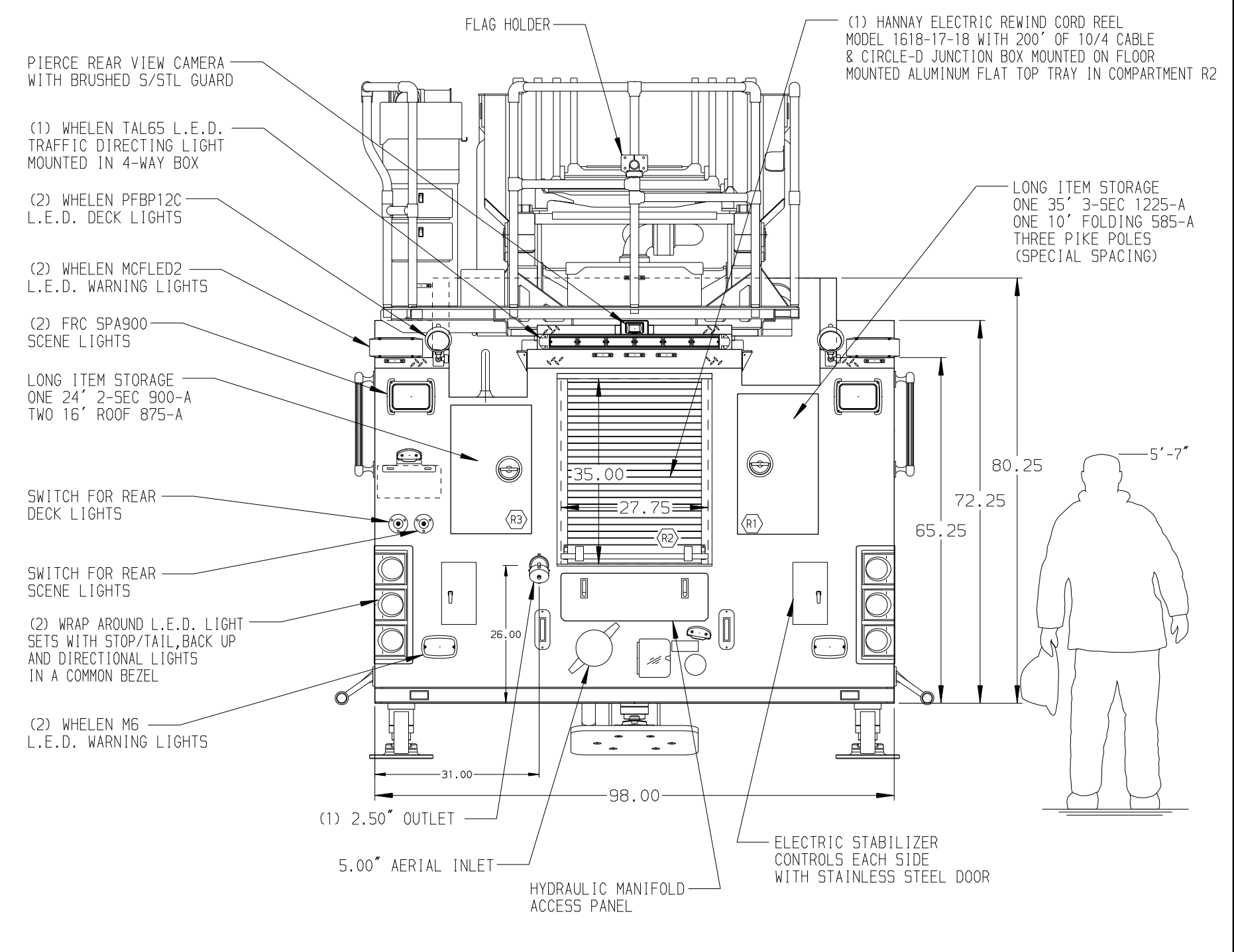


<p>BODY</p> <p>107' ASL Aluminum Body</p> <p>COMPT, DRIVER SIDE FRONT Full Height RollUp Forward</p> <p>COMPT, DRIVER SIDE REAR Full Height RollUp Rearward</p> <p>COMPT, PASSENGER SIDE FRONT Full Height RollUp Forward</p> <p>COMPT, PASSENGER SIDE REAR Full Height RollUp Rearward</p>	<p>WATER TANK</p> <p>500 Gallon Poly Water Tank</p> <p>Foam System Foam System Not Required</p> <p>Foam Cell Foam Cell Not Required</p>
--	--



<p>CHASSIS</p> <p>Enforcer Chassis</p> <p>ENGINE</p> <p>525 HP DD13 Engine</p>	<p>CAB</p> <p>7010 Enforcer Notched Cab</p> <p>BUMPER</p> <p>26" Extended Stainless Steel</p>	<p>AXLE, FRONT, CUSTOM</p> <p>22,800 Lb TAK-4 Axle</p> <p>AXLE, REAR</p> <p>33,500 Lb Meritor Axle</p>	<p>TRANSMISSION</p> <p>Allison 5th Gen, 4500 EV5 P</p>	<p>PUMPHOUSE</p> <p>52" Control Zone Side Mount</p> <p>PUMP</p> <p>2000 GPM Waterous CSU</p>	<p>CROSSLAYS, 1.50"</p> <p>(2) 1.50" Standard Capacity</p> <p>CROSSLAYS, 2.50"</p> <p>(1) 2.50" Standard Capacity</p>	<p>SPEEDLAYS</p> <p>Speedlays Not Required</p> <p>GENERATOR</p> <p>Harrison 10kW MCR Hydraulic</p>
<p>NOTE</p> <p>DIMENSIONS SHOWN ARE APPROXIMATE AND ARE SUBJECT TO MINOR DEVIATIONS AS MAY OCCUR OR BE NECESSARY IN CONSTRUCTION. MINOR DETAILS NOT SHOWN.</p>						
<p>1. ONE 2.50 OUTLET WITH 2.50 PIPING AND SWIVEL LOCATED IN CENTER BUMPER TRAY</p> <p>2. SHORELINE RECEPTACLE WITH KUSSMALL SUPER AUTO-EJECT LOCATED ON DRIVER SIDE OF THE CAB</p> <p>3. AIR INLET WITH KUSSMALL AUTO-EJECT LOCATED ON THE DRIVER SIDE OF THE CAB WITH WEATHERPROOF COVER</p> <p>4. AIR OUTLET WITH SHUT OFF VALVE LOCATED ON THE DRIVER SIDE PUMP PANEL</p> <p>5. BATTERY CHARGER LOCATED IN COMPARTMENT PER SHOP ORDER</p> <p>6. BATTERY CHARGE INDICATOR LOCATED ON DRIVER SIDE OF THE CAB</p> <p>7. FIVE ADJUSTABLE SHELVES IN COMPARTMENTS PER SHOP ORDER</p> <p>8. TWO FLOOR MOUNTED SLIDE-OUT TRAYS IN COMPARTMENTS PER SHOP ORDER</p> <p>9. ONE FLOOR MOUNTED ALUMINUM FLAT TOP TRAY IN COMPARTMENT PER SHOP ORDER</p> <p>10. ONE ALUMINUM SWING OUT TOOLBOARD IN COMPARTMENT PER SHOP ORDER</p> <p>11. ONE VERTICAL PARTITION IN COMPARTMENT PER SHOP ORDER</p> <p>12. CATCH DRAWER ASSEMBLY IN COMPARTMENT PER SHOP ORDER</p> <p>13. HOSE STORAGE RACK IN COMPARTMENT PER SHOP ORDER</p> <p>14. THREE RECEPTACLE STRIPS MOUNTED IN COMPARTMENTS PER SHOP ORDER</p> <p>15. CIRCUIT BREAKER PANEL IN COMPARTMENT PER SHOP ORDER</p> <p>16. 120V POWER TO AERIAL TIP</p> <p>17. FIRE RESEARCH 3-WAY INTERCOM SYSTEM BETWEEN AERIAL TIP, PUMP PANEL & TURNTABLE</p> <p>18. NON-RAISED AERIAL PEDESTAL</p> <p>19. 1500 GPM HIGH FLOW WATERWAY</p>						

		JOB NO.	31807
		SCALE	DATE
TITLE	107' ASCENDANT AERIAL LADDER AND BODY ASSEMBLY	DRAWN BY	TKA
FOR	EGG HARBOR EGG HARBOR, NEW JERSEY	CHECKED BY	CRI
DWG NO.	31807AD	SHEET SIZE	SHEET NO.
		D	1 OF 1

REV	DATE	BY	CH	ENFORCER
18DEC17		TKA	KBO	MAKE
13NOV17		TKA	JEC	PIERCE
26SEP17		TKA	KBO	MODEL