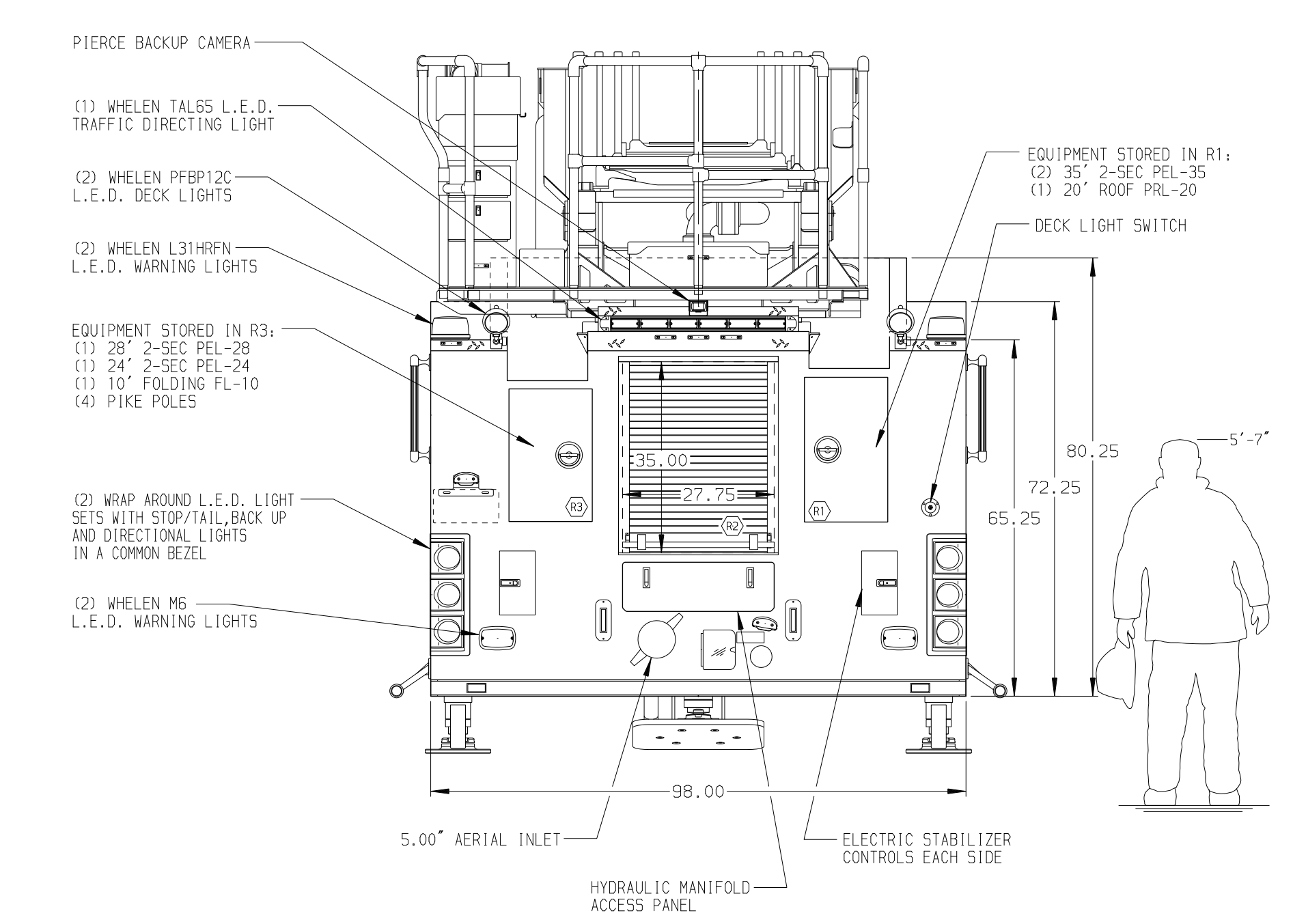


BODY 107' ASL Aluminum Body PUC COMPT, DRIVER SIDE FRONT Full Height RollUp Forward COMPT, DRIVER SIDE REAR Full Height RollUp Rearward COMPT, PASSENGER SIDE FRONT Full Height RollUp Forward COMPT, PASSENGER SIDE REAR Full Height RollUp Rearward	WATER TANK 500 Gallon Poly Water Tank Foam System Plumbing for Future Husky Foam System Foam Cell 20 Gallon Foam Cell, Non-Reduced Water, PUC
---	---



CHASSIS Enforcer Chassis, PUC ENGINE 450 HP Cummins L9 Engine	CAB 7000 Enforcer Cab, PUC BUMPER 22" Extended Stainless Steel	AXLE, FRONT, CUSTOM 22,800 Lb TAK-4 Axle AXLE, REAR 33,500 Lb Meritor Axle	TRANSMISSION Allison 5th Gen, 3000 EV5 P	PUMPHOUSE Control Zone, PAL/PAP PUC PUMP 1500 GPM Pierce PUC	CROSSLAYS, 1.50" (2) 1.50", Full Width Trays, 200' CROSSLAYS, 2.50" (1) 2.50", Full Width Tray, 200'	SPEEDLAYS Speedlays Not Required GENERATOR Harrison 6kW MSV Hydraulic	SAFETY Side Roll and Frontal Impact Protection	CUSTOMER APPROVAL APPROVED BY: _____ DATE: _____		JOB NO. 31840 SCALE 1:24 DATE DRAWN BY TKA 31AUG17 CHECKED BY THS 01SEP17 SHEET SIZE D SHEET NO. 1 OF 1
NOTE DIMENSIONS SHOWN ARE APPROXIMATE AND ARE SUBJECT TO MINOR DEVIATIONS AS MAY OCCUR OR BE NECESSARY IN CONSTRUCTION. MINOR DETAILS NOT SHOWN.										
1. ONE 1.50" OUTLET WITH 2.00" PIPING AND SWIVEL LOCATED IN CENTER BUMPER TRAY 2. SHORELINE RECEPTACLE WITH KUSSMAUL SUPER AUTO-EJECT LOCATED ON DRIVER SIDE OF THE CAB 3. AIR INLET WITH DISCONNECT COUPLING IN THE DRIVER SIDE STEPWELL 4. BATTERY CHARGER LOCATED BEHIND DRIVER'S SEAT 5. BATTERY CHARGE INDICATOR LOCATED ON DRIVER SIDE OF THE CAB 6. SIX ADJUSTABLE SHELVES IN COMPARTMENTS PER SHOP ORDER 7. FOUR FLOOR MOUNTED SLIDE-OUT TRAYS IN COMPARTMENTS PER SHOP ORDER 8. PLUMBING FOR FUTURE HUSKY 3/12 FOAM SYSTEM PER SHOP ORDER 9. CIRCUIT BREAKER PANEL IN COMPARTMENT D3 10. NON-RAISED AERIAL PEDESTAL 11. 1500 GPM HIGH FLOW WATERWAY 12. AC POWER TO AERIAL TIP										
CHASSIS DATA MAKE PIERCE MODEL ENFORCER										
TITLE 107' ASCENDANT AERIAL LADDER AND BODY ASSEMBLY FOR PIERCE FIELD UNIT APPLETON, WISCONSIN DWG NO. 31840AD										