

PUMPER BODY

Long Aluminum 2nd Gen Pumper

CHASSIS

Enforcer Chassis

CHASSIS AXLE, FRONT, CUSTOM

19,500 Lb TAK-4 Axle

AXLE, REAR

27,000 Lb Dana Axle

ENGINE

450 HP Cummins L9 Engine

TRANSMISSION

Allison 5th Gen, 3000 EVS P

BUMPER

19" Extended Painted Steel

CAB

7010 Enforcer Cab

BODY WATER TANK

1000 Gallon Poly Water Tank

COMPT, PUMPER, REAR

51.25" FF RollUp Rear Compt

COMPT, PUMPER, DRIVER SIDE

161" RollUp Full Height Front & Rear FDLR

COMPT, PUMPER PASS. SIDE

161" RollUp Full Height Front & Rear FDLR

FIRE SUPPRESSION PUMPHOUSE

45" Control Zone Top Mount

PUMP

1500 GPM Waterous CSU

CROSSLAYS, 1.50"

1.50" Crosslays Not Required

CROSSLAYS, 2.50"

2.50" Crosslay Not Required

SPEEDLAYS

(2) 1.50" W/Tray Standard Capacity

(1) 2.50" W/Tray Standard Capacity

GENERATOR

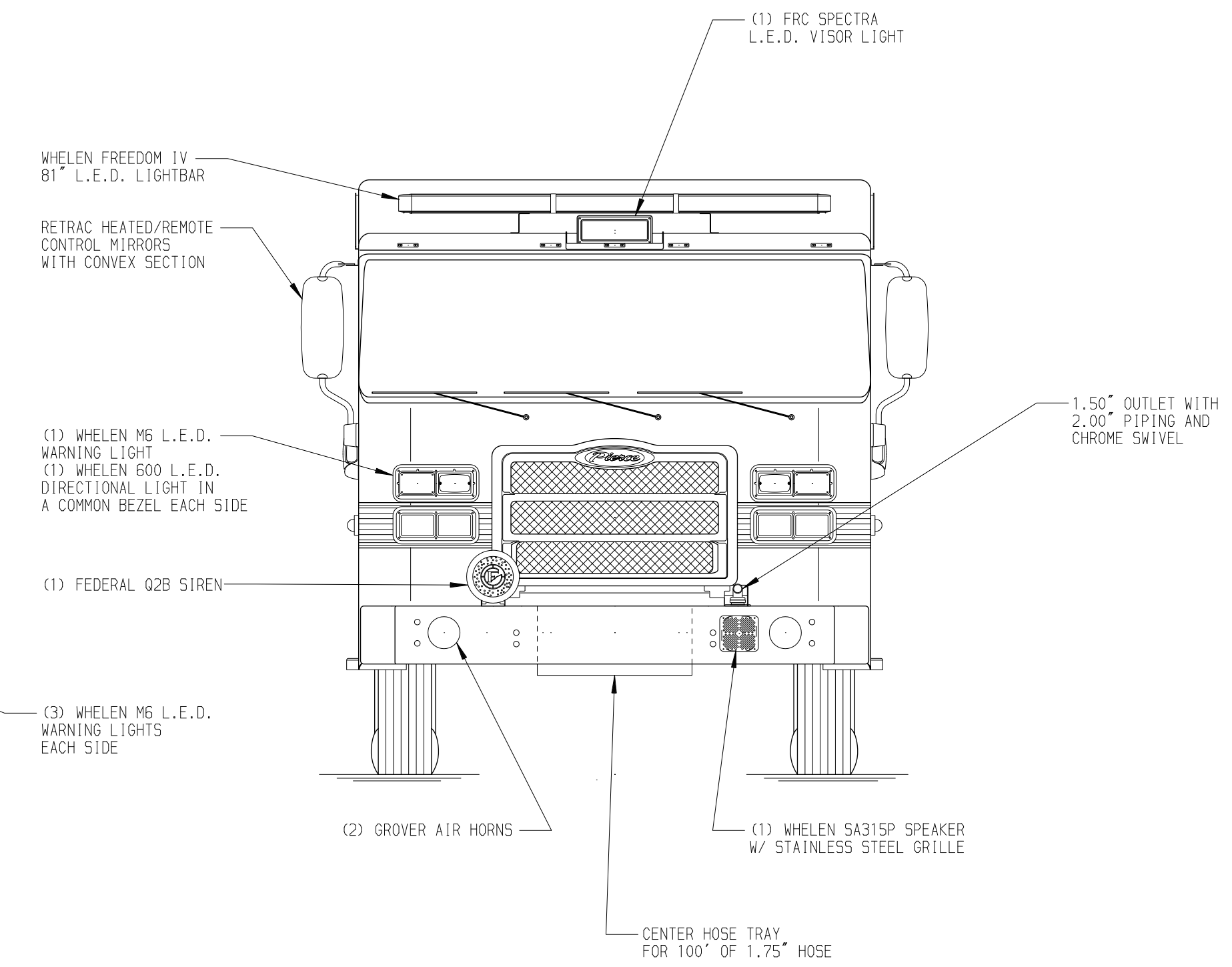
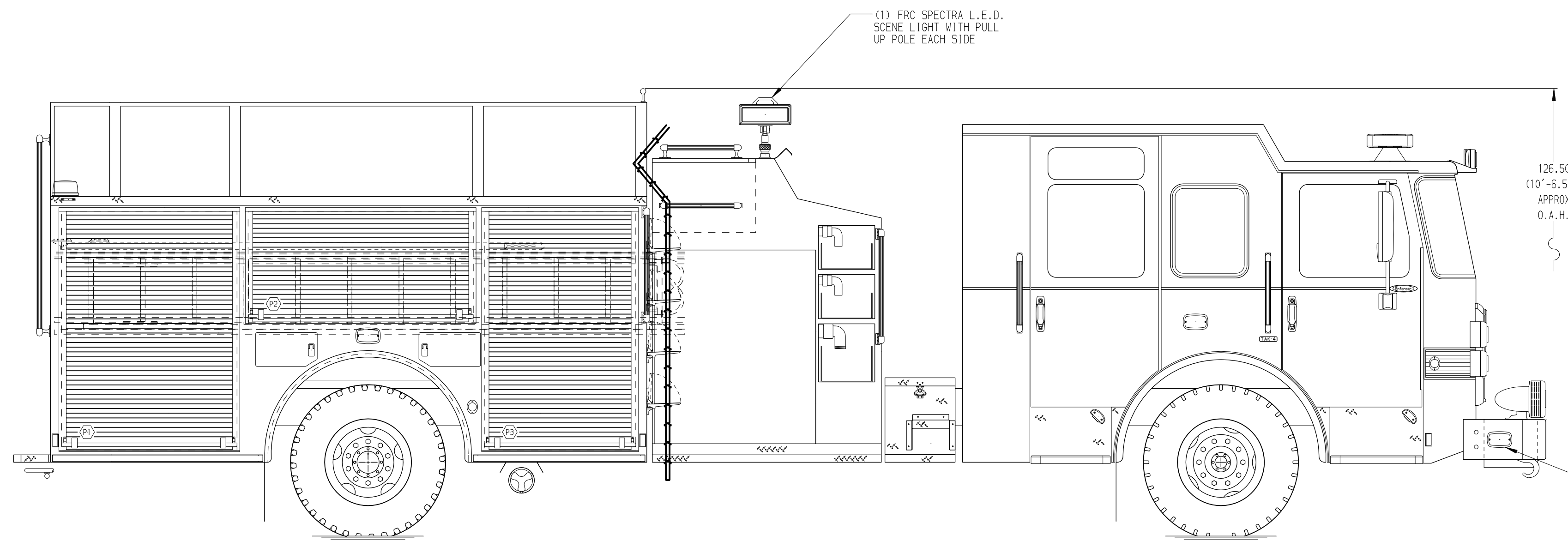
Generator Not Required

Foam System

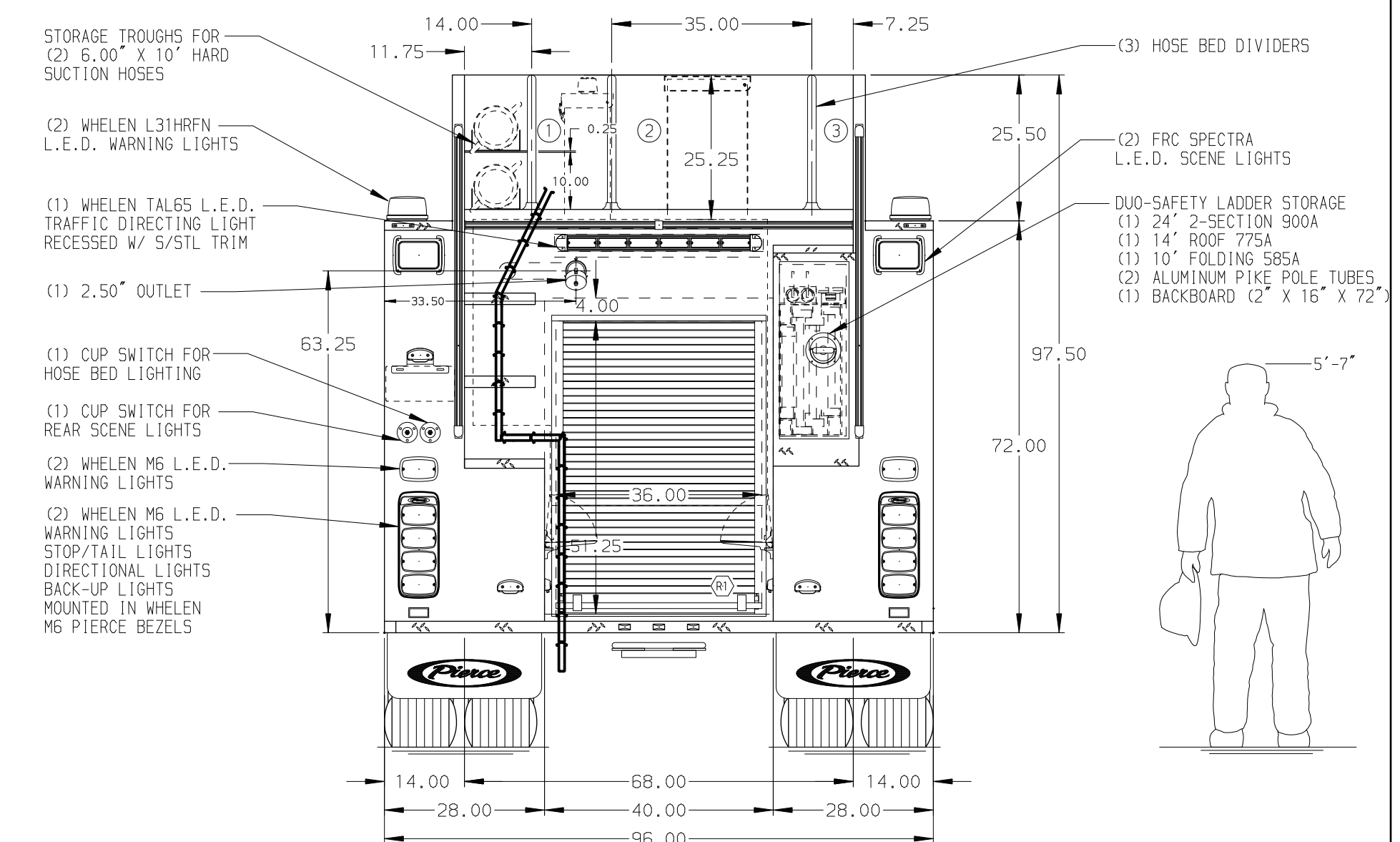
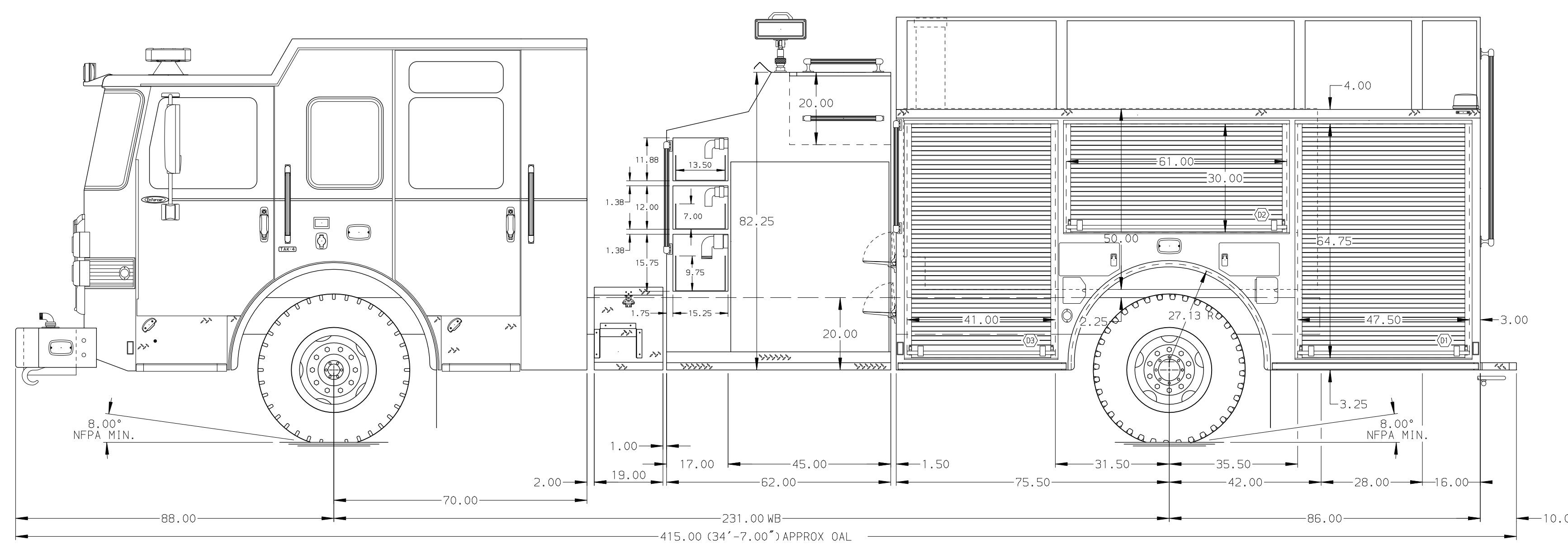
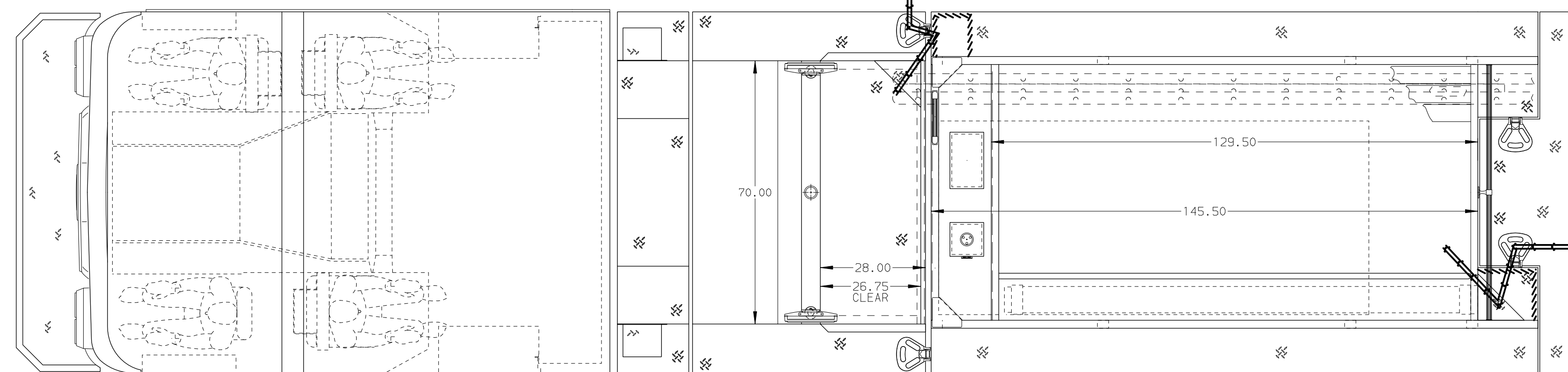
FoamPro 2001 Single Agent Foam System

Foam Cell

20 Gallon Foam Cell, Not Reduced Water



HOSEBED CAPACITY	
BED 1	600' OF 3.00" D.J. POLY HOSE
BED 2	1000' OF 5.00" D.J. POLY HOSE
BED 3	300' OF 3.00" D.J. POLY HOSE



NOTE
DIMENSIONS SHOWN ARE APPROXIMATE AND ARE SUBJECT TO MINOR DEVIATIONS AS MAY OCCUR OR BE NECESSARY IN CONSTRUCTION. MINOR DETAILS NOT SHOWN.

- SHORELINE RECEPTACLE WITH KUSSMAUL SUPER AUTO-EJECT LOCATED ON DRIVER SIDE OF THE CAB
- AIR INLET WITH DISCONNECT COUPLING IN THE DRIVER SIDE STEPPWELL
- BATTERY CHARGER LOCATED BEHIND DRIVERS SEAT
- BATTERY CHARGE INDICATOR LOCATED ON DRIVER SIDE OF THE CAB
- FOUR ADJUSTABLE SHELVES LOCATED PER SHOP ORDER
- FIVE FLOOR MOUNTED SLIDE-OUT TRAYS LOCATED PER SHOP ORDER

REV	DATE	BY	CH	ENFORCER
06NOV17	COL	---	KBO	PIERCE
06OCT17	COL	KBO		MODEL

		JOB NO.	31863
		SCALE	DATE
TITLE	Pierce Pumper Approval Drawing	DRAWN BY	COL
FOR	Bastrop County ESD 1	CHECKED BY	KBO
DWG NO.	31863AD	SHEET SIZE	SHEET NO.
		D	1 OF 1