

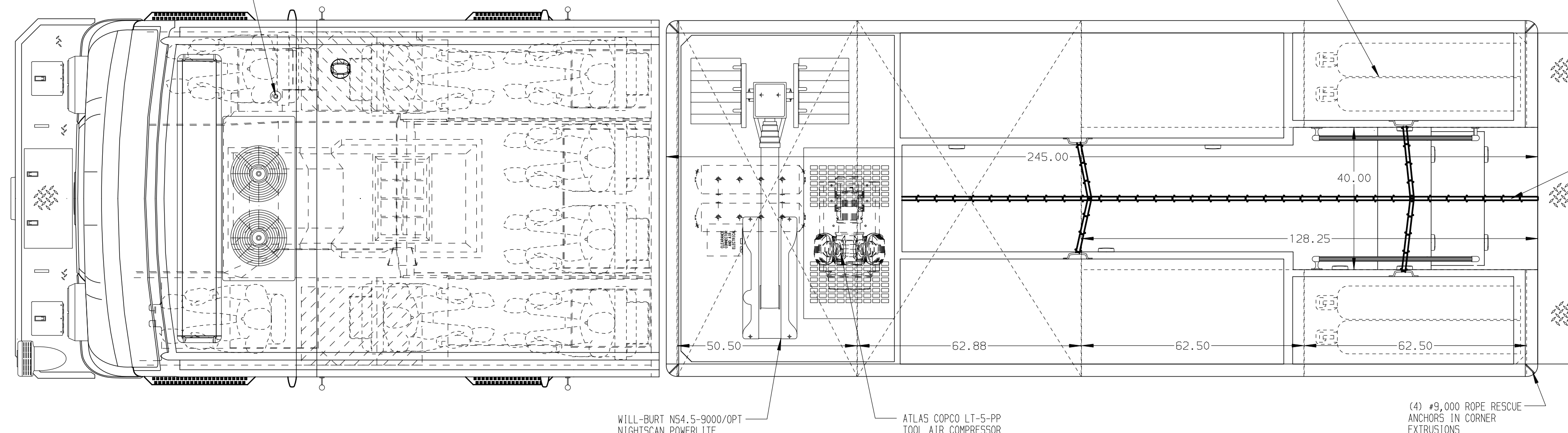
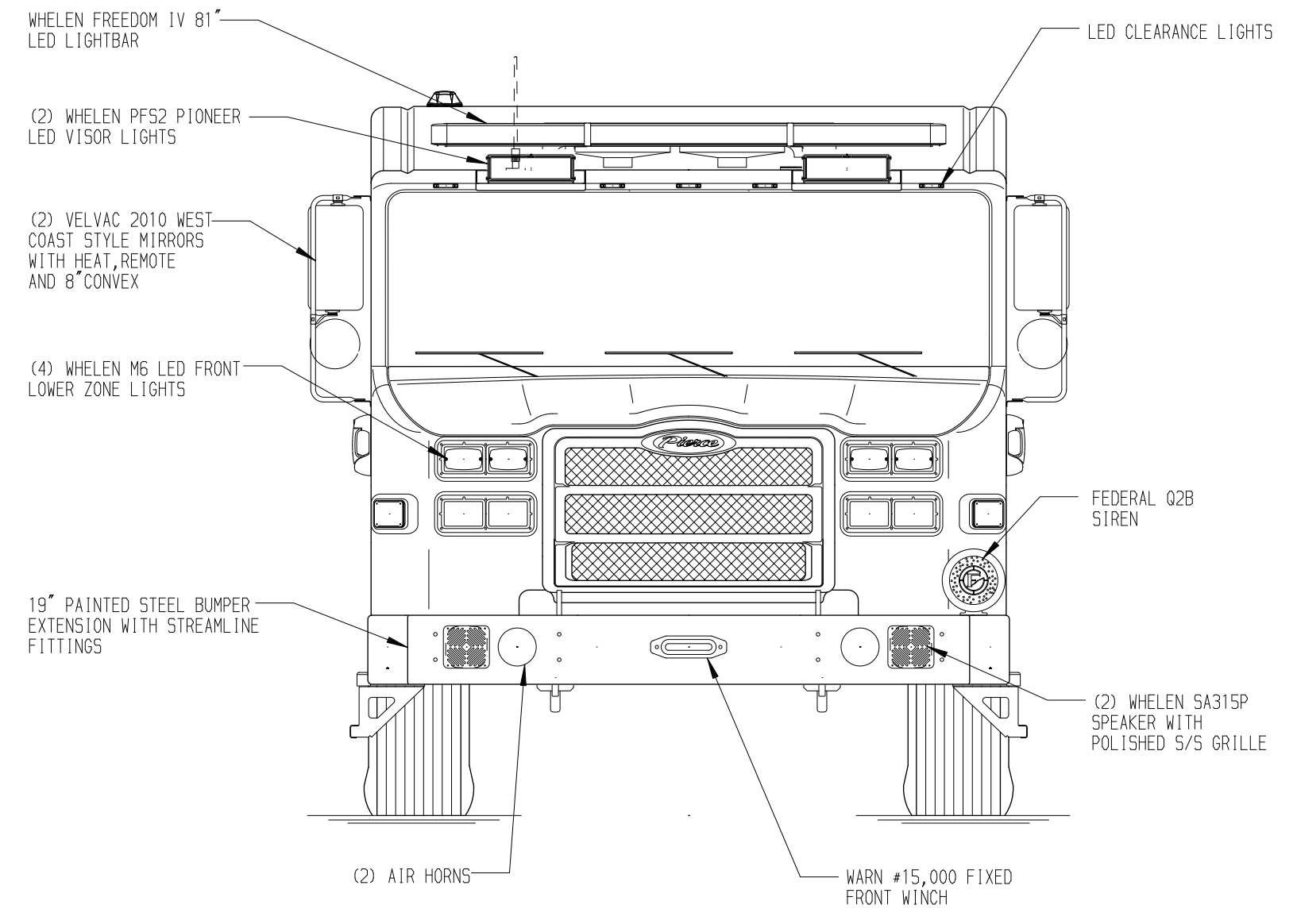
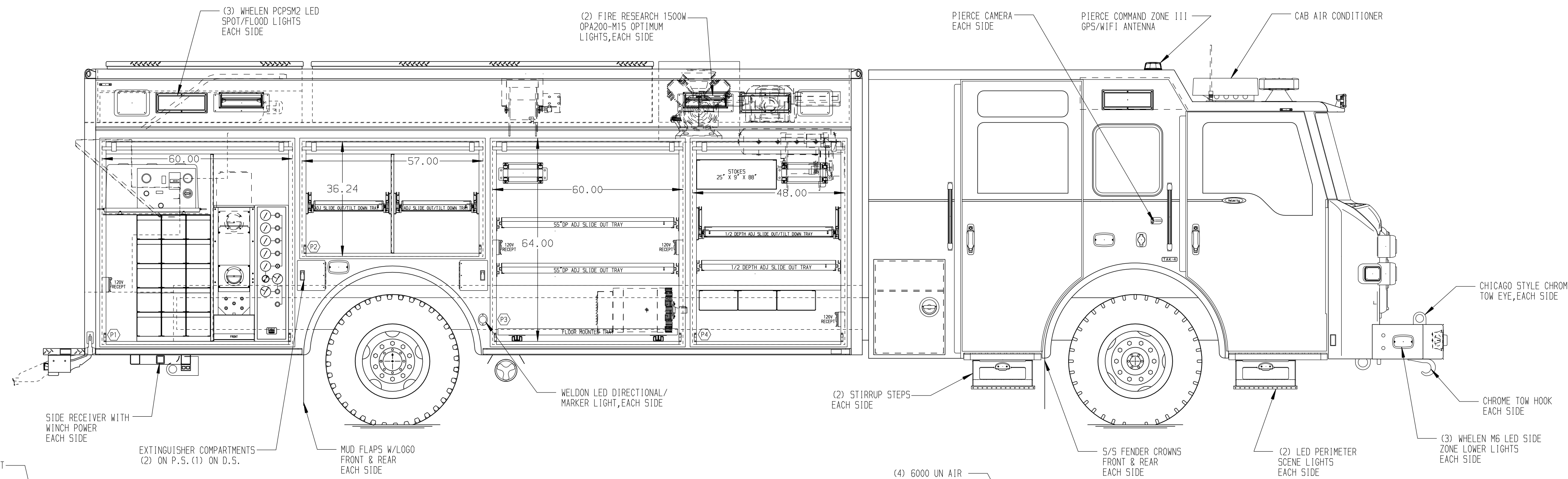
PASSENGER'S SIDE COMPARTMENTS CONTAIN THE FOLLOWING:

- COMPARTMENT P1 CONTAINS:**
 - (1) RACK FOR 15 SCBA BOTTLES
 - (1) VERTICAL COMPARTMENT DIVIDER
 - (1) FLAT TOP ADJ SHELF
 - (1) 15/20A, 120V 4-PLACE RECEPTACLE
 - (1) CASCADE SYSTEM CONTROL PANEL
 - (1) "SPACESAVER" 2-BOTTLE FILL ENCLOSURE
 - (1) BREATHING AIR BOOSTER PUMP

- COMPARTMENT P2 CONTAINS:**
 - (1) VERTICAL COMPARTMENT DIVIDER
 - (2) STD DEPTH ADJ SLIDE OUT/TILT TRAYS

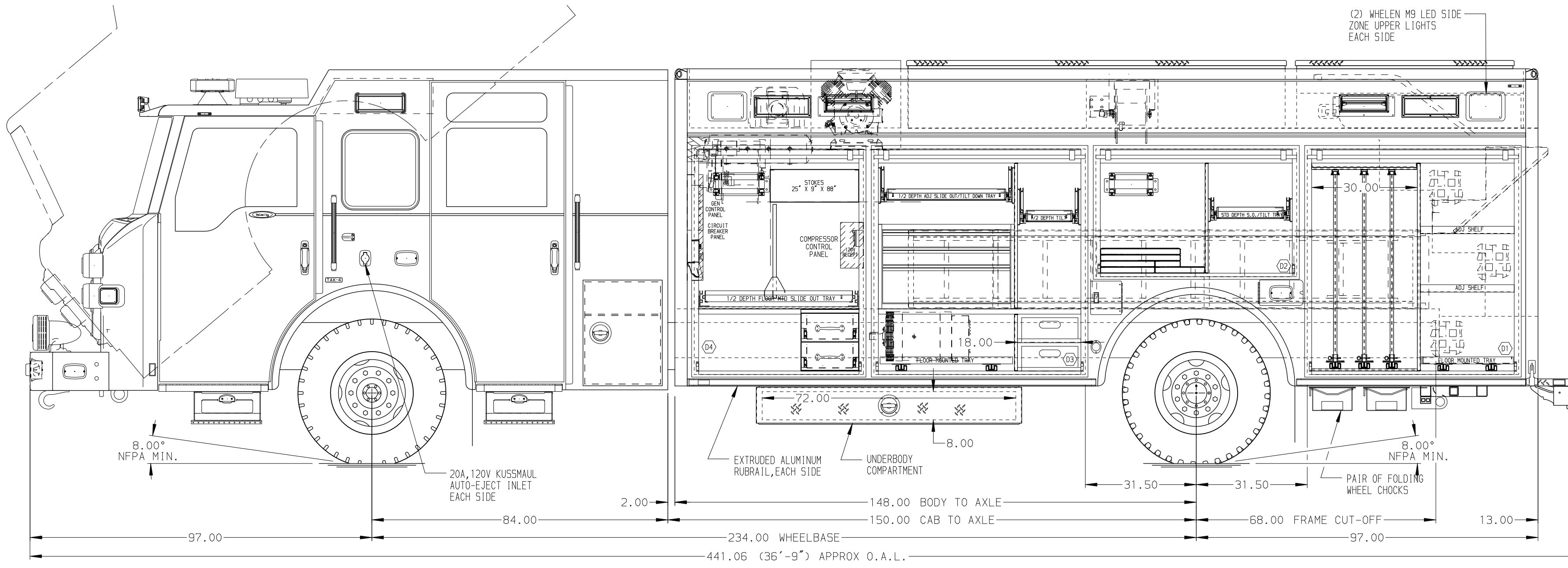
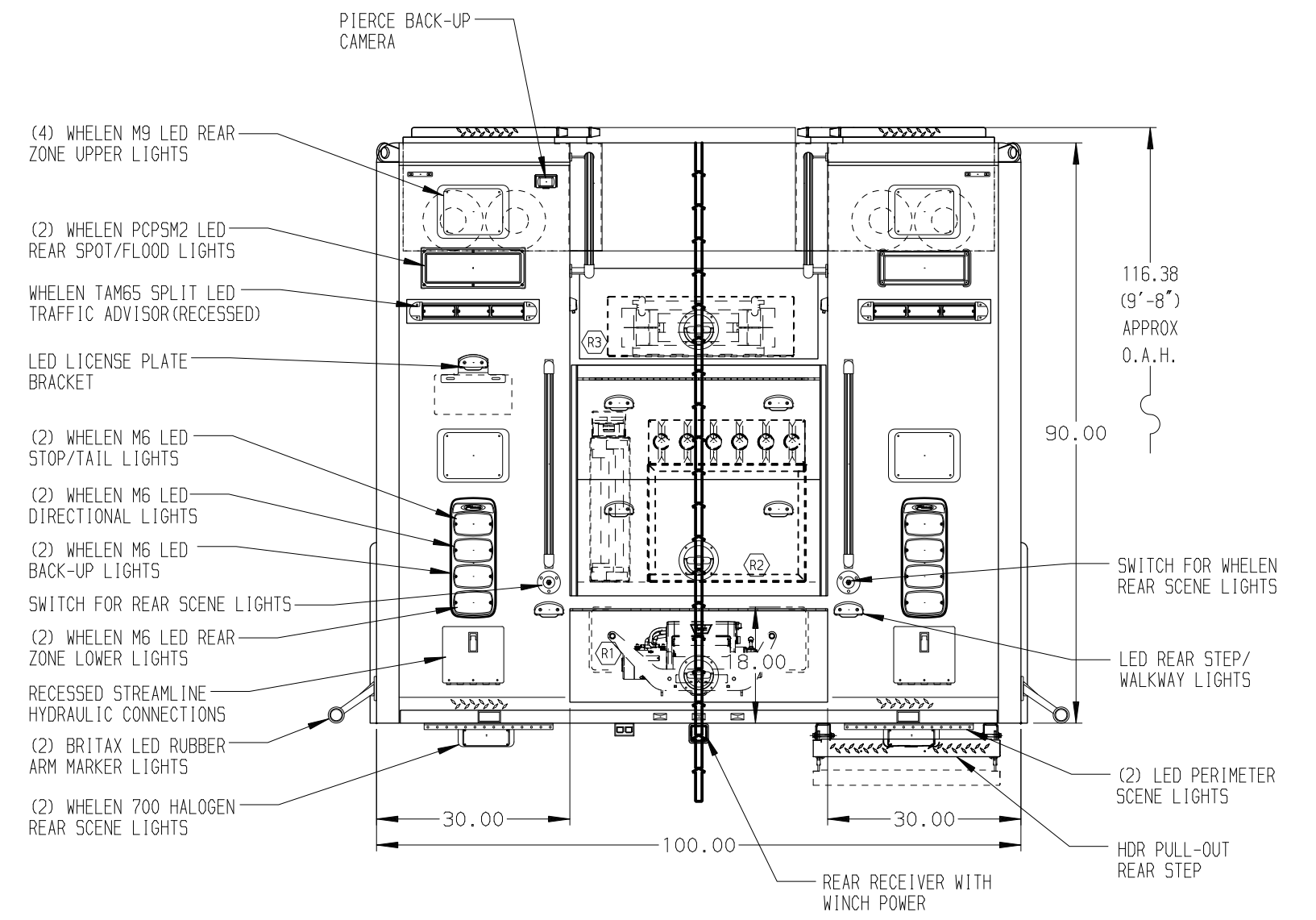
- COMPARTMENT P3 CONTAINS:**
 - (2) 55" DP ADJ SLIDE OUT TRAYS
 - (1) FLOOR MOUNTED TRAY
 - (1) LOW PRESSURE AIR REEL W/200' OF HOSE
 - (2) 15/20A, 120V 4-PLACE RECEPTABLES

- COMPARTMENT P4 CONTAINS:**
 - (1) STOKES BASKET RACK
 - (1) HORIZONTAL FLOOR EXTENSION
 - (3) TROUGHS FOR COILED CABLE
 - (1) 1/2 DEPTH ADJ SLIDE OUT TRAY
 - (1) 1/2 DEPTH ADJ SLIDE OUT/TILT TRAY
 - (1) ELECTRIC CORD REEL WITH 200' OF 10/3 YELLOW CORD
 - (1) 15/20A, 120V 4-PLACE RECEPTACLE



- REAR COMPARTMENT CONTAINS THE FOLLOWING:**
- COMPARTMENT R1 CONTAINS:**
 - (1) RECEIVER TUBE FOR PORTABLE WINCH
- COMPARTMENT R2 CONTAINS:**
 - (1) RACK FOR 6 PIKE POLES
 - (4) 5' POLES
 - (2) 8' POLES
 - (1) CUSTOM STORAGE TROUGH
 - (1) RACK FOR 20' 2-SECTION LADDER
 - (1) RACK FOR 10' FOLDING LADDER
- COMPARTMENT R3 CONTAINS:**
 - (1) LITTLE GIANT LADDER RACK

- DRIVER'S SIDE COMPARTMENTS CONTAIN THE FOLLOWING:**
- COMPARTMENT D1 CONTAINS:**
 - (1) VERTICAL COMPARTMENT DIVIDER
 - (2) STD DEPTH ADJ SLIDE OUT TOOLBOARDS
 - (2) STD DEPTH ADJ SHELVES
 - CARGO RETENTION NETTING (REAR PORTION)
 - (1) FLOOR MOUNTED TRAY
- COMPARTMENT D2 CONTAINS:**
 - (1) VERTICAL COMPARTMENT DIVIDER
 - (1) RACK FOR 6 AIR BAGS
 - (1) STD DEPTH ADJ SLIDE OUT/TILT TRAY
 - (1) LOW PRESSURE AIR REEL W/200' OF HOSE
- COMPARTMENT D3 CONTAINS:**
 - (2) VERTICAL COMPARTMENT DIVIDERS
 - (1) 3-DRAWER C-TECH CABINET
 - (1) HORIZONTAL FLOOR EXTENSION
 - (2) 1/2 DEPTH ADJ SLIDE OUT/TILT TRAY
 - (1) FLOOR MOUNTED TRAY
 - (4) POLY TOOL BOXES (16" x 13" x 8.5" H)
 - (1) STD DEPTH ADJ SHELF
- COMPARTMENT D4 CONTAINS:**
 - (1) STOKES BASKET RACK
 - (1) SET OF 2 TOOL DRAWERS
 - (1) HORIZONTAL FLOOR EXTENSION
 - (1) ELECTRIC CORD REEL WITH 200' OF 10/3 YELLOW CORD
 - (1) 15/20A, 120V 4-PLACE RECEPTACLE
 - (1) CIRCUIT BREAKER PANEL
 - (1) GENERATOR METER PANEL
 - (1) NIGHT SCAN CONTROLLER
 - (1) COMPRESSOR CONTROL PANEL
 - (1) 1/2 DEPTH FLOOR MTD SLIDE OUT TRAY WITH TOOLBOARD



NOTE
 DIMENSIONS SHOWN ARE APPROXIMATE AND ARE SUBJECT TO MINOR DEVIATIONS AS MAY OCCUR OR BE NECESSARY IN CONSTRUCTION. MINOR DETAILS NOT SHOWN.

- NOTES:**
1. WHELEN HOWLER SPEAKER SYSTEM BEHIND FRONT BUMPER
 2. AIR INLET WITH DISCONNECT COUPLING LOCATED IN DRIVER'S SIDE LOWER STEP WELL OF CAB
 3. WARN #9,000 PORTABLE RECEIVER STYLE WINCH
 4. POLISHED S/S SCUFFPLATES ON CAB AND CREW CAB DOOR JAMBS
 5. FLOOR IN CAB AND CREW CAB TO BE RUBBER PADDED AND COVERED WITH ALUMINUM TREADPLATE
 6. BATTERY CHARGE INDICATOR LOCATED IN DRIVER'S STEP AREA
 7. LED LIGHT STRIPS IN ALL BODY AND HATCH COMPARTMENTS
 8. VIN-A-GRIP MATTING ON COMPARTMENT FLOORS AND SHELVES AND TRAYS
 9. ONAN 55kW SINGLE PHASE PTO DRIVEN GENERATOR LOCATED BETWEEN THE FRAME RAILS
 10. 20A, 120V 6-PLACE RECEPTACLE LOCATED NEXT TO THE ENGINE TUNNEL

MAXIMUM O.A.L. 37'-6"
 MAXIMUM O.A.H. 9'-8"
 SIDE ROLL AND FRONTAL IMPACT PROTECTION

CLEAR DOOR WIDTH KEY		CHASSIS DATA	TITLE
AMDR ROLL UP DOORS:	-2 1/4"	15FEB18	HEAVY DUTY RESCUE NON-WALKIN
CORTITE ROLL UP DOORS:	-2 1/2"	DHE	VALHALLA FIRE DISTRICT VALHALLA, NY
PIERCE DOUBLE LAP DOORS:	-4 1/4"	SBR	PIERCE
PIERCE LIFT-UP LAP DOORS:	-1 1/2"	CDK	PIERCE
(EX: 60" F-F - 2 1/4" = 57 3/4" CLEAR)		18OCT17	MODEL
(F-F) = FRAME TO FRAME		SBR	DATE
		CDK	BY
		CH	CH
		VXFR8410	NO.

		JOB NO.	31877
		SCALE	DATE
TITLE HEAVY DUTY RESCUE NON-WALKIN		DRAWN BY	DHE
FOR VALHALLA FIRE DISTRICT VALHALLA, NY		CHECKED BY	AZU
DWG NO. 31877AD		SHEET SIZE	D
MIKE HANRATTY		SHEET NO.	1 OF 1