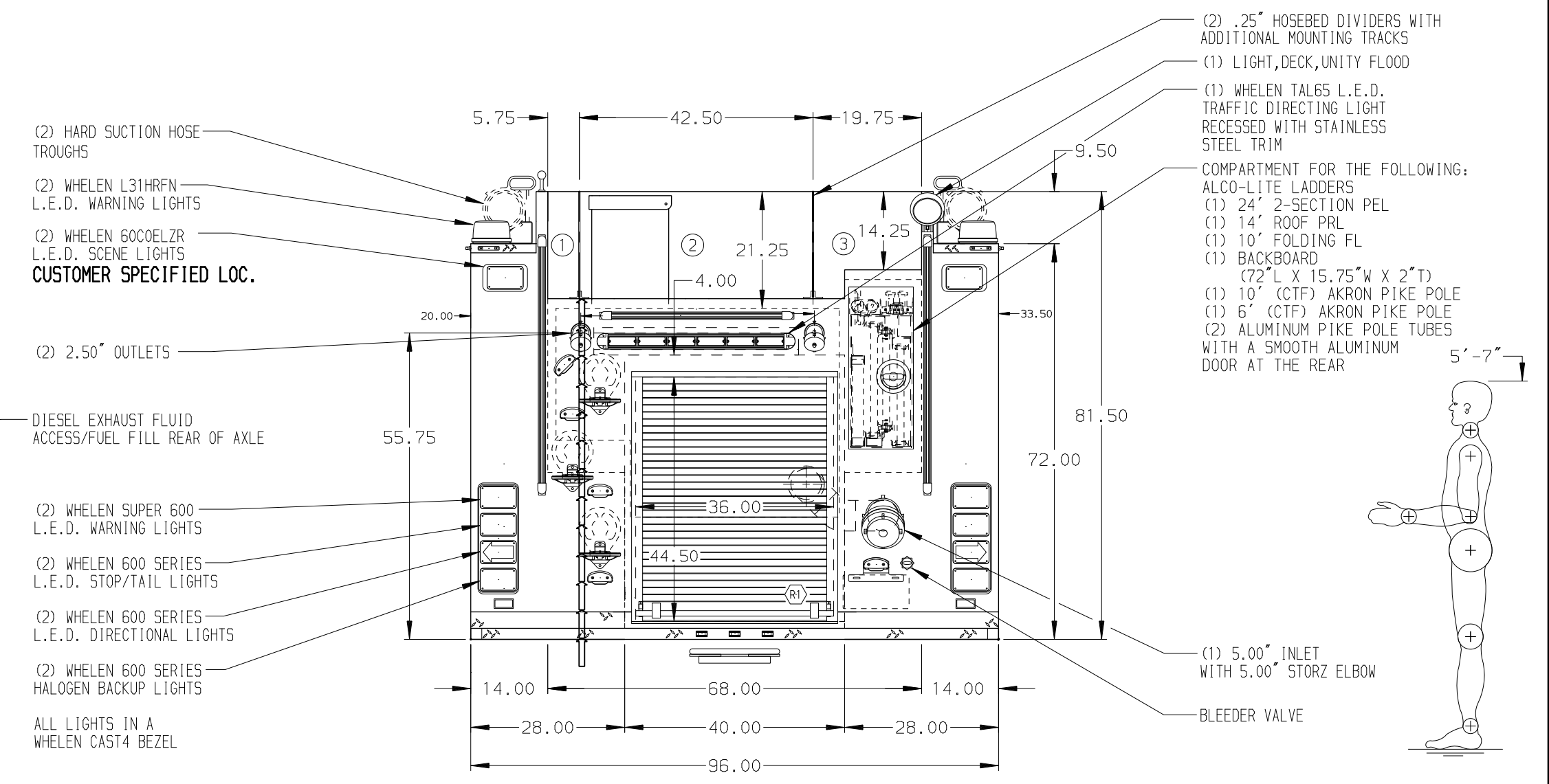


- HOSEBED CAPACITIES
- ① 300' OF 2.50" D.J. POLY HOSE
 - ② 1400' OF 5.00" D.J. POLY HOSE
 - ③ 950' OF 2.50" D.J. POLY HOSE



GALVANNEAL

SIDE ROLL PROTECTION

NOTE
 DIMENSIONS SHOWN ARE APPROXIMATE AND ARE SUBJECT TO MINOR DEVIATIONS AS MAY OCCUR OR BE NECESSARY IN CONSTRUCTION. MINOR DETAILS NOT SHOWN.

CHASSIS DATA	TITLE	1500-D-750P, 152", FULL HEIGHT, FDLER D.S. & P.S. (3) X-LAYS, DELUGE	JOB NO.	31921 01-02
MAKE	FOR	CHARLESTON FIRE DEPARTMENT CHARLESTON, SOUTH CAROLINA	SCALE	1:24 DATE
MODEL	DWG NO.	31921AD	DRAWN BY	JWO 24JAN18
SABER FR	CHECKED BY	CDU 26JAN18	SHEET SIZE	D SHEET NO.
REV	DATE	BY	CH	1 OF 1