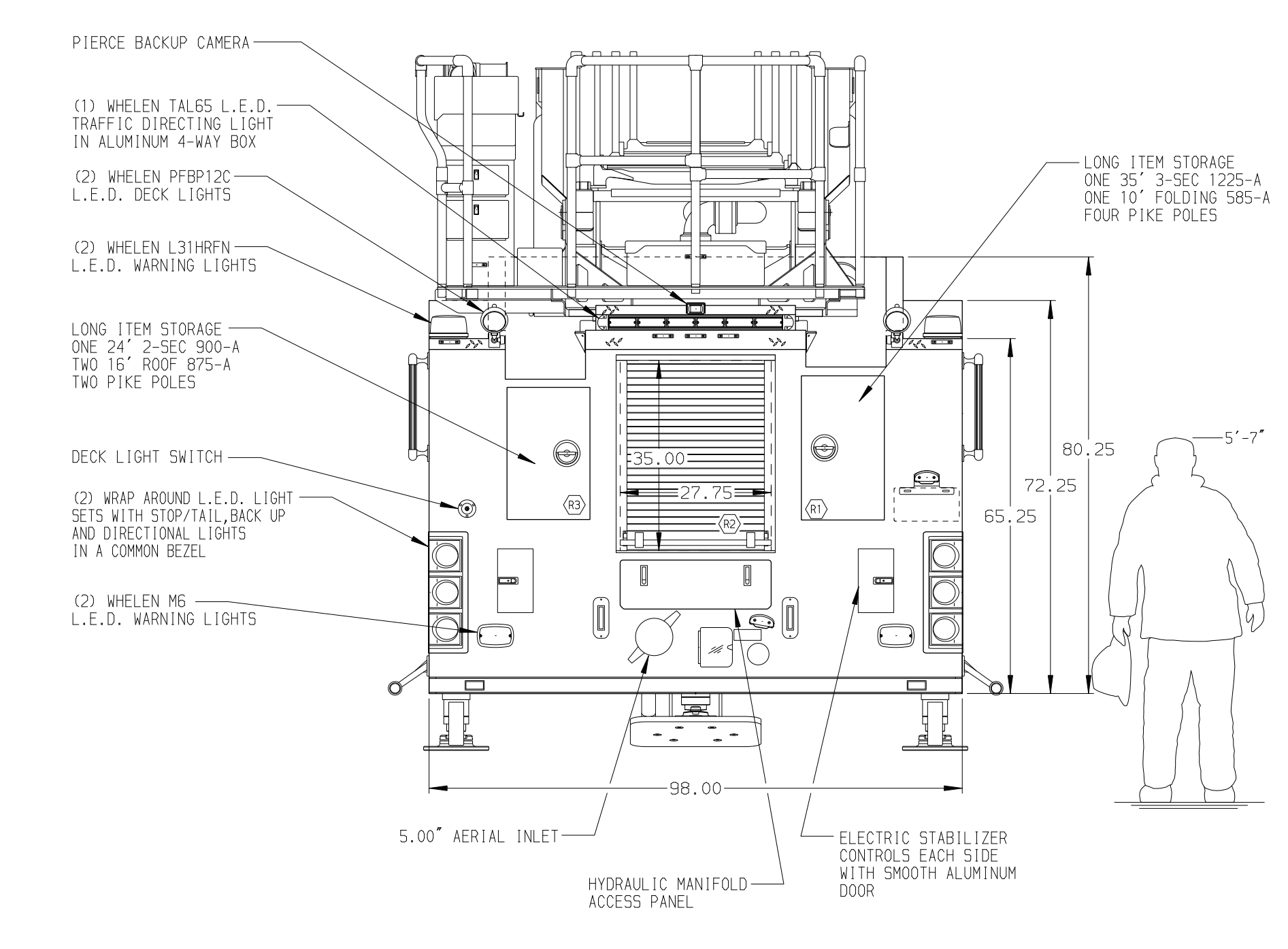


<p>BODY</p> <p>107' ASL Aluminum Body</p> <p>COMPT, DRIVER SIDE FRONT</p> <p>Full Height RollUp Forward</p> <p>COMPT, DRIVER SIDE REAR</p> <p>Full Height RollUp Rearward</p> <p>COMPT, PASSENGER SIDE FRONT</p> <p>Full Height RollUp Forward</p> <p>COMPT, PASSENGER SIDE REAR</p> <p>Full Height RollUp Rearward</p>	<p>WATER TANK</p> <p>500 Gallon Poly Water Tank</p> <p>Foam System</p> <p>Husky 3 Single Agent Foam System</p> <p>Foam Cell</p> <p>20 Gallon Foam Cell, Non-Reduced Water</p>
--	--



<p>CHASSIS</p> <p>Impel Chassis</p> <p>ENGINE</p> <p>450 HP Cummins L9 Engine</p>	<p>CAB</p> <p>7010 Notched Impel FR Cab</p> <p>BUMPER</p> <p>19" Extended Stainless Steel</p>	<p>AXLE, FRONT, CUSTOM</p> <p>22,800 Lb TAK-4 Axle</p> <p>AXLE, REAR</p> <p>33,500 Lb Meritor Axle</p>	<p>TRANSMISSION</p> <p>Allison 5th Gen, 3000 EV5 P</p>	<p>PUMPHOUSE</p> <p>52" Control Zone Side Mount PUMP</p> <p>2000 GPM Waterous CSU</p>	<p>CROSSLAYS, 1.50"</p> <p>(2) 1.50" Standard Capacity</p> <p>CROSSLAYS, 2.50"</p> <p>(1) 2.50" Standard Capacity</p>	<p>SPEEDLAYS</p> <p>Speedlays Not Required</p> <p>GENERATOR</p> <p>Harrison 6kW MSV Hydraulic</p>	<p>SAFETY</p> <p>Side Roll and Frontal Impact Protection</p>	<p>CUSTOMER APPROVAL</p> <p>APPROVED BY: _____</p> <p>DATE: _____</p>	<p>Pierce MANUFACTURING INC.</p>	<p>JOB NO. 31925</p> <p>SCALE 1:24</p> <p>DATE</p>			
<p>NOTE</p> <p>DIMENSIONS SHOWN ARE APPROXIMATE AND ARE SUBJECT TO MINOR DEVIATIONS AS MAY OCCUR OR BE NECESSARY IN CONSTRUCTION. MINOR DETAILS NOT SHOWN.</p>										<p>1. ONE 1.50" OUTLET WITH 2.00" PIPING AND SWIVEL LOCATED IN CENTER BUMPER TRAY</p> <p>2. SHORELINE RECEPTACLE WITH KUSSMAUL SUPER AUTO-EJECT LOCATED ON DRIVER SIDE OF THE CAB</p> <p>3. AIR INLET WITH DISCONNECT COUPLING IN THE DRIVER SIDE STEPWELL</p> <p>4. BATTERY CHARGER LOCATED BEHIND DRIVER'S SEAT</p> <p>5. BATTERY CHARGE INDICATOR LOCATED ON DRIVER SIDE OF THE CAB</p> <p>6. SIX ADJUSTABLE SHELVES IN COMPARTMENTS PER SHOP ORDER</p> <p>7. FOUR FLOOR MOUNTED SLIDE-OUT TRAYS IN COMPARTMENTS PER SHOP ORDER</p> <p>8. CIRCUIT BREAKER PANEL IN COMPARTMENT D3</p> <p>9. NON-RAISED AERIAL PEDESTAL</p>	<p>10. 1500 GPM HIGH FLOW WATERWAY</p> <p>11. AC POWER TO AERIAL TIP</p>	<p>TITLE 107' ASCENDANT AERIAL LADDER AND BODY ASSEMBLY</p> <p>MAKE PIERCE</p> <p>MODEL IMPEL</p> <p>DWG NO. 31925AD</p>	<p>DRAWN BY TKA</p> <p>CHECKED BY THS</p> <p>SHEET SIZE D</p> <p>SHEET NO. 1 OF 1</p>