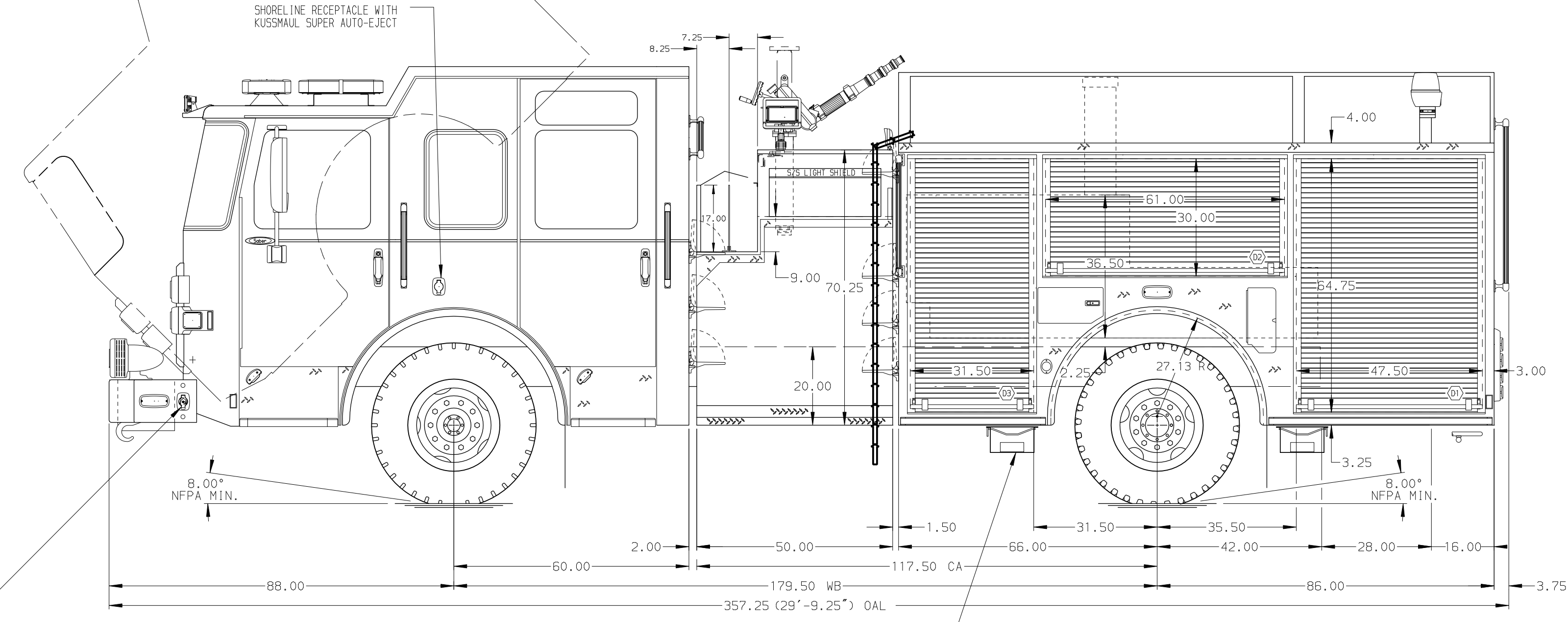


- HOSEBED CAPACITIES**
- ① 500' OF 2.50" D.J. HOSE
 - ② 500' OF 3.00" D.J. HOSE
 - ③ 700' OF 5.00" D.J. HOSE
 - ④ 350' OF 1.75" D.J. HOSE
 - ⑤ 350' OF 1.75" D.J. HOSE

SURFACE DESIGNATION AND PATHWAY MARKINGS



ALUMINUM BODY

MAXIMUM O.A.H. 113.00"

NOTE
DIMENSIONS SHOWN ARE APPROXIMATE AND ARE SUBJECT TO MINOR DEVIATIONS AS MAY OCCUR OR BE NECESSARY IN CONSTRUCTION. MINOR DETAILS NOT SHOWN.

CUSTOMER APPROVAL				Pierce MANUFACTURING INC.		JOB NO.	31960
APPROVED BY: _____						SCALE	1:24
DATE: _____						DATE	
CHASSIS DATA		TITLE	1500-D-500P 152" BODY DS FH FRONT & REAR FDLR, PS LOW				
MAKE		FOR	(2) CROSSLAYS, LADDERS ON SIDE, DELUGE				
PIERCE		FOR	TOWNSHIP OF MONTCLAIR MONTCLAIR, NEW JERSEY				
MODEL		DWG NO.	31960AD				
REV	DATE	BY	CH	SABER FR		SHEET NO.	1 OF 1