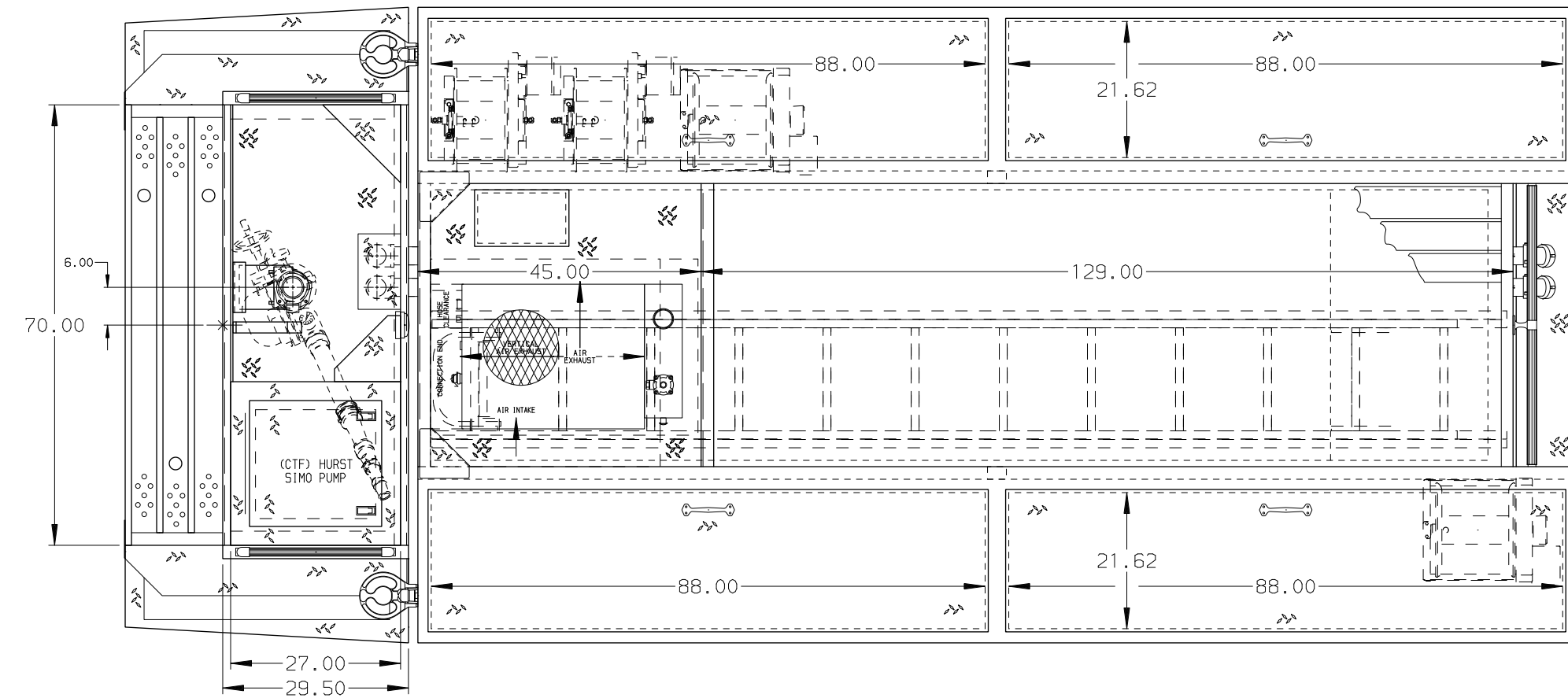
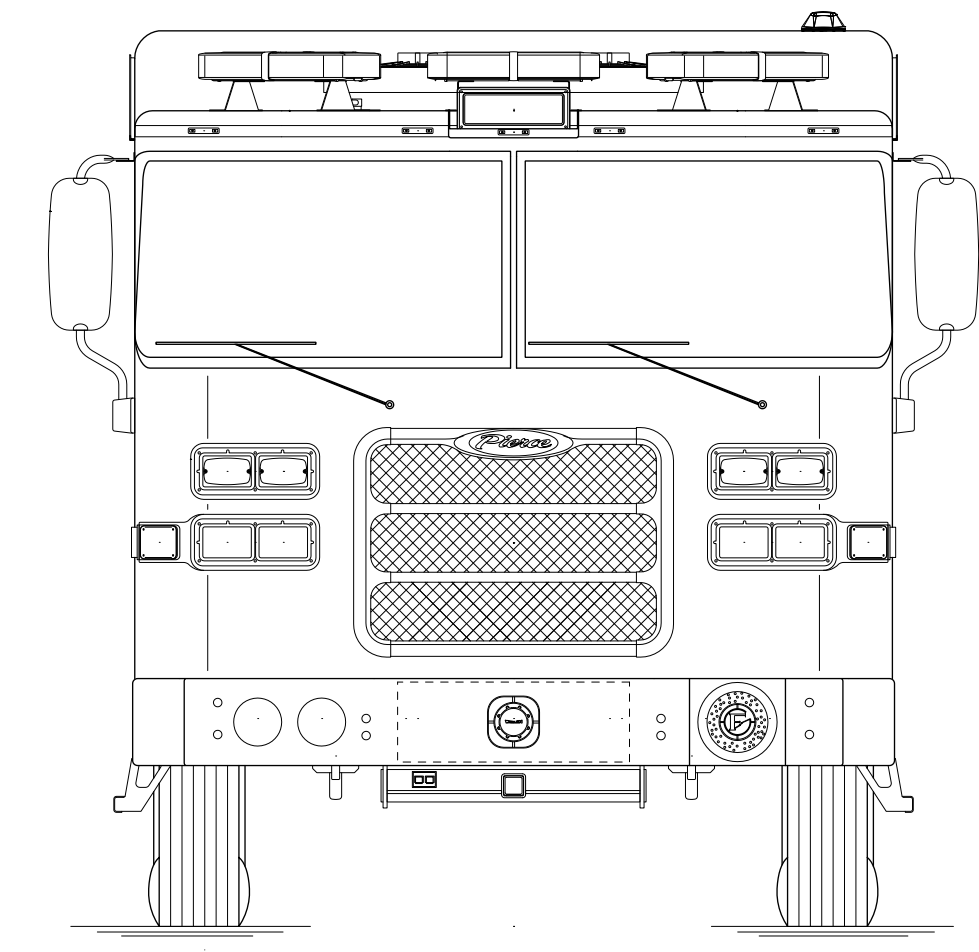
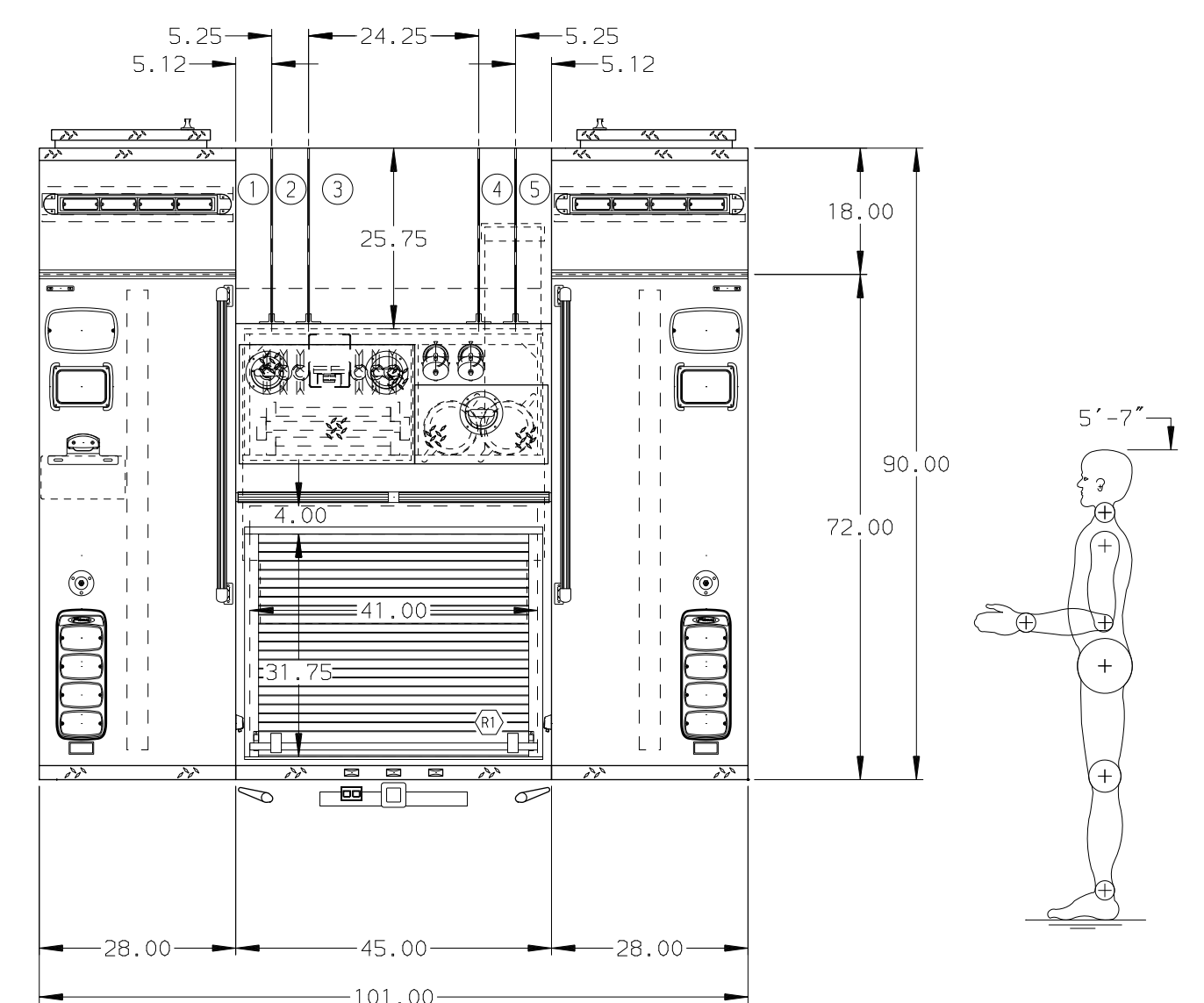
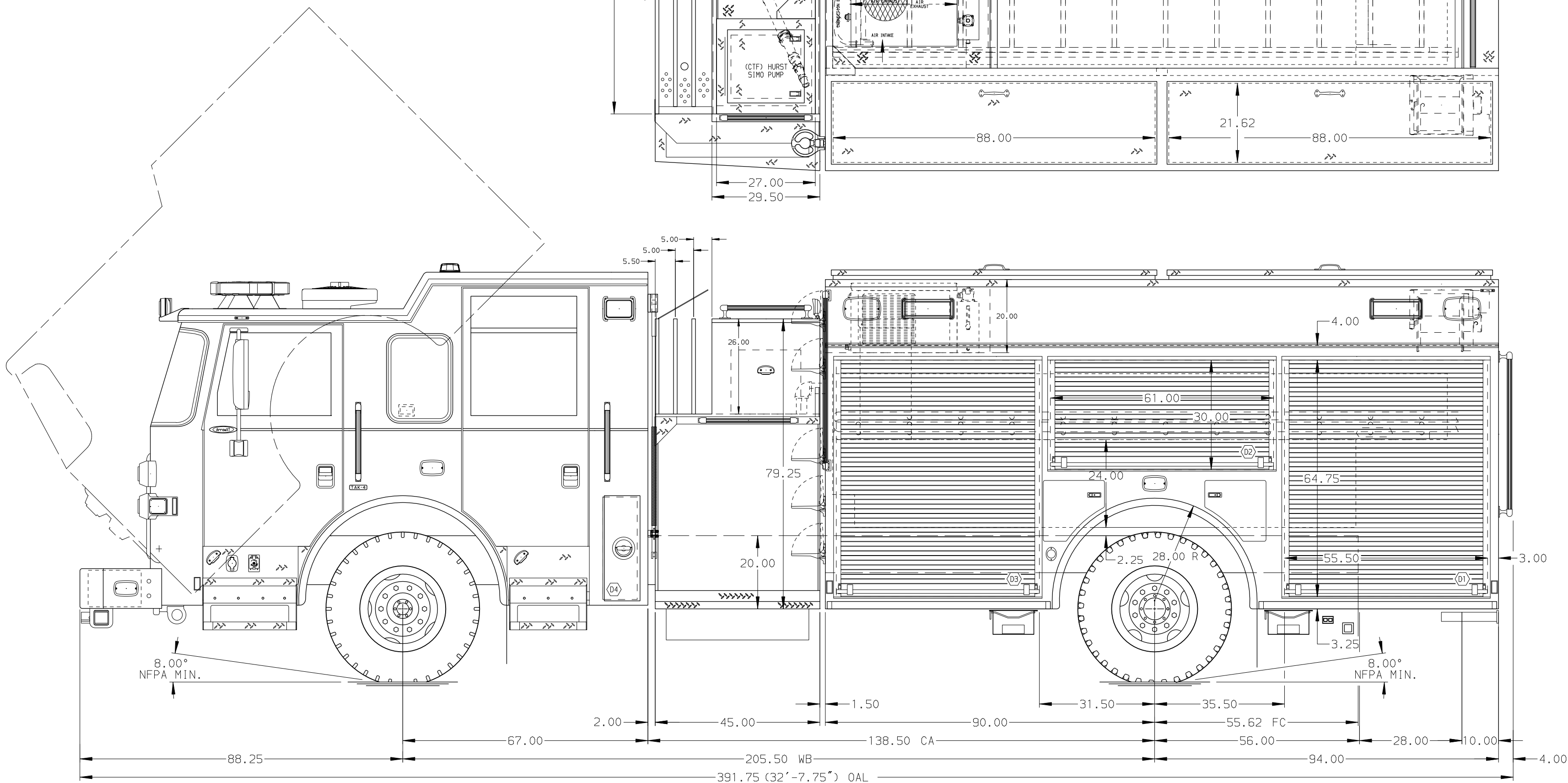


118.00
(9'-10")
APPROX
O.A.H.



- HOSEBED CAPACITIES
- ① 200' OF 2.50" D.J. HOSE
 - ② 200' OF 2.50" D.J. HOSE
 - ③ 1000' OF 5.00" D.J. HOSE
 - ④ 200' OF 2.50" D.J. HOSE
 - ⑤ 200' OF 2.50" D.J. HOSE



ALUMINUM BODY

FRONTAL IMPACT PROTECTION

NOTE
DIMENSIONS SHOWN ARE APPROXIMATE
AND ARE SUBJECT TO MINOR DEVIATIONS
AS MAY OCCUR OR BE NECESSARY IN
CONSTRUCTION.
MINOR DETAILS NOT SHOWN.

CUSTOMER APPROVAL				
APPROVED BY:				
DATE:				
REV	DATE	BY	CH	ARROW XT

Pierce MANUFACTURING INC.

TITLE: 2000-D-500 GAL POLY, 184" HDRP BODY, SIDE CONTROL
(3) XLAYS, EQUIP. RACK, DELUGE, GENERATOR, REELS
FOR: CITY OF BRIDGETON FIRE DEPARTMENT
BRIDGETON, NEW JERSEY
DWG NO.: 31971AD

JOB NO.	31971
SCALE	1:24
DATE	
DRAWN BY	MMF
CHECKED BY	AJA
SHEET NO.	1 OF 2