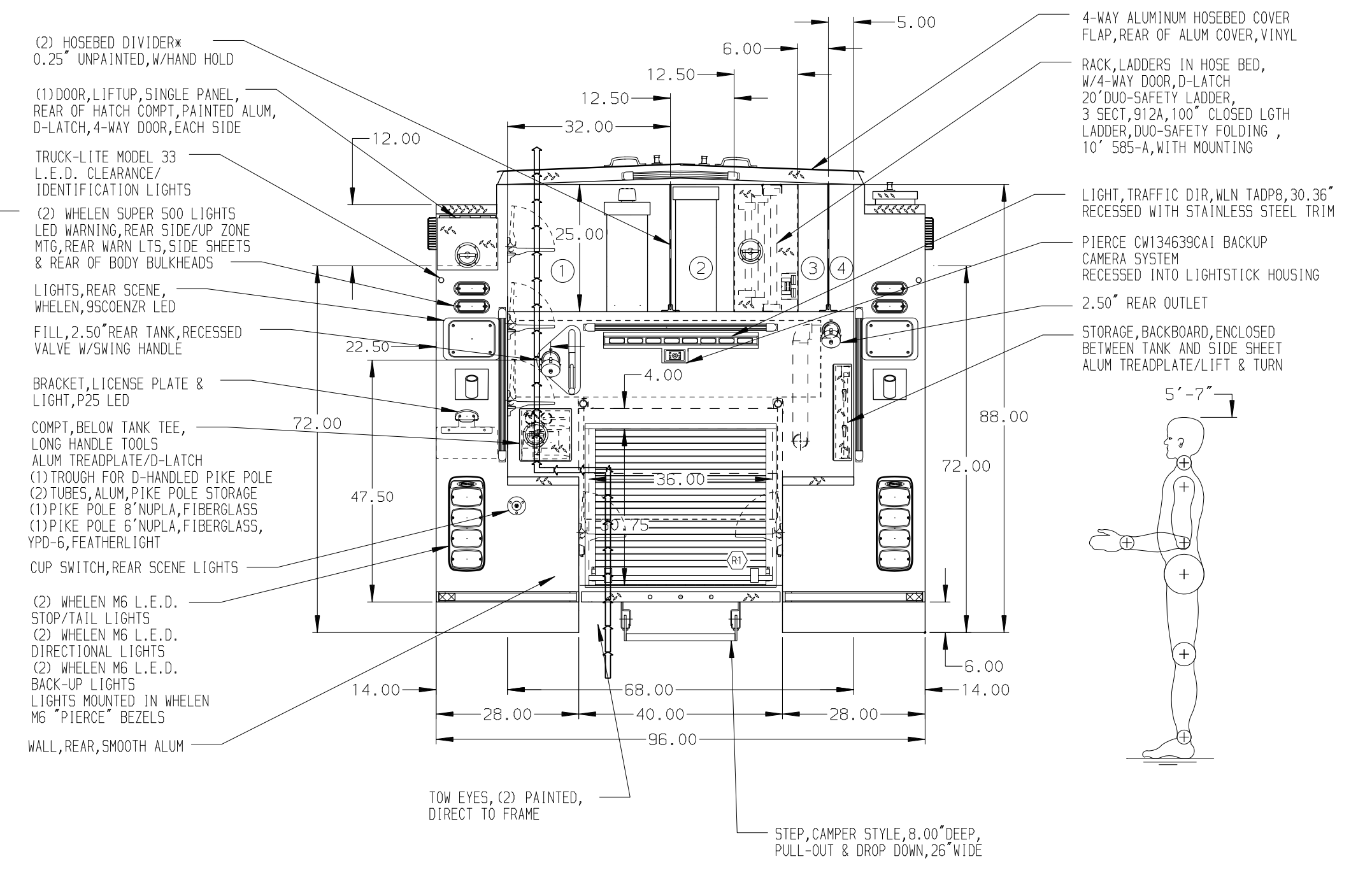
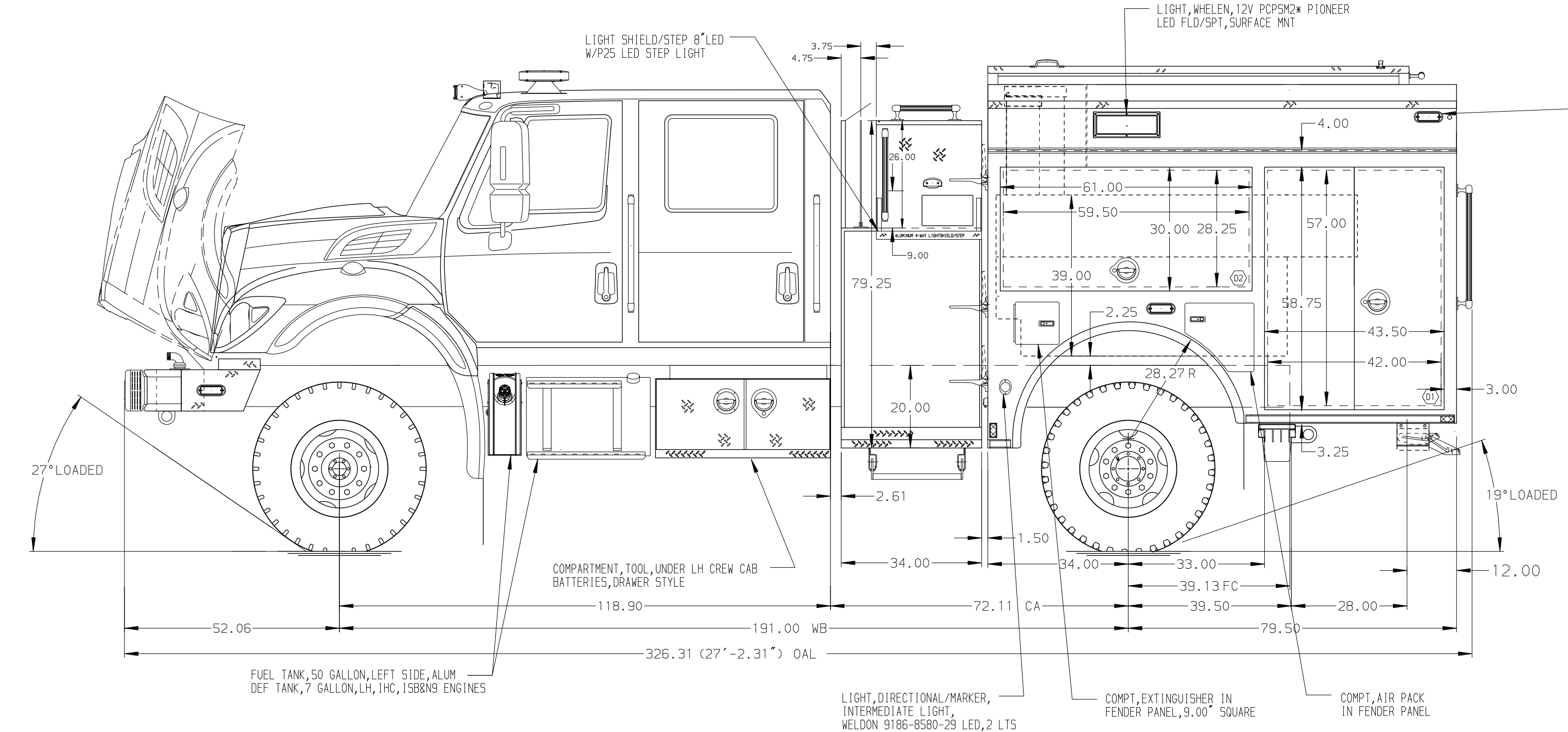


- HOSEBED CAPACITIES**
- 500' OF 5.00" D.J. POLYESTER HOSE
 - 300' OF 3.00" D.J. POLYESTER HOSE
 - 150' OF 2.50" D.J. POLYESTER HOSE
 - 100' OF 1.50" (2) BUNDLE PACKS



ALUMINUM BODY

NOTE
DIMENSIONS SHOWN ARE APPROXIMATE AND ARE SUBJECT TO MINOR DEVIATIONS AS MAY OCCUR OR BE NECESSARY IN CONSTRUCTION. MINOR DETAILS NOT SHOWN.

<p>MANUFACTURING INC. BRADENTON, FLORIDA</p>		JOB NO.	31988																		
		SCALE	DATE																		
<table border="1"> <tr> <td>10MAY18</td> <td>JLA</td> <td>NAS</td> <td>MAKE</td> </tr> <tr> <td>11APR18</td> <td>JLA</td> <td>NAS</td> <td>IHC</td> </tr> <tr> <td>21DEC17</td> <td>JLA</td> <td>RWI</td> <td>MODEL HV 4X4</td> </tr> <tr> <td>REV</td> <td>DATE</td> <td>BY</td> <td>CH</td> </tr> </table>	10MAY18	JLA	NAS	MAKE	11APR18	JLA	NAS	IHC	21DEC17	JLA	RWI	MODEL HV 4X4	REV	DATE	BY	CH	TITLE	1000-D-500 POLY, 20 FOAM, 114" BODY DS&PS FULL HGT 34" SIDE CONTROL, (2) CROSSLAYS, 6" RAISED REAR	DRAWN BY	JLA	27NOV17
	10MAY18	JLA	NAS	MAKE																	
11APR18	JLA	NAS	IHC																		
21DEC17	JLA	RWI	MODEL HV 4X4																		
REV	DATE	BY	CH																		
FOR	NEVADA COUNTY CONSOLIDATION FIRE PROTECTION DIST. GRASS VALLEY, CALIFORNIA	CHECKED BY	RWI	29NOV17																	
DWG NO.	31988AD	SHEET SIZE	D	SHEET NO.	1 OF 1																