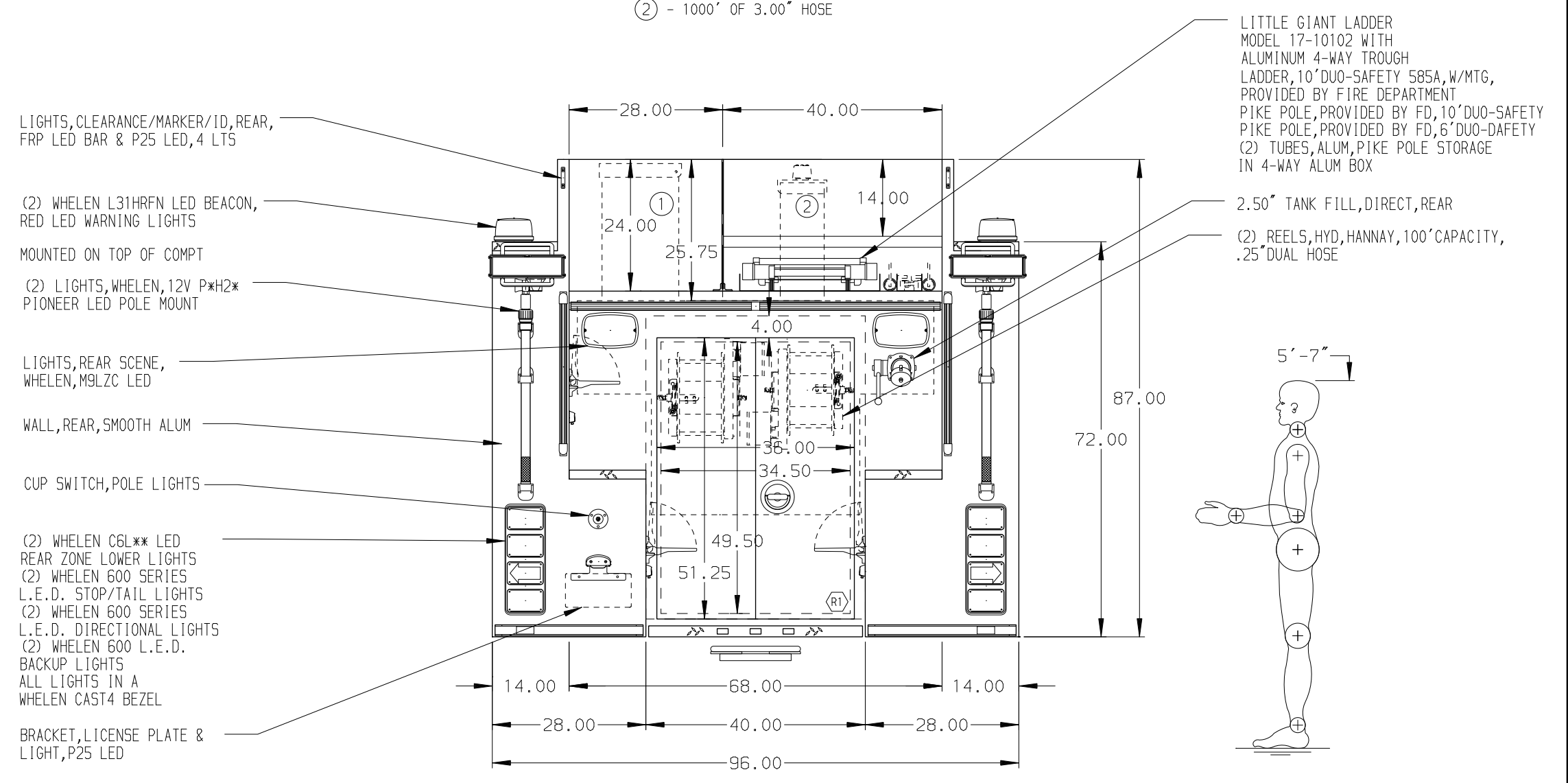
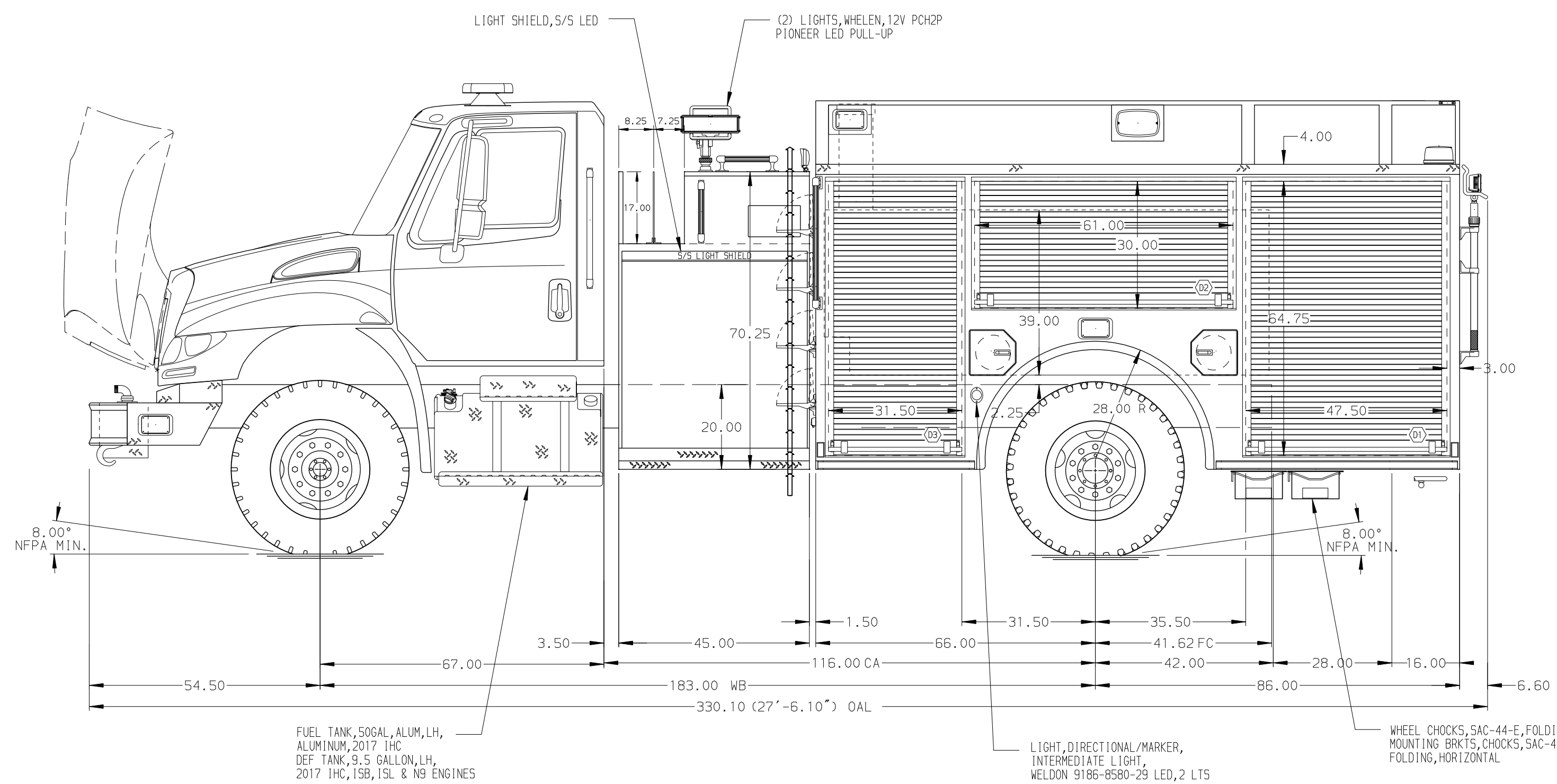


HOSEBED CAPACITIES

① - 900' OF 5.00" HOSE

② - 1000' OF 3.00" HOSE



ALUMINUM BODY

NOTE
DIMENSIONS SHOWN ARE APPROXIMATE AND ARE SUBJECT TO MINOR DEVIATIONS AS MAY OCCUR OR BE NECESSARY IN CONSTRUCTION. MINOR DETAILS NOT SHOWN.

		JOB NO.	32065
		DATE	29NOV17
MANUFACTURING INC. APPLETON, WISCONSIN		SCALE	1:24
		DRAWN BY	JLA
TITLE 750-D-750P, 20GAL FOAM, 152" FULL HGHT FT&RR, FDLR 45" SIDE CONTROL, (2) 1.5" CROSSLAYS		FOR	WARD 7 VOLUNTEER FIRE DEPARTMENT VINTON, LOUISIANA
		CHCK'D BY	RWI
MODEL 4300		SHEET NO.	1 OF 1
		SHEET SIZE	D
DRWG. NO.	32065AD		