

**PUMPER  
BODY**

Medium Aluminum 2nd Gen Pumper

**CHASSIS**

Sober FR Chassis

**CHASSIS**

**AXLE, FRONT, CUSTOM**

16,000 Lb Dana Axle

**AXLE, REAR**

24,000 Lb Dana Axle

**ENGINE**

330 HP Ford Powerstroke Engine

**TRANSMISSION**

Ford Torq Shift

**BUMPER**

19" Extended Stainless Steel

**CAB**

6010 Sober FR Cab

**BODY**

**WATER TANK**

1000 Gallon Poly Water Tank

**COMPT, PUMPER, REAR**

51.25" FF RollUp Rear Compt

**COMPT, PUMPER, DRIVER SIDE**

152" RollUp Full Height Front & Rear FDLR

**COMPT, PUMPER PASS. SIDE**

152" RollUp Full Height Front & Rear FDLR

**FIRE SUPPRESSION  
PUMPHOUSE**

45" Control Zone Side Mount

**PUMP**

1250 GPM Hale D5D

**CROSSLAYS, 1.50"**

(2) 1.50" Standard Capacity

**CROSSLAYS, 2.50"**

2.50" Crosslay Not Required

**SPEEDLAYS**

Speedlays Not Required

**GENERATOR**

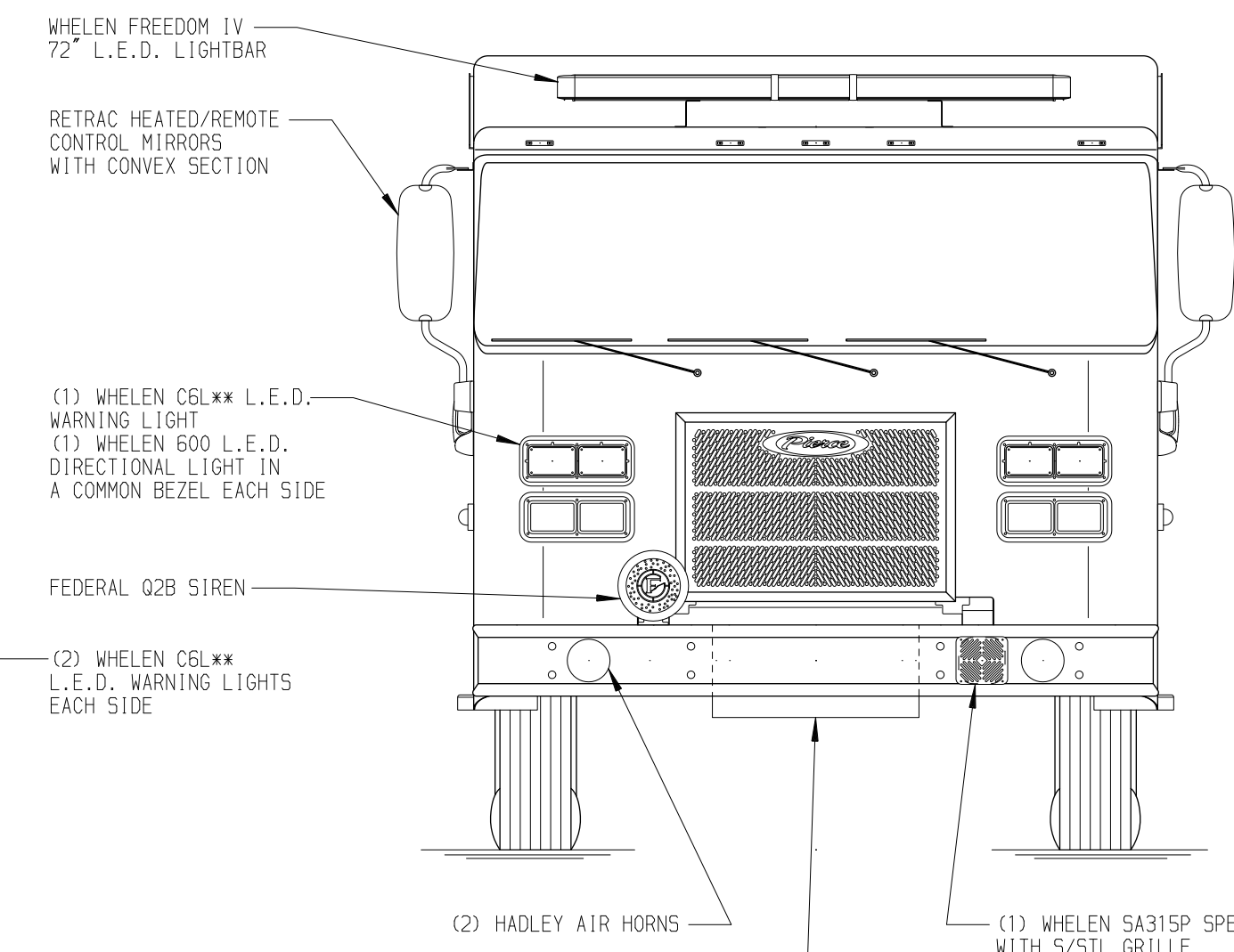
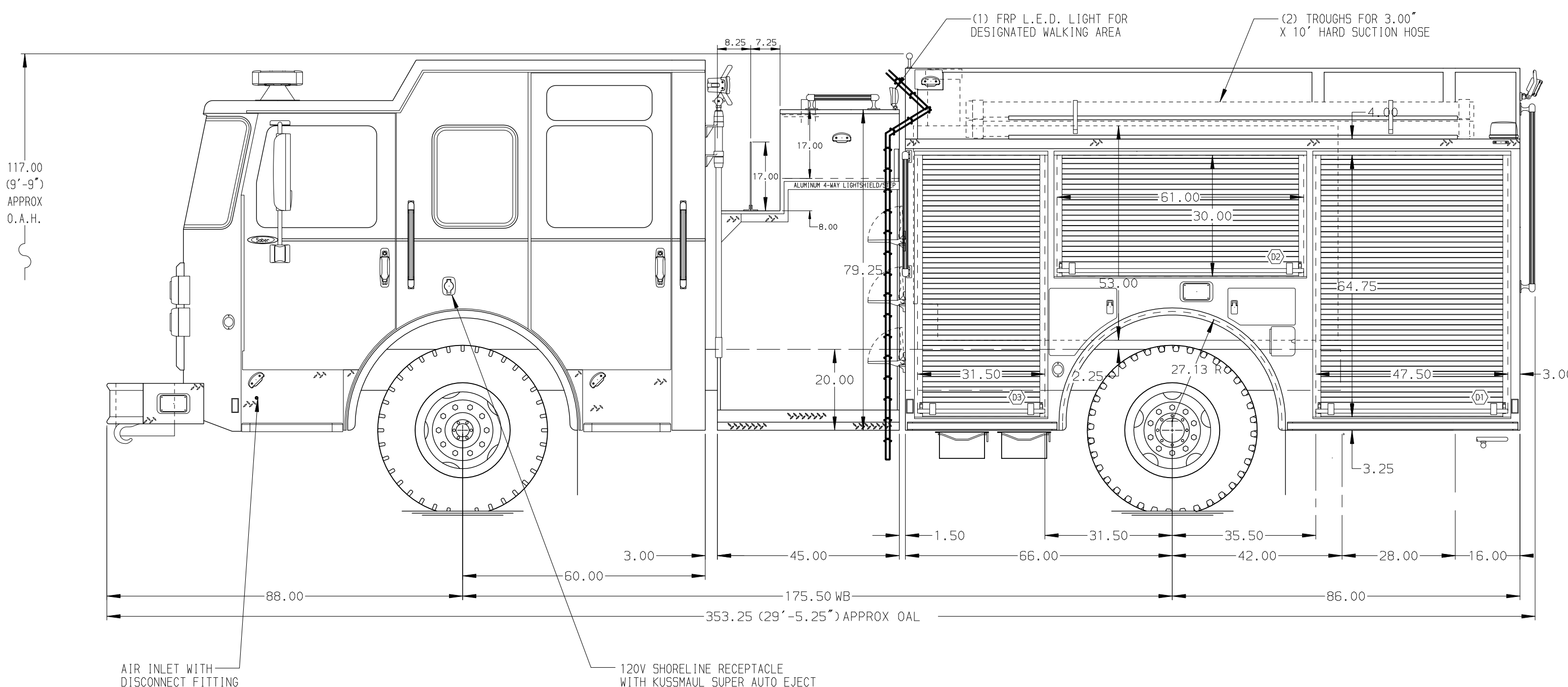
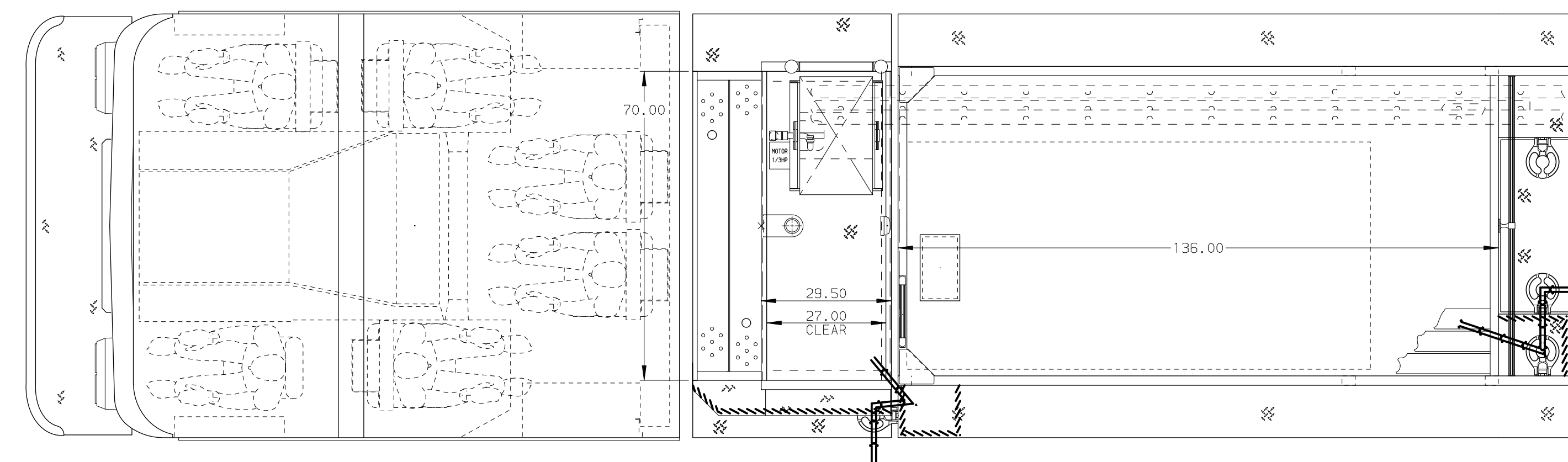
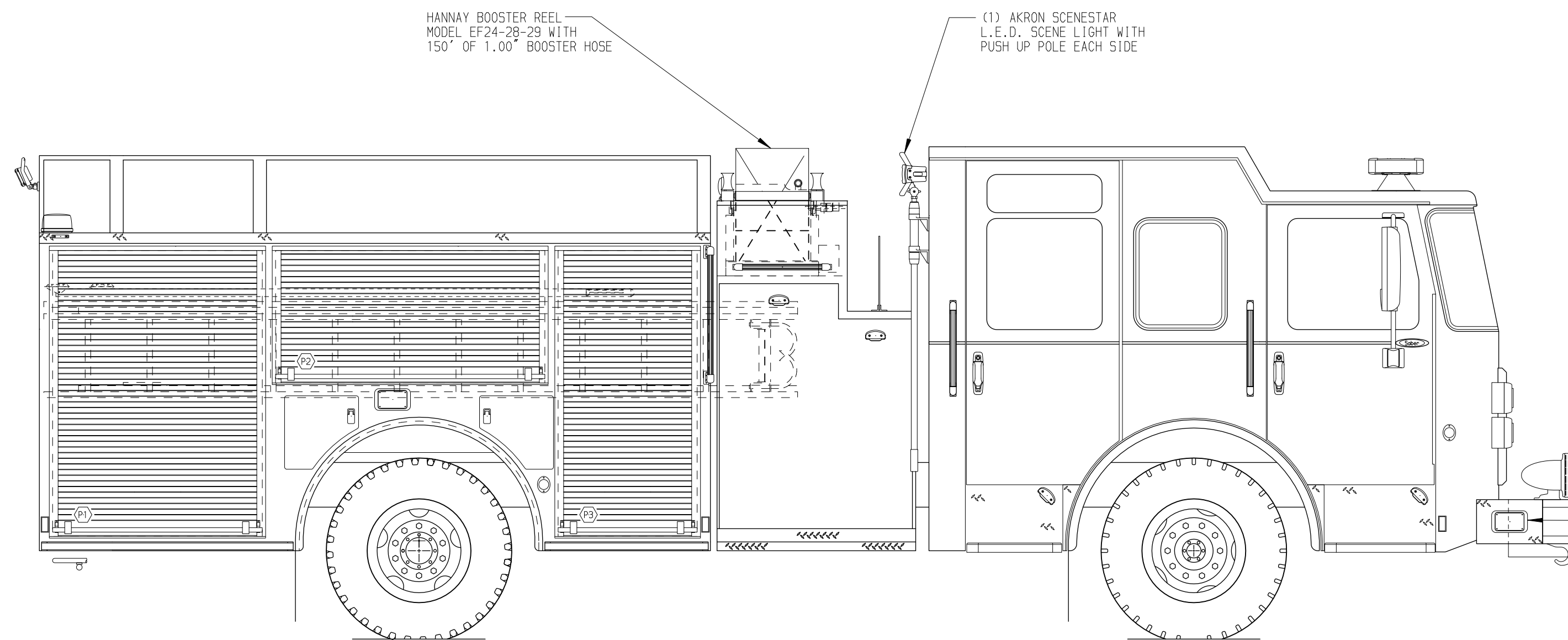
Generator Not Required

**Foam System**

Foam System Not Required

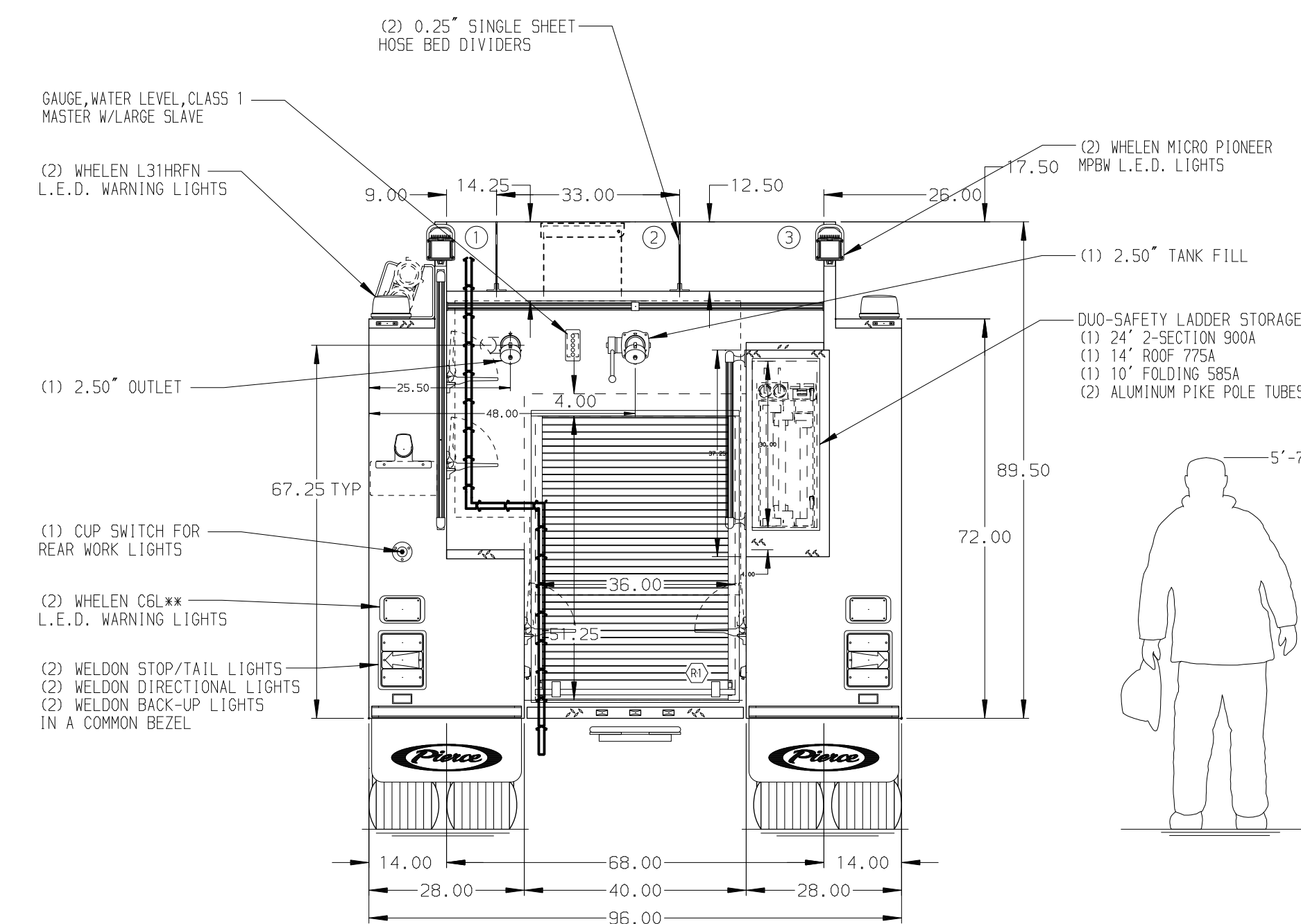
**Foam Cell**

Foam Cell Not Required



**HOSEBED CAPACITY**

<b>BED 1</b>	200' OF 2.50" D.J. POLY HOSE
<b>BED 2</b>	600' OF 4.00" D.J. POLY HOSE
<b>BED 3</b>	600' OF 3.00" D.J. POLY HOSE



**NOTE**  
DIMENSIONS SHOWN ARE APPROXIMATE  
AND ARE SUBJECT TO MINOR DEVIATIONS  
AS MAY OCCUR OR BE NECESSARY IN  
CONSTRUCTION.  
MINOR DETAILS NOT SHOWN.

						JOB NO.	32087
						SCALE	1:24
						DATE	
				TITLE Pierce Pumper Approval Drawing CHASSIS DATA - MAKE PIERCE MODEL - SABER FR		DRAWN BY	COL
				FOR Lafayette County		CHECKED BY	KBO
				DWG NO. 32087AD		SHEET NO.	1 OF 1
REV	DATE	BY	CH				
20FEB18		RWI	JAF				