

**PASSENGER'S SIDE COMPARTMENTS CONTAIN THE FOLLOWING:**

**COMPARTMENT P1 CONTAINS:**

- (1) STD DEPTH ADJ SLIDE OUT TRAY
- (1) STD DEPTH FLOOR MOUNTED TRAY
- (1) STD DEPTH ADJ SHELF

**COMPARTMENT P2 CONTAINS:**

- (1) STD DEPTH ADJ SLIDE OUT/TILT TRAY
- (1) RACK FOR 4 SCBA BOTTLES

**COMPARTMENT P3 CONTAINS:**

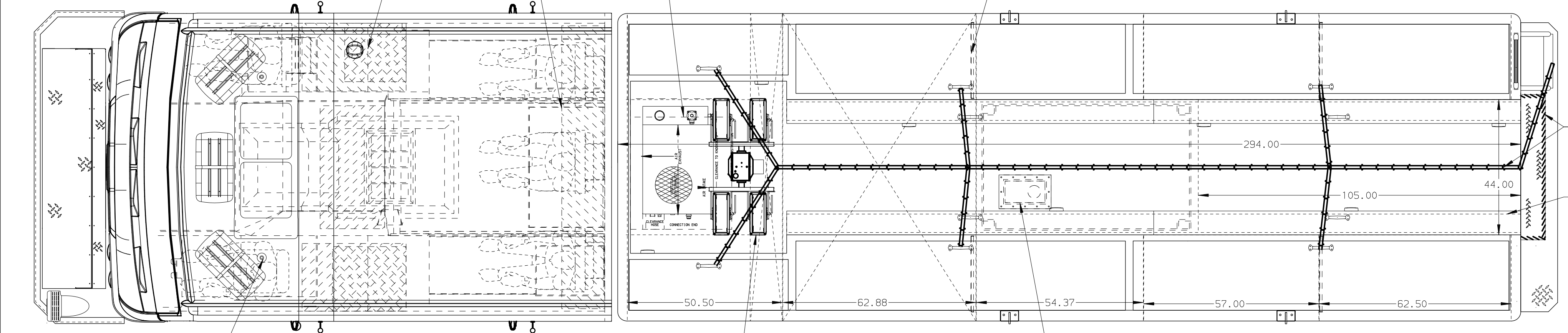
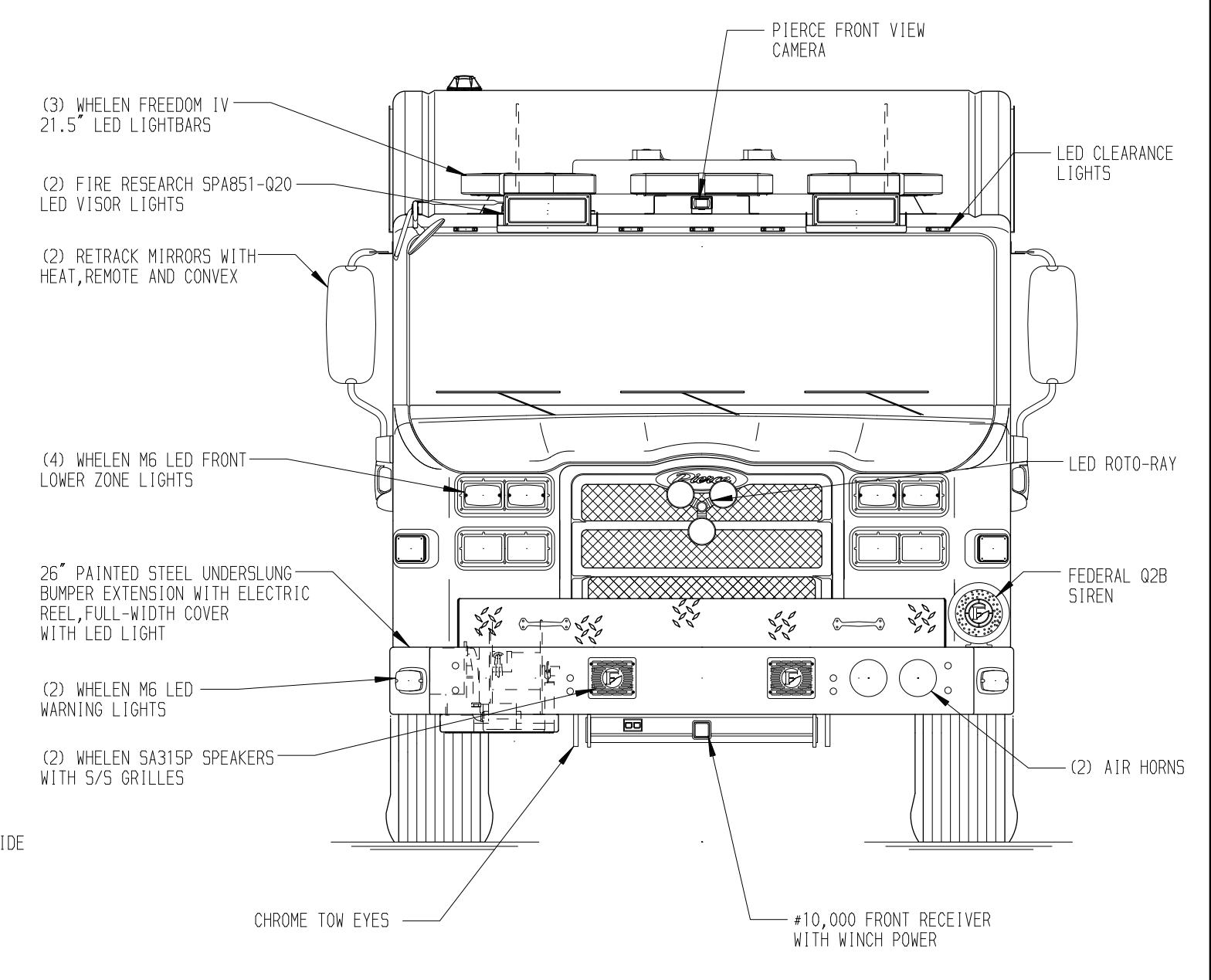
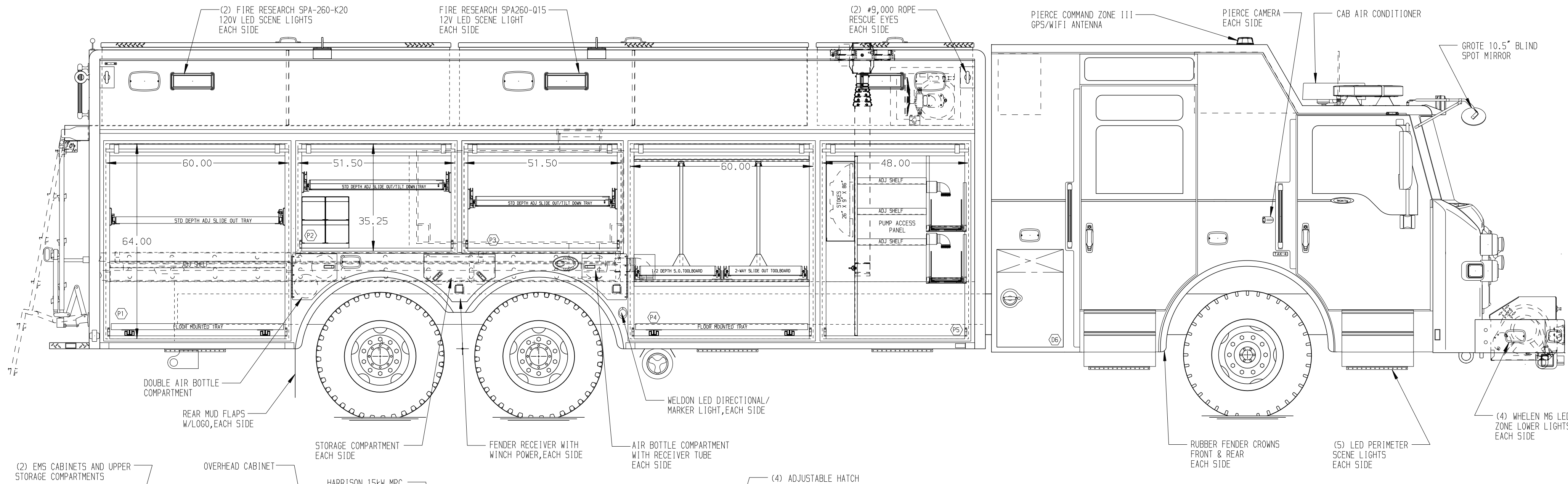
- (1) STD DEPTH ADJ SLIDE OUT/TILT TRAY

**COMPARTMENT P4 CONTAINS:**

- (1) 2-WAY FLOOR MTD SLIDE OUT TRAY WITH TOOLBOARD
- (1) 1/2 DEPTH FLOOR MTD SLIDE OUT TRAY WITH TOOLBOARD
- (1) HORIZONTAL FLOOR EXTENSION
- (1) STD DEPTH FLOOR MOUNTED TRAY

**COMPARTMENT P5 CONTAINS:**

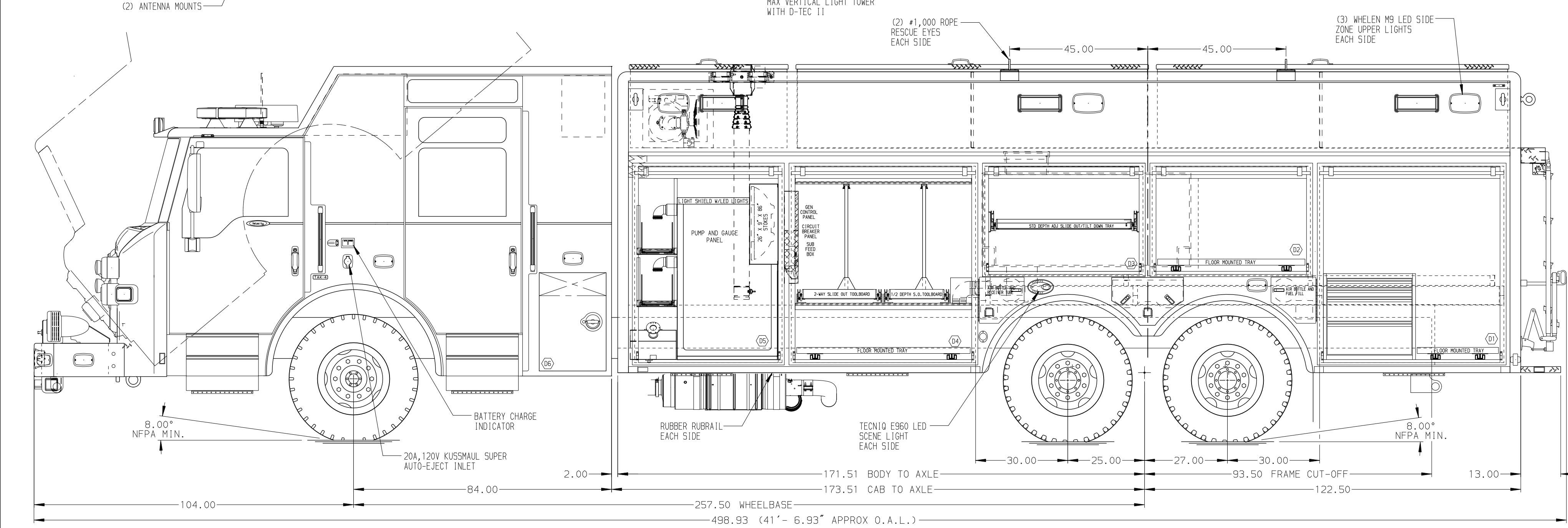
- (3) STD DEPTH ADJ SHELVES
- (2) SPEEDLAYS W/200" OF 1.75" HOSE
- (1) VERTICAL COMPARTMENT DIVIDER
- (1) STOKES BASKET RACK



**REAR COMPARTMENT CONTAINS THE FOLLOWING:**

**COMPARTMENT R1 CONTAINS:**

- (1) 90° DP ADJ SLIDE OUT TRAY WITH DIVIDER
- (1) STD DEPTH FLAT TOP SLIDE OUT TRAY
- (1) HORIZONTAL FLOOR EXTENSION
- (1) RACK FOR THE FOLLOWING:
  - (1) 24'-2-SECTION LADDER
  - (1) 14' ROOF LADDER
  - (1) 14'x10'x99\"/>



**DRIVER'S SIDE COMPARTMENTS CONTAIN THE FOLLOWING:**

**COMPARTMENT D1 CONTAINS:**

- (1) STD DEPTH FLOOR MOUNTED TRAY
- (1) 4-DRAWER C-TECH CABINET

**COMPARTMENT D2 CONTAINS:**

- (1) STD DEPTH FLOOR MOUNTED TRAY

**COMPARTMENT D3 CONTAINS:**

- (1) STD DEPTH ADJ SLIDE OUT/TILT TRAY

**COMPARTMENT D4 CONTAINS:**

- (1) 2-WAY FLOOR MTD SLIDE OUT TRAY WITH TOOLBOARD
- (1) 1/2 DEPTH FLOOR MTD SLIDE OUT TRAY WITH TOOLBOARD
- (1) HORIZONTAL FLOOR EXTENSION
- (1) CIRCUIT BREAKER PANEL
- (1) GENERATOR METER PANEL
- (1) SUB FEED BOX
- (1) LIGHT TOWER CONTROLLER
- (1) STD DEPTH FLOOR MOUNTED TRAY

**COMPARTMENT D5 CONTAINS:**

- (1) KUSSMAUL PUMP PLUS 1200 CHARGER
- (2) SPEEDLAYS W/200" OF 1.75" HOSE
- (1) STOKES BASKET RACK
- (1) DEF FLUID TANK

**NOTE**  
DIMENSIONS SHOWN ARE APPROXIMATE AND ARE SUBJECT TO MINOR DEVIATIONS AS MAY OCCUR OR BE NECESSARY IN CONSTRUCTION. MINOR DETAILS NOT SHOWN.

- NOTES:**
1. PAIR OF FOLDING WHEEL CHOCKS AND BRACKETS SHIPPED WITH LOOSE EQUIPMENT
  2. POLISHED 5/5 SCUFFPLATES ON CAB DOOR JAMBS INCLUDING HANDRAILS
  3. FLOOR IN CAB AND CREW CAB TO BE PADDED RUBBER
  4. STORAGE COMPARTMENT ON TOP OF ENGINE TUNNEL
  5. 15A, 120V 6-PLACE RECEPTACLE STRIPS
  6. AIR INLET WITH DISCONNECT COUPLING LOCATED ON PUMP PANEL
  7. (2) #9,000 RECEIVER STYLE TIE DOWNS SHIPPED LOOSE
  8. 5/5 GUARDS ON ALL ROLL-UP DOORS
  9. PIERCE LED STEP LIGHTS IN ALL BODY AND HATCH COMPARTMENTS
  10. HALE MG-100 1000GPM WATER PUMP

**CLEAR DOOR WIDTH KEY**

AMOR ROLL UP DOORS:	-2 1/4"
GORTITE ROLL UP DOORS:	-2 1/2"
PIERCE DOUBLE LIP DOORS:	-4 1/4"
PIERCE LIFT-UP LAP DOORS:	-1 1/2"

(EX: 60" F-F - 2 1/4" = 57 3/4" CLEAR)  
(F-F) = FRAME TO FRAME

**SIDE ROLL AND FRONTAL IMPACT PROTECTION**

23APR18	DHE	CDK	CHASSIS DATA
17APR18	DHE	CDK	MAKE
16MAR18	DHE	SBR	PIERCE
09MAR18	DHE	SBR	MODEL
02FEB18	DHE	CDK	VXFR8420
REV	DATE	BY	CH

**Pierce MANUFACTURING INC.**

JOB NO. 32090  
SCALE 1:24  
DATE  
DRAWN BY DHE 08JAN18  
CHECKED BY CDK 15JAN18  
SHEET SIZE D SHEET NO. 1 OF 1

TITLE HEAVY DUTY RESCUE NON-WALKIN  
FOR MIFFLIN FIRE DISTRICT MIFFLIN, OH  
DWG NO. 32090AD