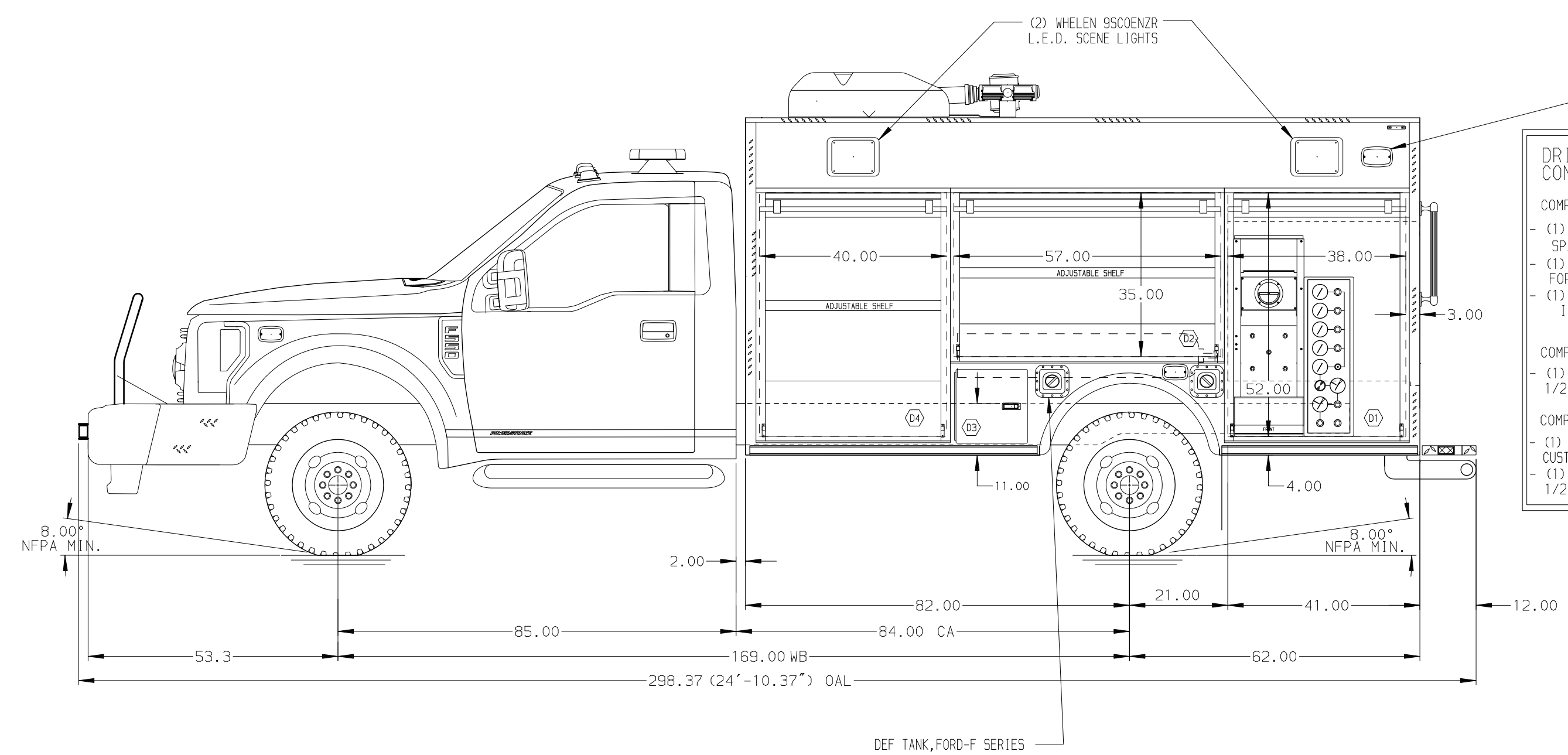


REAR COMPARTMENT R1 CONTAINS THE FOLLOWING:

COMPARTMENT R1 CONTAINS:

- (1) SHELF, ADJUSTABLE, STD. DEPTH OF COMPT
- (1) BREATHING AIR CASCADE SYS,
- (2) UN-6000 STORAGE CYLINDERS
- PROVISIONS FOR (4) AIR CYLINDER STORAGE



DRIVER'S SIDE COMPARTMENTS CONTAIN THE FOLLOWING:

COMPARTMENT D1 CONTAINS:

- (1) FILL ENCLOSURE, BOTTLE SPACE SAVER 400V
- (1) PROVISION FOR BLOW OUT PANEL FOR FILL STATION
- (1) AIR CONTROL PANEL, SPACE SAVER INTEGRAL, BREATHING AIR SYSTEM

COMPARTMENT D2 CONTAINS:

- (1) SHELF, ADJUSTABLE, 1/2 DEPTH OF TRANSVERSE COMPT

COMPARTMENT D4 CONTAINS:

- (1) CIRCUIT BREAKER PANEL, CUSTOMER INSTALLED GENERATOR
- (1) SHELF, ADJUSTABLE, 1/2 DEPTH OF TRANSVERSE COMPT

ALUMINUM BODY

		JOB NO.	32102
		DATE	SCALE 1:24
TITLE	12' RESCUE, NON-WALK IN	06DEC17	DRAWN BY JAF
FOR	FREMONT FIRE DEPARTMENT HORNELL, NEW YORK	08DEC17	CHK'D BY RWI
REV.	DATE BY CHK'D	SHEET NO.	SHEET SIZE
14MAY18	JAF NAS	1 OF 1	D
23MAR18	JAF NAS		
17JAN18	JLA RWI		
CHASSIS DATA	FORD		
CHASSIS	FORD		
MODEL	F-550 4X4		
DRWG. NO.	32102AD		

NOTE  
DIMENSIONS SHOWN ARE APPROXIMATE AND ARE SUBJECT TO MINOR DEVIATIONS AS MAY OCCUR OR BE NECESSARY IN CONSTRUCTION. MINOR DETAILS NOT SHOWN.