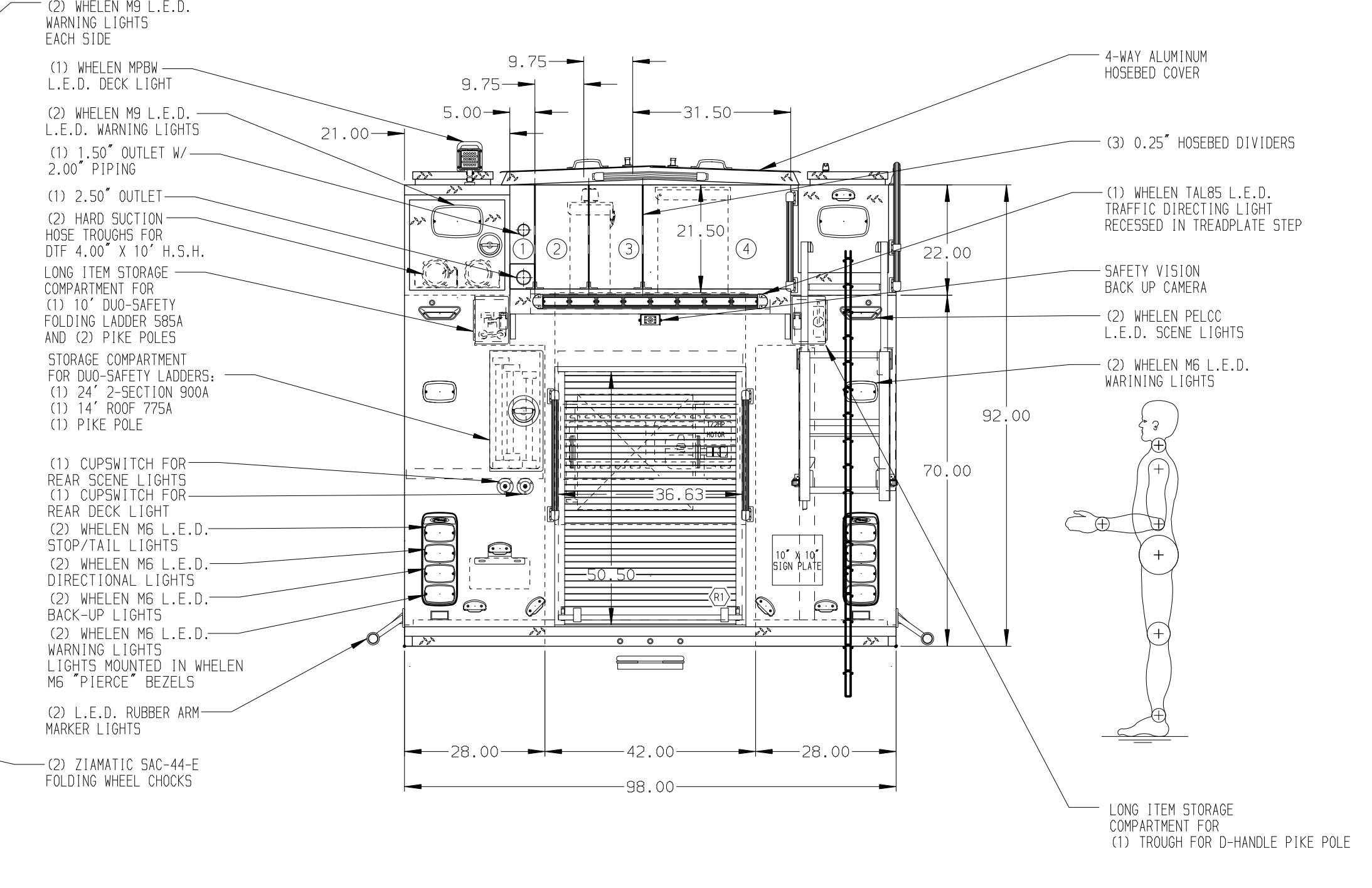
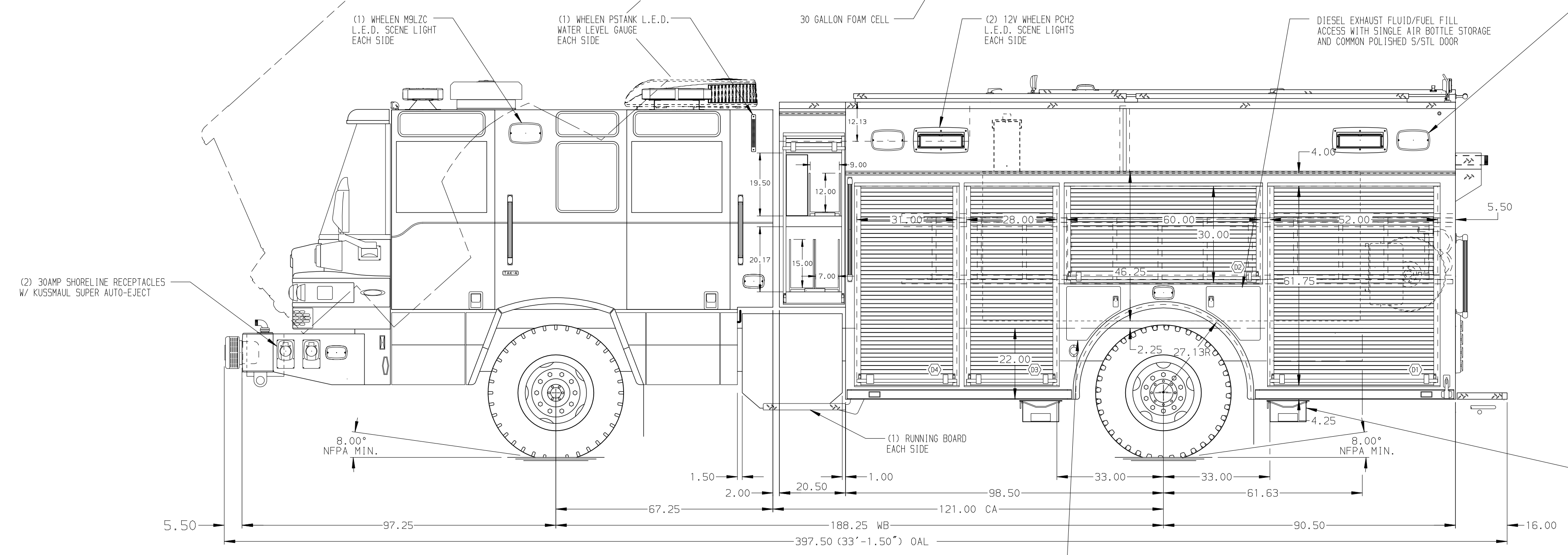


- HOSEBED CAPACITIES
- ① 150' OF 1.75" D.J. POLY HOSE
  - ② 300' OF 2.50" D.J. POLY HOSE
  - ③ 300' OF 2.50" D.J. POLY HOSE
  - ④ 800' OF 4.00" D.J. POLY HOSE



ALUMINUM BODY

FRONTAL IMPACT PROTECTION

**NOTE**  
DIMENSIONS SHOWN ARE APPROXIMATE AND ARE SUBJECT TO MINOR DEVIATIONS AS MAY OCCUR OR BE NECESSARY IN CONSTRUCTION. MINOR DETAILS NOT SHOWN.

- 1. ONE ADJUSTABLE TILTING SLIDE-OUT TRAY IN COMPARTMENT P2
- 2. TWO SLIDE-OUT ALUMINUM TOOL BOARDS IN COMPARTMENT P3
- 3. ONE SWING-OUT ALUMINUM TOOL BOARD IN COMPARTMENT P1
- 4. ONE FOUR SLOT AIR BAG RACK LOCATED IN COMPARTMENT P1
- 5. ONE ADJUSTABLE SLIDE-OUT TRAY WITH 4.00" SIDES LOCATED IN COMPARTMENT D3
- 6. ONE VERTICAL BOLT-IN PARTITION BETWEEN COMPARTMENTS D1-R1 & P1-R1
- 7. AIR INLET W/ DISCONNECT FITTINGS LOCATED ON DRIVERS SEAT RISER
- 8. HUSKY 12 FOAM SYSTEM
- 9. VANNER INVERTER LOCATED IN COMPARTMENT P3
- 10. CIRCUIT BREAKER PANEL LOCATED IN COMPARTMENT P3
- 11. ONE FLOOR MOUNTED SLIDE-OUT TRAY WITHOUT SIDES IN COMPARTMENT P1
- 12. TWO ADJUSTABLE FULL WIDTH/FULL DEPTH SHELVES IN COMPARTMENTS D1 & P1, AND THREE IN D3 & P4
- 13. ONE STORAGE BIN FOR THREE AIR BOTTLES LOCATED IN COMPARTMENT D1
- 14. ONE HANNAY BOOSTER REEL MODEL SBFF-30-23-24 LOCATED IN COMPARTMENT R1 WITH CAPACITY FOR 150' OF 1.00" BOOSTER HOSE

|                           |                       |              |   |
|---------------------------|-----------------------|--------------|---|
|                           |                       | JOB NO.      | 32118   |
|                           |                       | SCALE        | 1:24  |
| <b>MANUFACTURING INC.</b> |                       | TITLE        | 1500-D-750 GAL POLY W/ 30 GAL FOAM CELL, 189" RESCUE (3)XLAYS, DELUGE, (1)BOOSTER REEL, LADDERS THRU BODY |
|                           |                       | FOR          | KERN COUNTY FIRE DEPARTMENT BAKERSFIELD, CALIFORNIA   |
|                           |                       | CHECKED BY   | SMA   |
|                           |                       | SHEET NO.    | 1 OF 1  |
| DWG NO. 32118AD           |                       | DATE 12DEC17 |   |
| 01MAR18<br>REV DATE BY CH | MMF<br>JJR<br>QUANTUM | SHEET SIZE D |   |