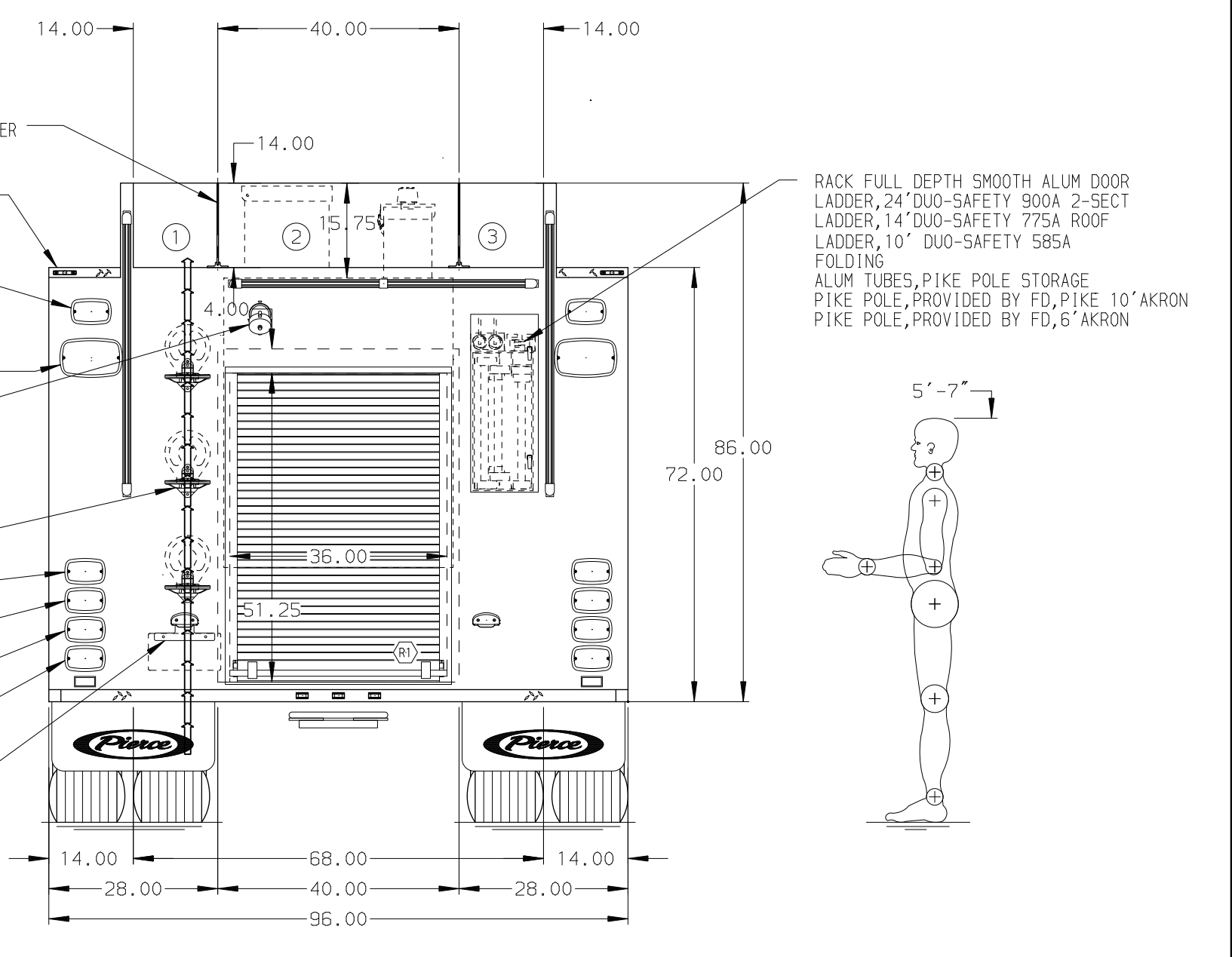
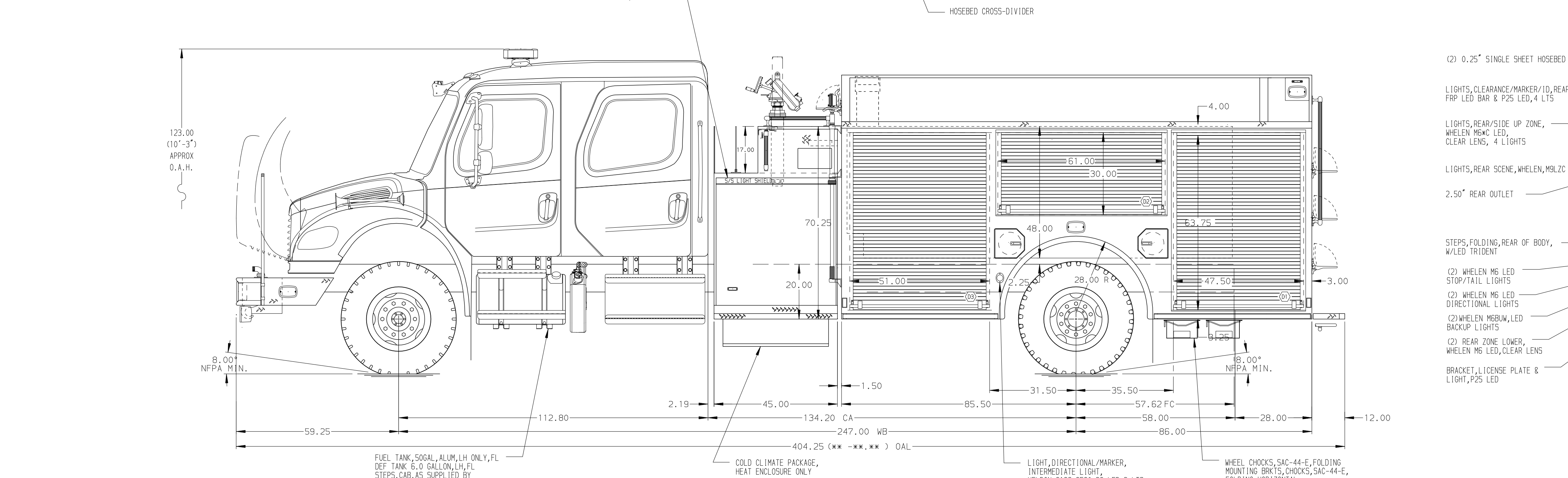


- HOSEBED CAPACITIES
- ① 1000' OF 3.00" D.J. POLYESTER HOSE
 - ② 1000' OF 5.00" D.J. POLYESTER HOSE
 - ③ 300' OF 3.00" D.J. POLYESTER HOSE



ALUMINUM BODY

NOTE
DIMENSIONS SHOWN ARE APPROXIMATE AND ARE SUBJECT TO MINOR DEVIATIONS AS MAY OCCUR OR BE NECESSARY IN CONSTRUCTION. MINOR DETAILS NOT SHOWN.

		JOB NO.	32128
		SCALE	DATE
MANUFACTURING INC. BRADENTON, FLORIDA		DRAWN BY	JLA
TITLE 1500-D-750P, 200 FOAM, 171" BODY D5&PS FULL HGHT & DPTH 45" TOP MOUNT, (3) 1.5" CROSSLAYS		CHECKED BY	RWI
FOR BULK TRANSPORT CORP. MICHIGAN CITY, INDIANA		SHEET SIZE	SHEET NO.
DWG NO.		32128AD	
REV DATE BY CH		1 OF 1	

05APR18	JLA	NAS	MAKE
08MAR18	RWI	JAF	FL
29JAN18	RWI	JAF	MODEL
REV	DATE	BY	CH