

PUMPER BODY

Medium Aluminum 2nd Gen Pumper

CHASSIS

Arrow XT Chassis

CHASSIS AXLE, FRONT, CUSTOM

22,800 Lb TAK-4 Axle

AXLE, REAR

31,000 Lb Meritor Axle

ENGINE

500 HP Cummins ISX12 Engine

TRANSMISSION

Allison 5th Gen, 4500 EVS P

BUMPER

19" Extended Painted Steel

CAB

6710 Arrow XT Cab

BODY WATER TANK

1000 Gallon Poly Water Tank

COMPT, PUMPER, REAR

44.50" FF RollUp Rear Compt

COMPT, PUMPER, DRIVER SIDE

152" RollUp Full Height Front & Rear FDLR

COMPT, PUMPER PASS. SIDE

152" RollUp Full Height Front & Rear FDLR

FIRE SUPPRESSION PUMPHOUSE

45" Control Zone Top Mount

PUMP

1500 GPM Waterous CSU

CROSSLAYS, 1.50"

(2) 1.50" Standard Capacity

CROSSLAYS, 2.50"

2.50" Crosslay Not Required

SPEEDLAYS

(2) 1.50" W/Tray Std. Capacity

GENERATOR

Generator Not Required

Foam System

Husky 3 Single Agent Foam System

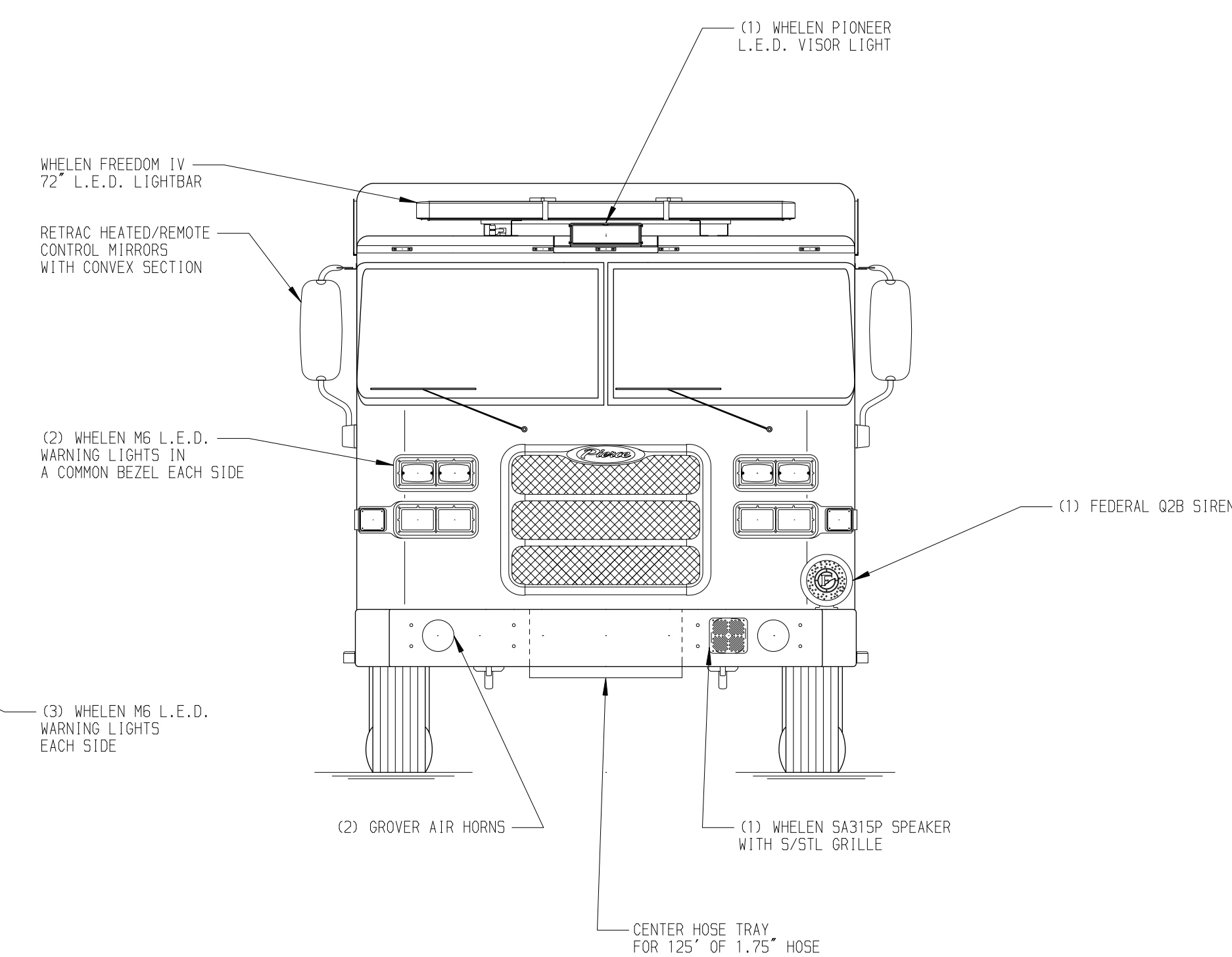
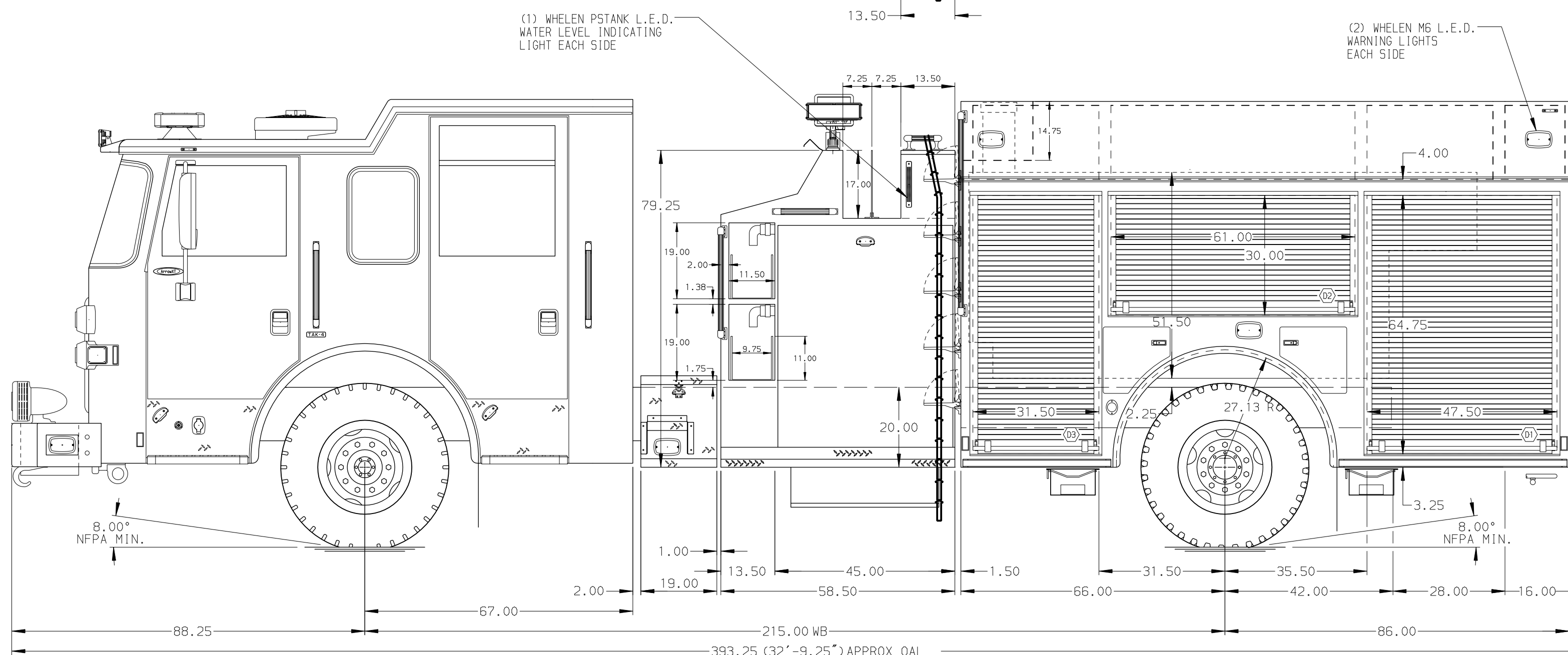
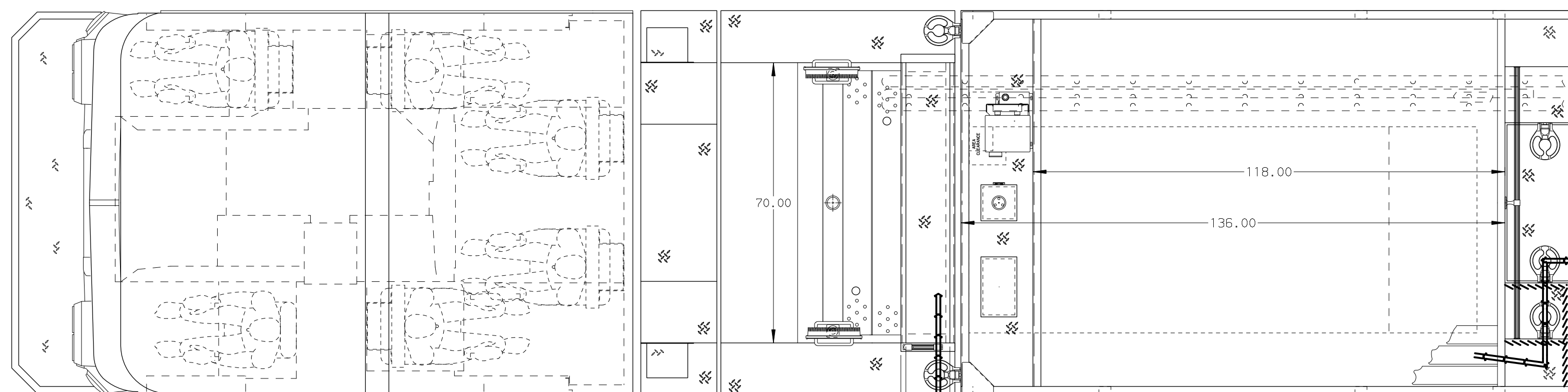
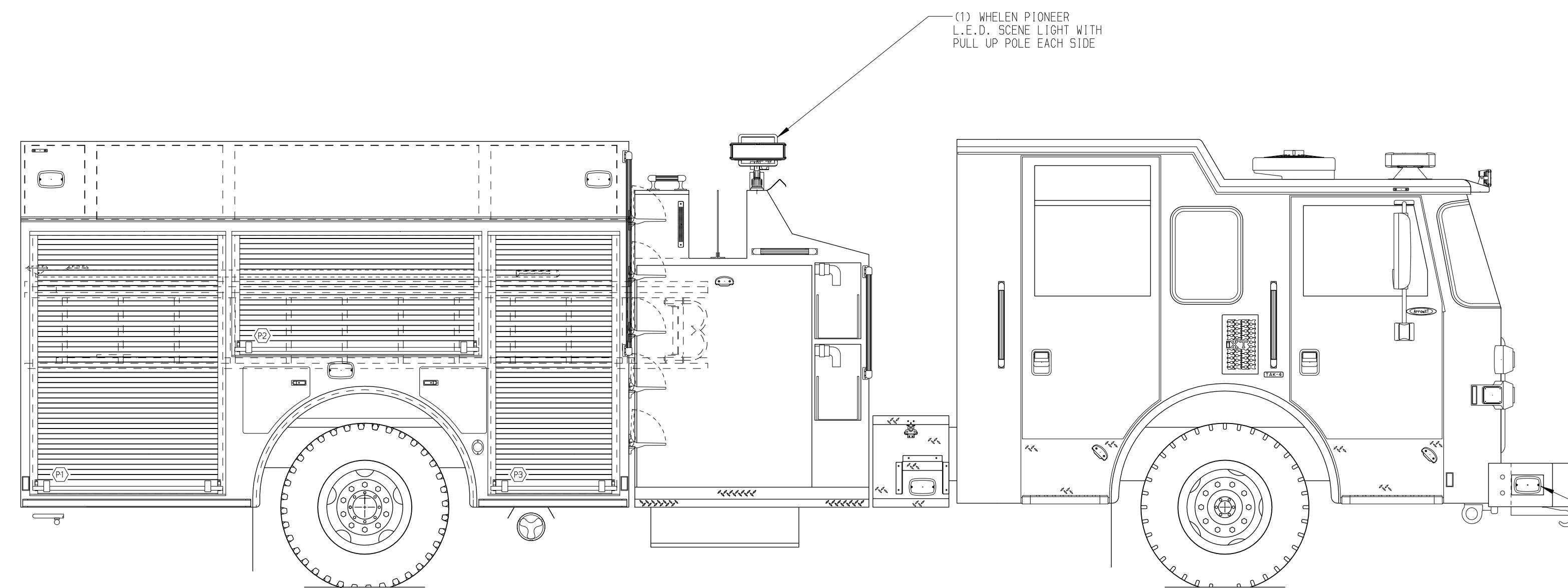
Foam Cell

20 Gallon Foam Cell, Not Reduced Water

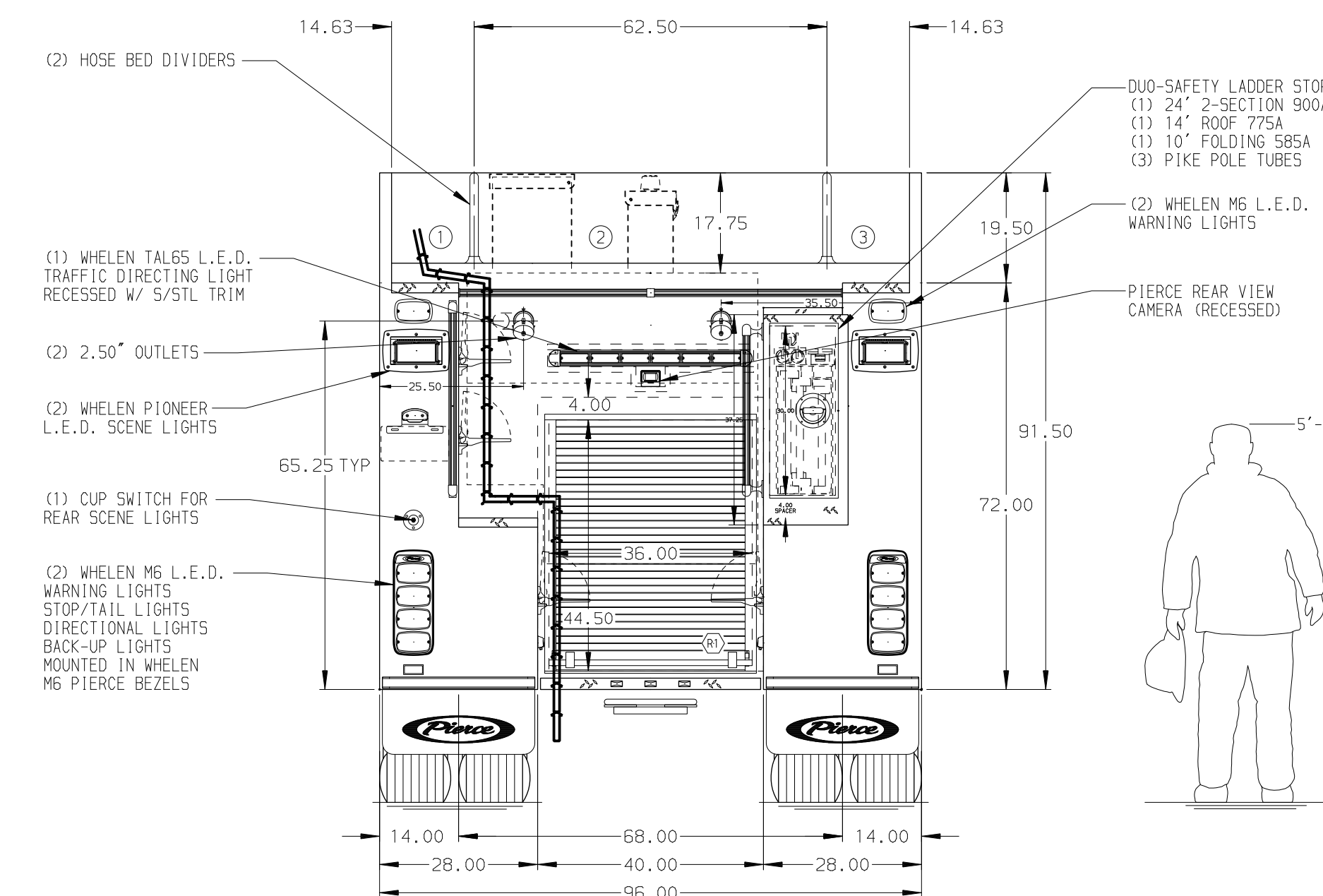
Side Roll and Frontal Impact Protection

NOTE
DIMENSIONS SHOWN ARE APPROXIMATE AND ARE SUBJECT TO MINOR DEVIATIONS AS MAY OCCUR OR BE NECESSARY IN CONSTRUCTION. MINOR DETAILS NOT SHOWN.

- ONE 1.50 OUTLET WITH 2.00 PIPING AND SWIVEL LOCATED IN CENTER BUMPER TRAY
- AUTOMATIC TIRE CHAINS
- SHORELINE RECEPTACLE WITH KUSSMAUL SUPER AUTO-EJECT IN THE DRIVER SIDE STEPWELL
- AIR INLET WITH KUSSMAUL AUTO EJECT IN THE DRIVER SIDE STEPWELL
- BATTERY CHARGER LOCATED IN CAB
- BATTERY CHARGE INDICATOR LOCATED ON THE DRIVER SIDE SEAT RISER
- FIVE ADJUSTABLE SHELVES IN COMPARTMENTS PER SHOP ORDER
- FOUR FLOOR MOUNTED SLIDE-OUT TRAYS IN COMPARTMENTS PER SHOP ORDER
- VANNER BRAVO POWER INVERTER LOCATED PER SHOP ORDER
- ONE 120V DUPLEX RECEPTACLE LOCATED PER SHOP ORDER
- ONE SWING-OUT TOOLBOARD LOCATED PER SHOP ORDER



HOSEBED CAPACITY	
BED 1	500' OF 2.50" D.J. POLY HOSE
BED 2	1350' OF 5.00" D.J. POLY HOSE
BED 3	500' OF 2.50" D.J. POLY HOSE



		JOB NO.	32188
		SCALE	DATE
		1:24	
Pierce Pumper Approval Drawing		DRAWN BY	11DEC17
-		COL	
-		CHECKED BY	13DEC17
-		KBO	
-		SHEET SIZE	SHEET NO.
-		D	1 OF 1
REV		32188AD	
DATE	BY	CH	
28FEB18	COL	KBO	
24JAN18	COL	KBO	
CHASSIS DATA	TITLE	Pierce Pumper Approval Drawing	
PIERCE	MAKE	-	
MODEL	FOR	Havre Fire Department	
ARROW XT	DWG NO.	32188AD	