

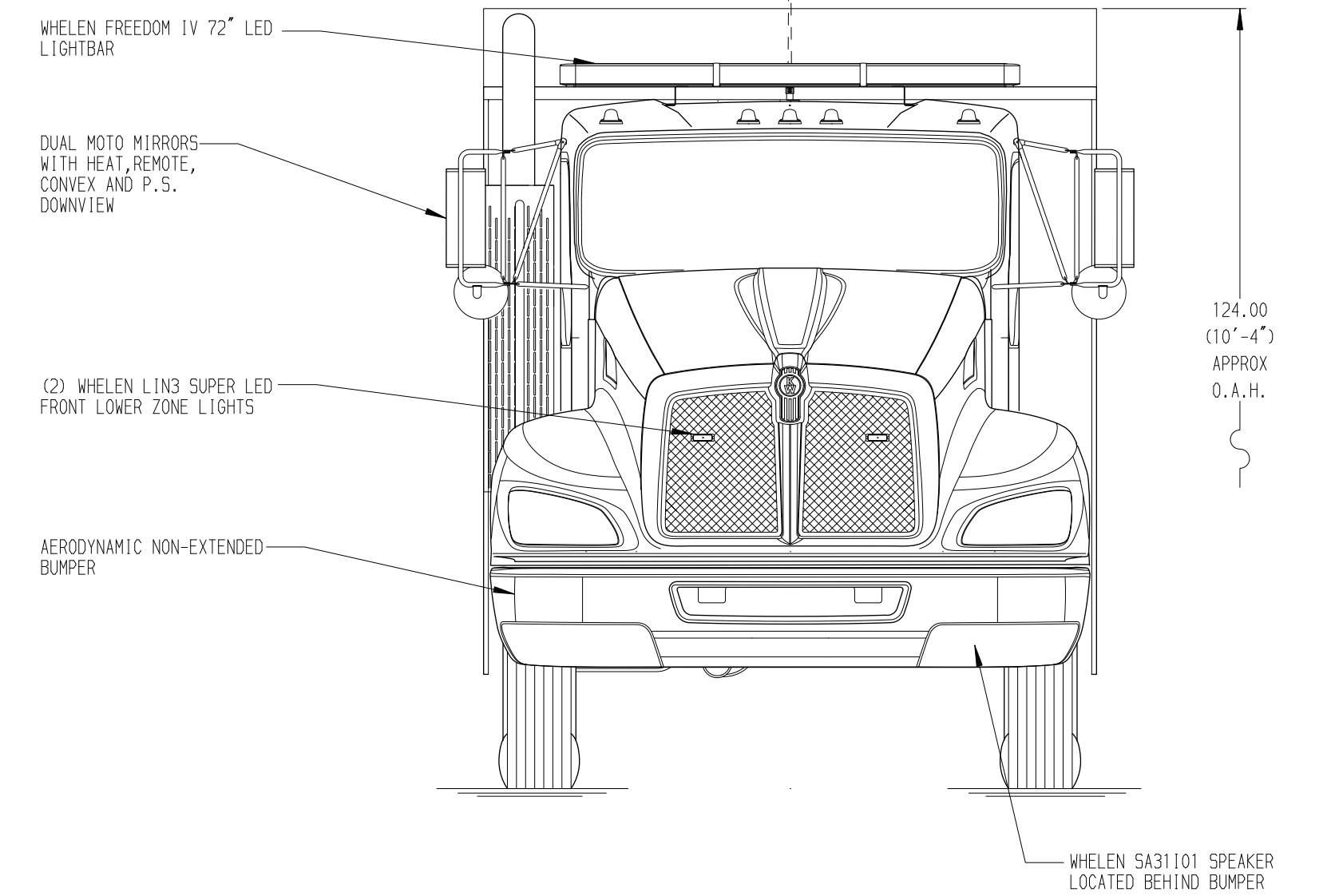
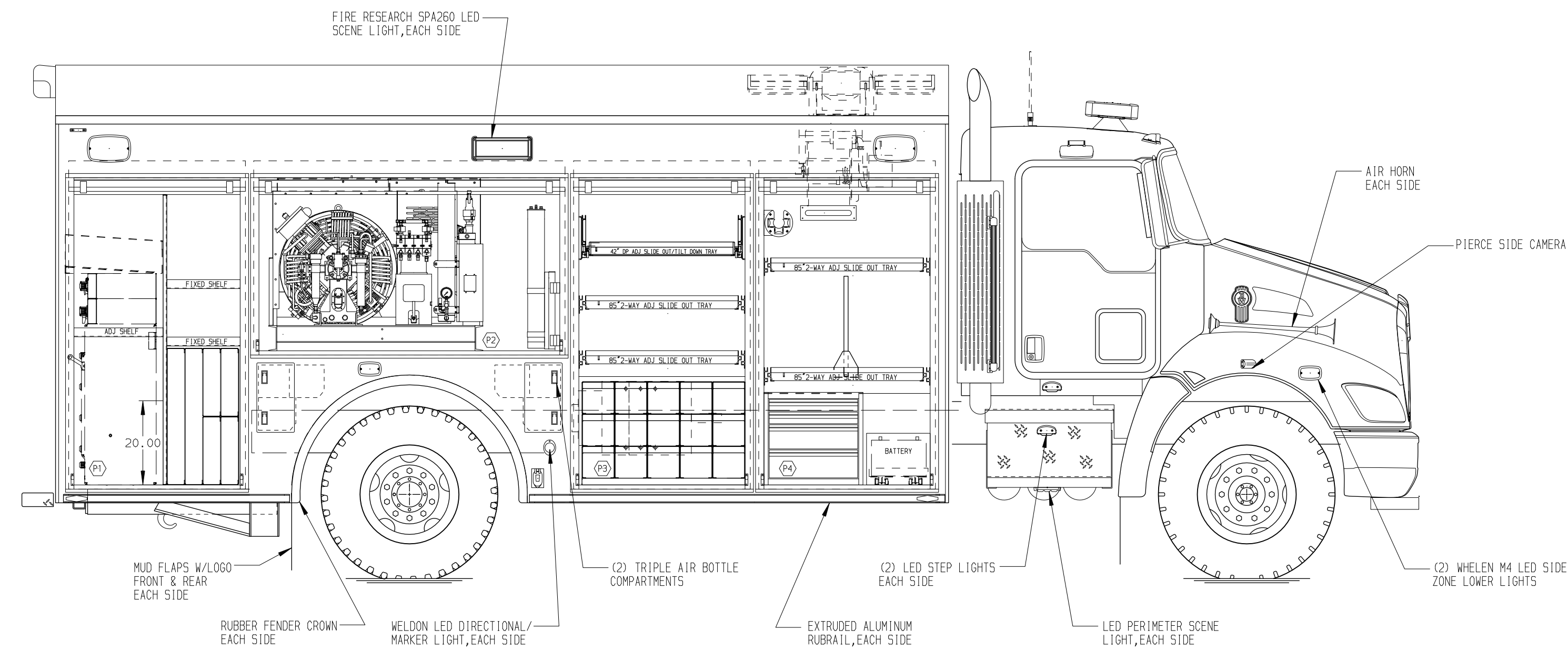
PASSENGER'S SIDE COMPARTMENTS CONTAIN THE FOLLOWING:

- COMPARTMENT P1 CONTAINS:**
 - (1) VERTICAL COMPARTMENT DIVIDER
 - (2) SPECIAL DEPTH FIXED SHELVES
 - (1) SPECIAL DEPTH ADJ SHELF
 - (1) RACK FOR 6 FOLDING TABLES

- COMPARTMENT P2 CONTAINS:**
 - (1) BAUER K18.1-20-E3 BREATHING AIR COMPRESSOR W/6 UN BOTTLES
 - BREATHING AIR PURIFIERS

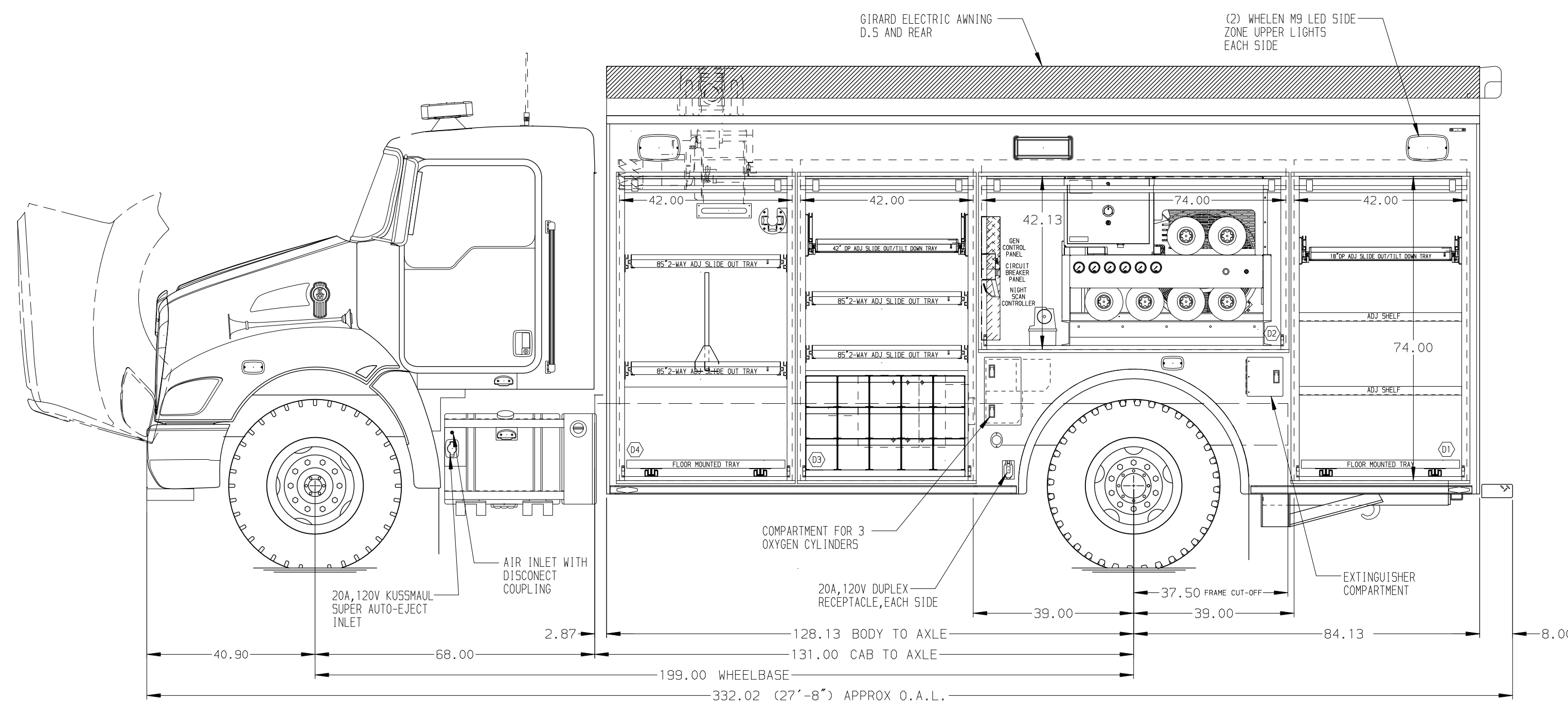
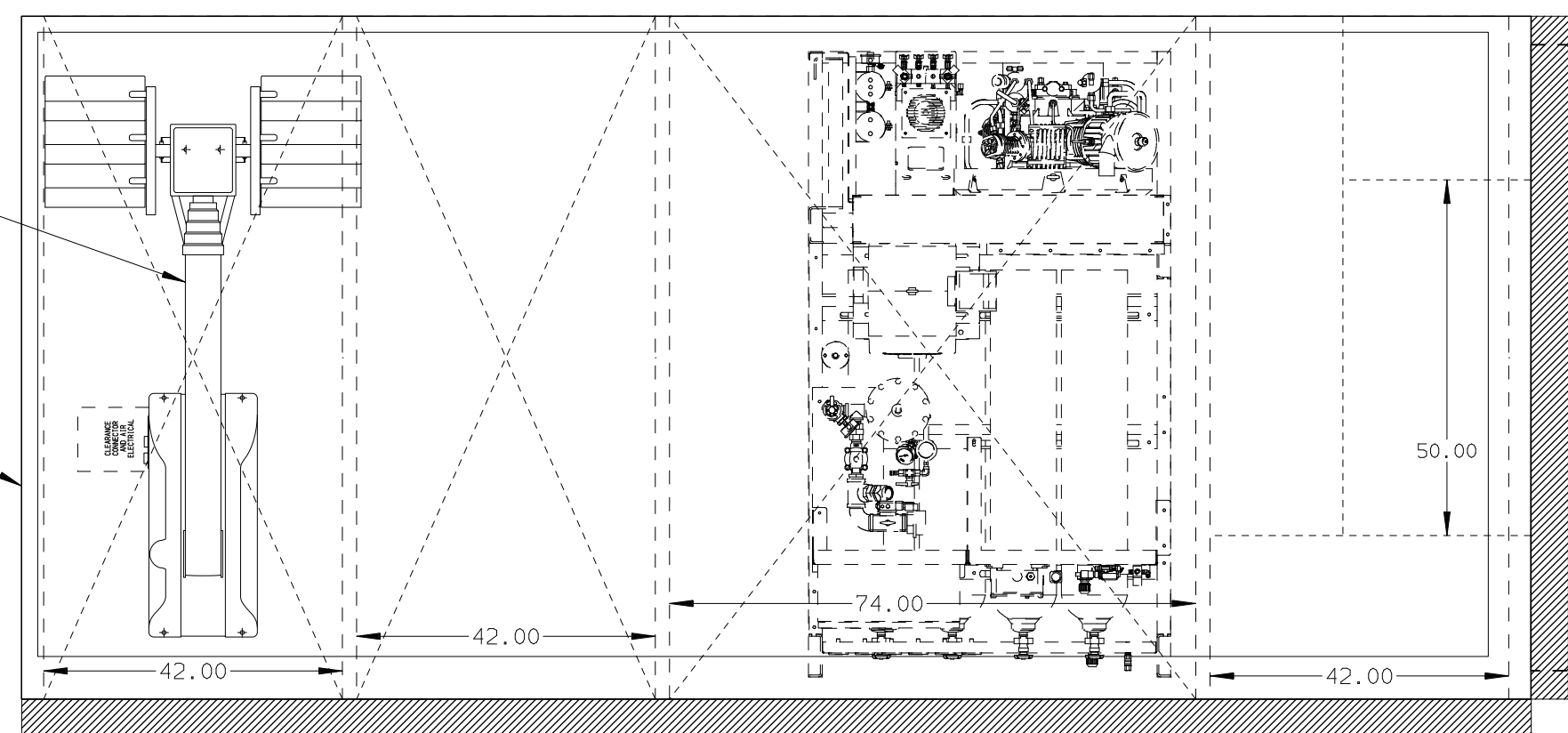
- COMPARTMENT P3 CONTAINS:**
 - (1) RACK FOR 15 SCBA BOTTLES
 - (2) 85"2-WAY ADJ SLIDE OUT TRAYS
 - (1) 42"DP ADJ SLIDE OUT/TILT TRAY

- COMPARTMENT P4 CONTAINS:**
 - (1) ELECTRIC CORD REEL WITH 200' OF 10/4 YELLOW CORD
 - (1) FOLD-OUT ROLLER GUIDE
 - (1) 85"2-WAY ADJ SLIDE OUT TRAY
 - (1) 85"2-WAY ADJ SLIDE OUT TRAY WITH TOOLBOARD
 - (1) 4-DRAWER C-TECH CABINET



REAR COMPARTMENT CONTAINS THE FOLLOWING:

COMPARTMENT R1 CONTAINS:
 - (1) RACK FOR 6 SCBA BOTTLES
 - (1) BAUER CFS 5.5-3M FILL ENCLOSURE
 - (1) HIGH PRESSURE AIR REEL WITH 200' OF HOSE



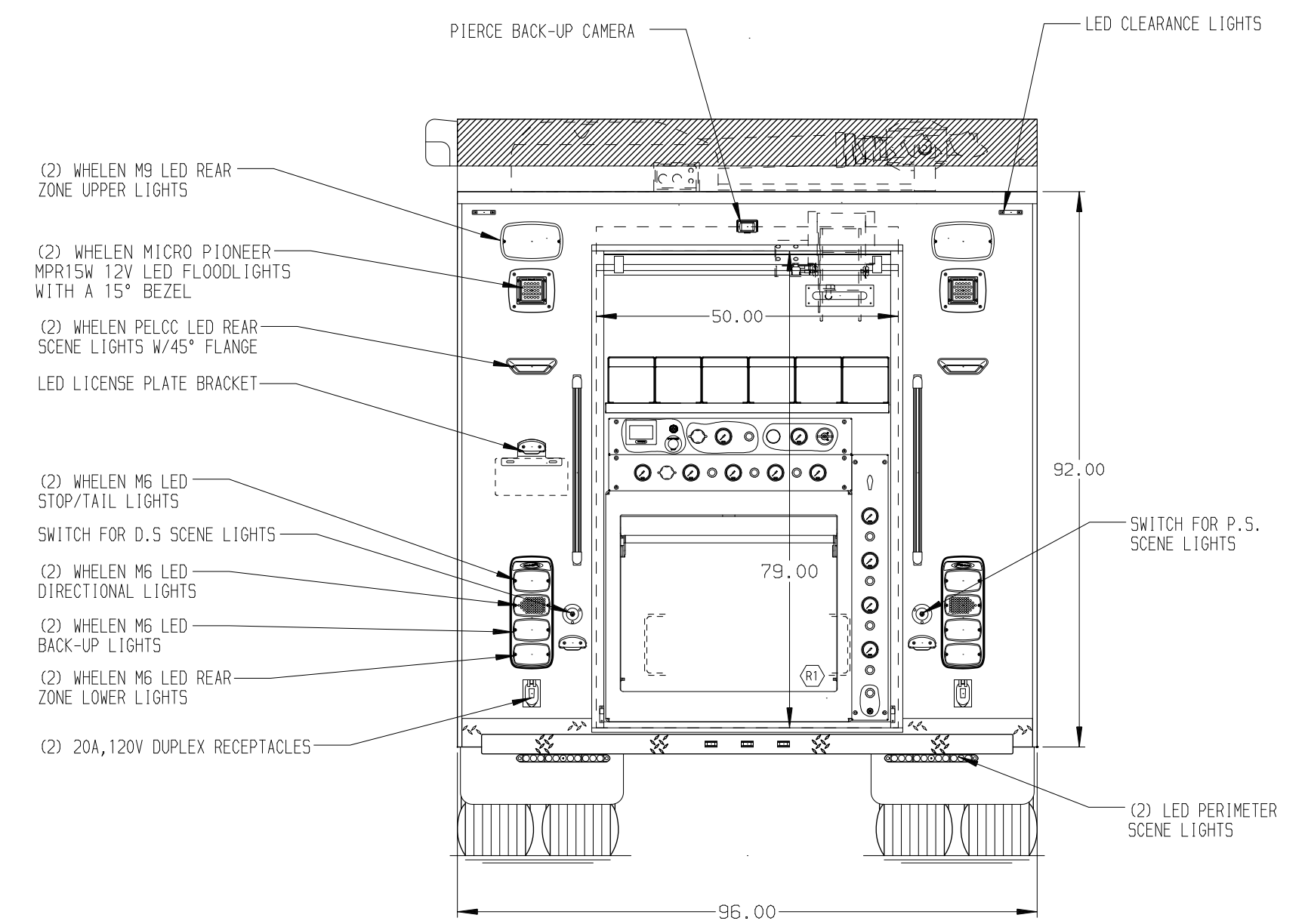
DRIVER'S SIDE COMPARTMENTS CONTAIN THE FOLLOWING:

COMPARTMENT D1 CONTAINS:
 - (1) SPECIAL DEPTH FLOOR MOUNTED TRAY
 - (2) SPECIAL DEPTH ADJ SHELVES
 - (1) VERTICAL REAR WALL DIVIDER
 - (1) 18"DP ADJ SLIDE OUT/TILT TRAY

COMPARTMENT D2 CONTAINS:
 - (1) BAUER K18.1-20-E3 BREATHING AIR COMPRESSOR W/6 UN BOTTLES
 - (1) CIRCUIT BREAKER PANEL
 - (1) GENERATOR METER PANEL
 - (1) NIGHT SCAN CONTROLLER

COMPARTMENT D3 CONTAINS:
 - (1) RACK FOR 15 SCBA BOTTLES
 - (2) 85"2-WAY ADJ SLIDE OUT TRAYS
 - (1) 42"DP ADJ SLIDE OUT/TILT TRAY

COMPARTMENT D4 CONTAINS:
 - (1) DUAL PRO CHARGER
 - (1) ELECTRIC CORD REEL WITH 200' OF 10/4 YELLOW CORD
 - (1) FOLD-OUT ROLLER GUIDE
 - (1) 85"2-WAY ADJ SLIDE OUT TRAY
 - (1) 85"2-WAY ADJ SLIDE OUT TRAY WITH TOOLBOARD
 - (1) FLOOR MOUNTED TRAY



NOTE
 DIMENSIONS SHOWN ARE APPROXIMATE AND ARE SUBJECT TO MINOR DEVIATIONS AS MAY OCCUR OR BE NECESSARY IN CONSTRUCTION. MINOR DETAILS NOT SHOWN.

- NOTES:**
1. LIMA 40KW THREE PHASE PTO DRIVEN GENERATOR LOCATED BETWEEN THE FRAME RAILS
 2. BATTERY CHARGE INDICATOR LOCATED ON DRIVER'S SIDE SEAT RISER
 3. PIERCE DUAL LED LIGHT STRIPS LOCATED IN ALL BODY COMPARTMENTS
 4. ONSPOT AUTOMATIC TIRE CHAINS
 5. PULL STRAPS ON ALL BODY ROLL-UP DOORS

				CHASSIS DATA	TITLE	ENCORE RESCUE VEHICLE	JOB NO.	32192
				MAKE	FOR	42.42.74.42	SCALE	1:24
26APR18	DHE	CDK	KENWORTH	MODEL	FOR	GRAND PRAIRIE DEPARTMENT	DRAWN BY	DHE
15FEB18	DHE	CDK	MODEL	NO.	FOR	GRAND PRAIRIE, TX	CHECKED BY	CDK
REV	DATE	BY	CH	T370	DWG NO.	32192AD	TRAVIS OWNBY	02FEB18
							SHEET SIZE	SHEET NO.
							D	1 OF 1