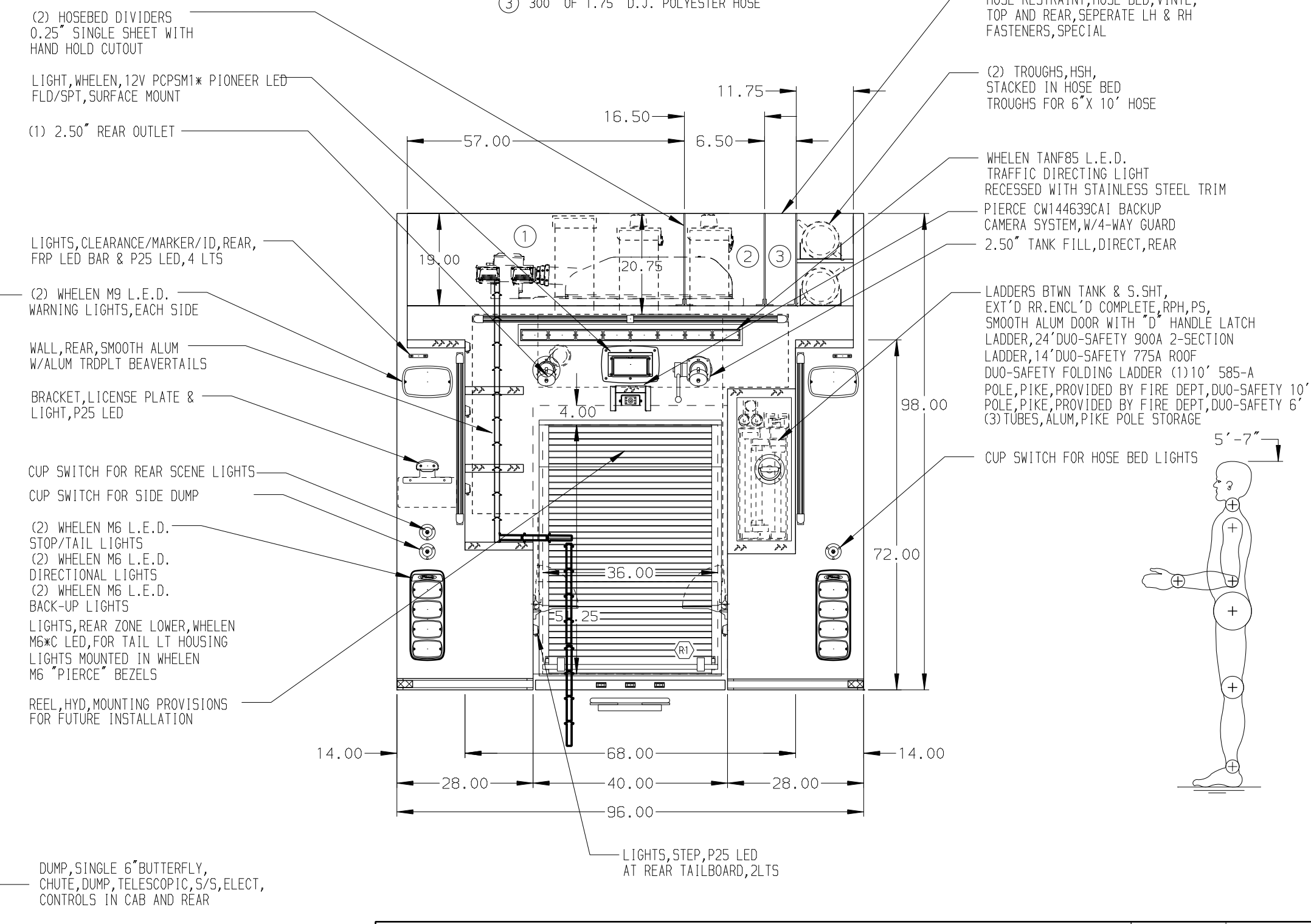
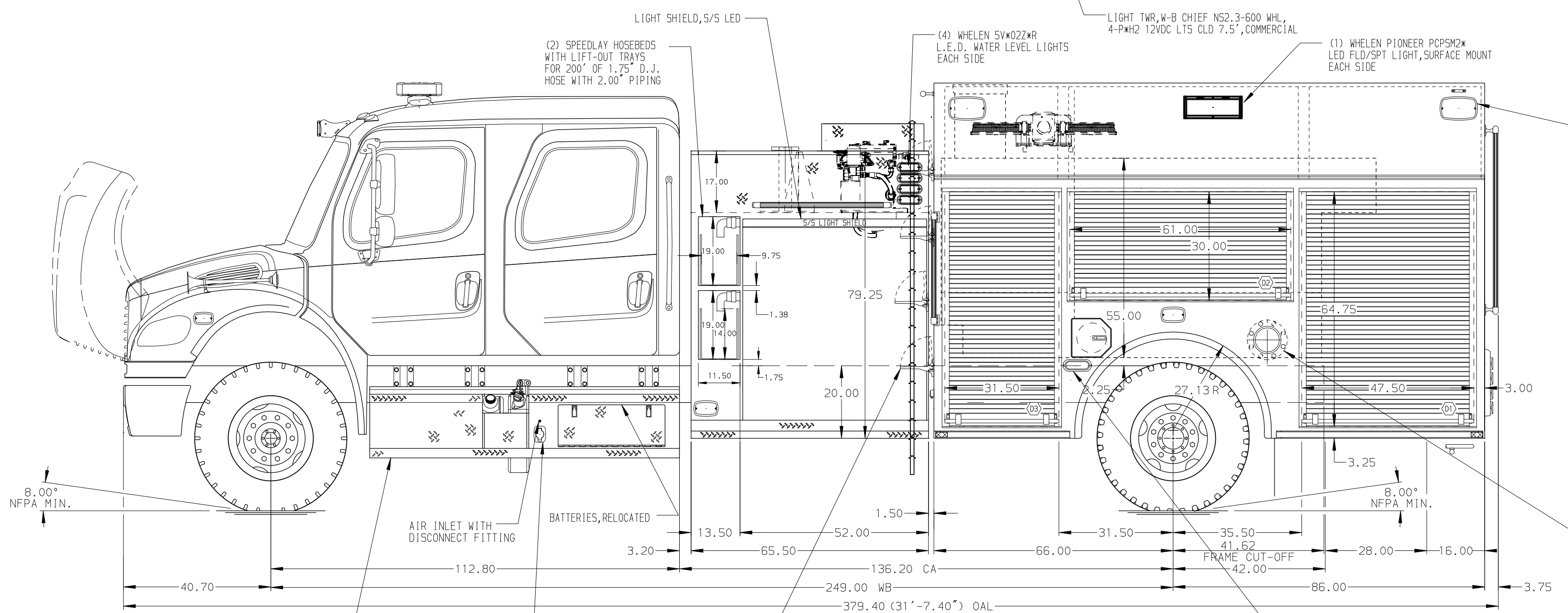


- HOSEBED CAPACITIES
- ① 1150' OF 5.00" D.J. POLYESTER HOSE
 - ② 400' OF 3.00" D.J. POLYESTER HOSE
 - ③ 300' OF 1.75" D.J. POLYESTER HOSE



ALUMINUM BODY

MAXIMUM O.A.H. 120"

		JOB NO.	32199
		SCALE	DATE
TITLE 1250-D-980P, 20/30 FOAM, 152" BODY, DS FULL HGT/DPT FRT S2" SIDE CONTROL, (2) 1.5" SPEEDLAYS, CAFS, NIGHT SCAN	DRAWN BY	JLA	27JAN18
	CHECKED BY	RWI	09FEB18
FOR	RUSK COUNTY ESD #1 HENDERSON, TEXAS	SHEET SIZE	SHEET NO.
DWG NO.	32199AD	D	1 OF 1

NOTE
DIMENSIONS SHOWN ARE APPROXIMATE
AND ARE SUBJECT TO MINOR DEVIATIONS
AS MAY OCCUR OR BE NECESSARY IN
CONSTRUCTION.
MINOR DETAILS NOT SHOWN.

REV	DATE	BY	CH
▽	-	-	-
M2-106			