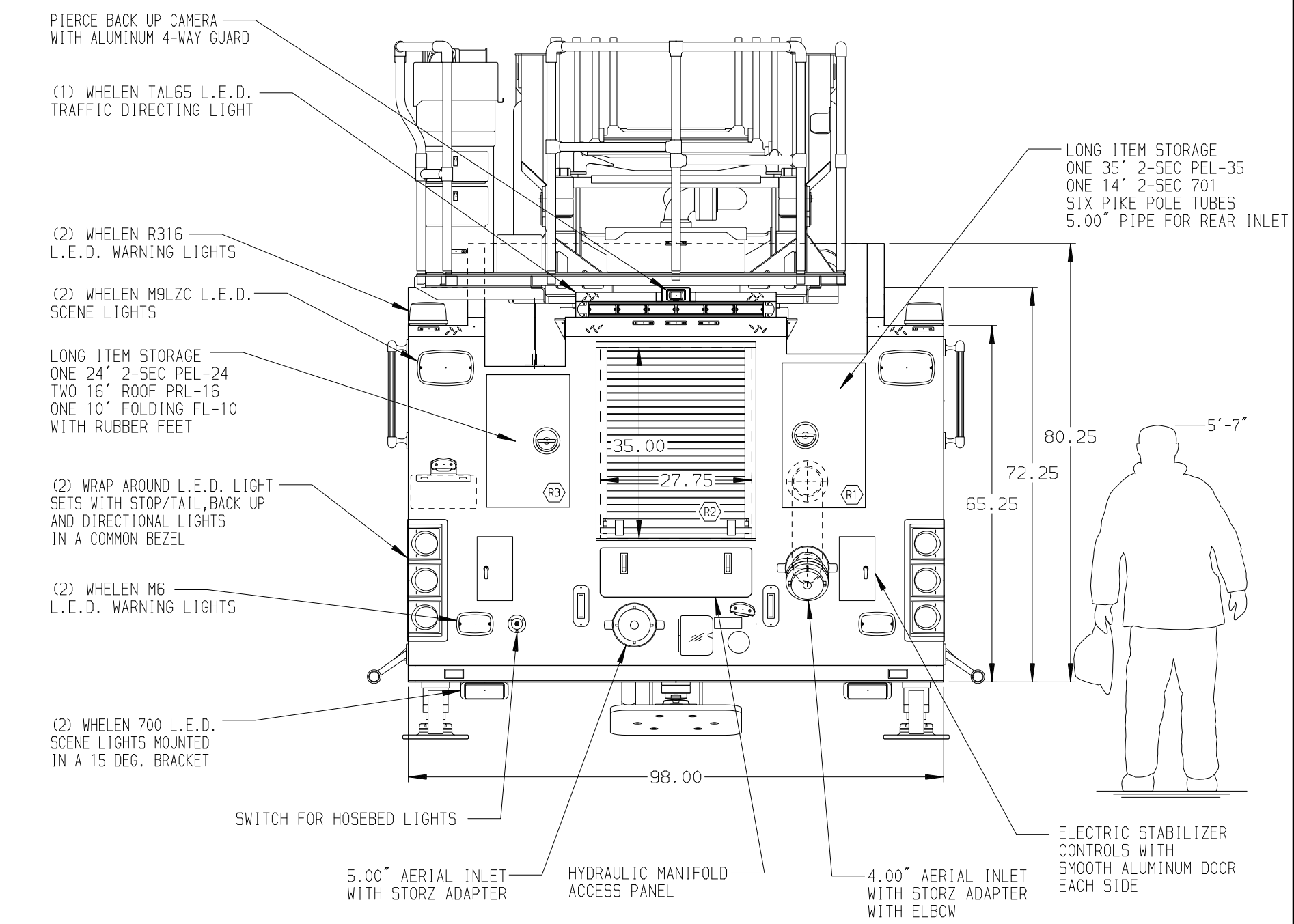
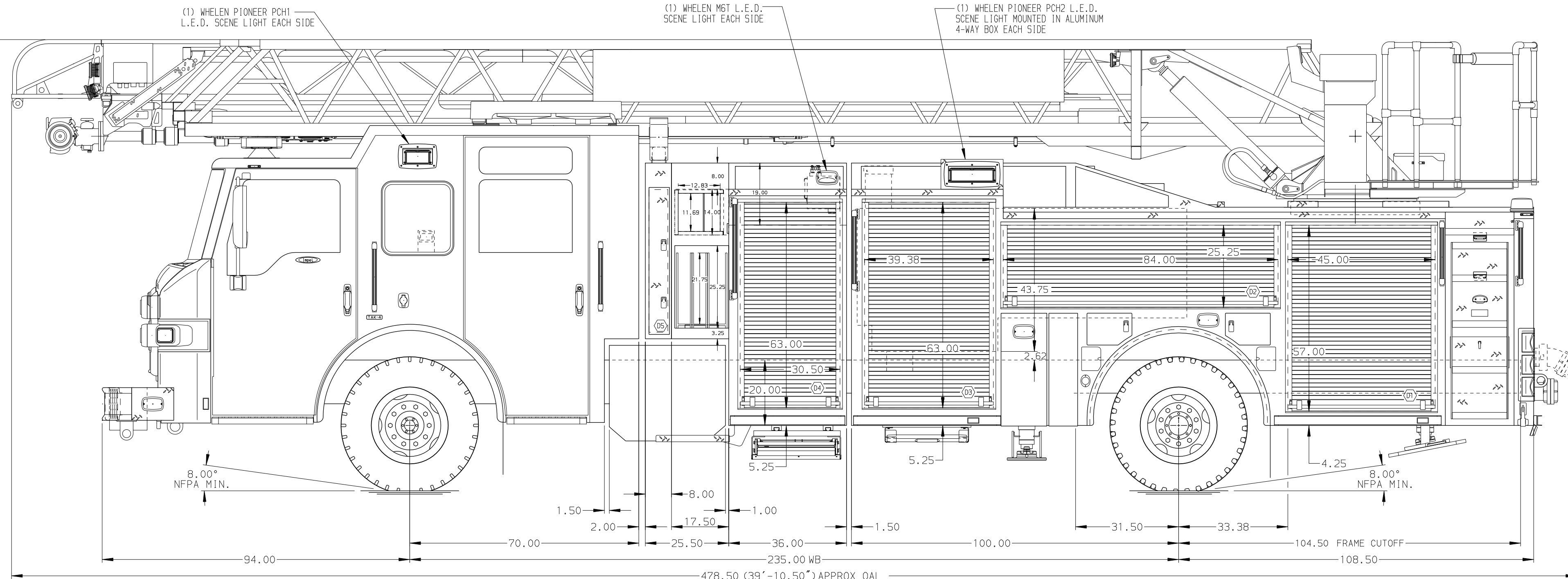
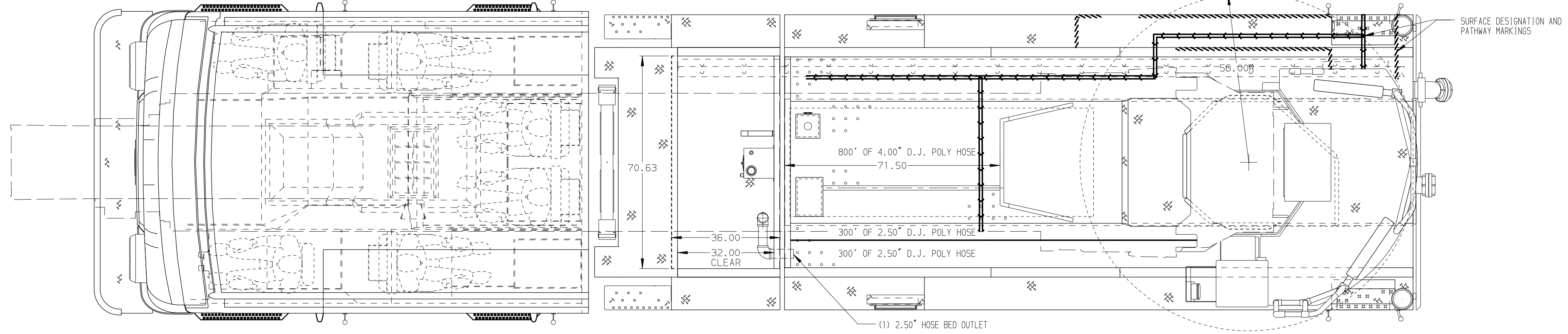


BODY 107' ASL Aluminum Body PUC COMPT, DRIVER SIDE FRONT Full Height RollUp Forward COMPT, DRIVER SIDE REAR Full Height RollUp Rearward COMPT, PASSENGER SIDE FRONT Full Height RollUp Forward COMPT, PASSENGER SIDE REAR Full Height RollUp Rearward	WATER TANK 475 Gallon Poly Water Tank Foam System Husky 12 Single Agent Foam System Foam Cell 25 Gallon Foam Cell, Reduced Water, PUC
---------------------------------------------------------------------------------------------------------------------------------------------------------------------------------------------------------------------------------------------------------------------------------------------------------------------	---------------------------------------------------------------------------------------------------------------------------------------------------------------------------



CHASSIS Impel Chassis, PUC ENGINE 450 HP Cummins L9 Engine	CAB 7010 Notched Impel FR Cab, PUC BUMPER 16" Extended Stainless Steel	AXLE, FRONT, CUSTOM 24,000 Lb TAK-4 Axle AXLE, REAR 33,500 Lb Meritor Axle	TRANSMISSION Allison 5th Gen, 3000 EVS P	PUMPHOUSE Control Zone, PAL/PAP PUC PUMP 1500 GPM Pierce PUC	CROSSLAYS, 1.50" (2) 1.50", W/Trays, 150' of 1.75" CROSSLAYS, 2.50" (1) 2.50", W/Tray, 150' of 2.50"	SPEEDLAYS Speedlays Not Required GENERATOR Generator Not Required	SAFETY Side Roll and Frontal Impact Protection
NOTE DIMENSIONS SHOWN ARE APPROXIMATE AND ARE SUBJECT TO MINOR DEVIATIONS AS MAY OCCUR OR BE NECESSARY IN CONSTRUCTION. MINOR DETAILS NOT SHOWN.							
1. SHORELINE RECEPTACLE WITH KUSSMAUL SUPER AUTO-EJECT LOCATED ON DRIVER SIDE OF THE CAB 2. AIR INLET WITH DISCONNECT COUPLING IN THE DRIVER SIDE STEPPWELL 3. BATTERY CHARGER LOCATED IN COMPARTMENT PER SHOP ORDER 4. BATTERY CHARGER INDICATOR BEHIND DRIVER'S SEAT DISPLAYED THROUGH WINDOW 5. TEN ADJUSTABLE SHELVES IN COMPARTMENTS PER SHOP ORDER 6. THREE FLOOR MOUNTED SLIDE-OUT TRAYS IN COMPARTMENTS PER SHOP ORDER 7. ONE SWING-OUT ALUMINUM TOOL BOARD IN COMPARTMENT PER SHOP ORDER 8. ONE SLIDE-OUT TOOL BOARD WITH PERSBOARD PATTERN IN COMPARTMENT PER SHOP ORDER 9. TWO VERTICAL PARTITIONS IN COMPARTMENT PER SHOP ORDER		10. STORAGE RACK FOR (6) AIR BOTTLES LOCATED IN COMPARTMENT PER SHOP ORDER 11. THREE DUPLEX RECEPTACLES LOCATED PER SHOP ORDER 12. DUAL L.E.D. STRIP LIGHTS IN HOSEBED 13. AERIAL WIRELESS REMOTE CONTROL 14. NON-RAISED AERIAL PEDESTAL 15. 1500 GPM HIGH FLOW WATERWAY 16. WIRELESS AERIAL MONITOR CONTROLS					

		JOB NO.	32210
MANUFACTURING INC.		SCALE	DATE
CHASSIS DATA		1:24	14DEC17
TITLE		DRAWN BY	TKA
FOR		CHECKED BY	CRI
107' ASCENDANT AERIAL LADDER AND BODY ASSEMBLY PORT COQUITLAM FIRE DEPARTMENT PORT COQUITLAM, BC, CANADA		SHEET SIZE	SHEET NO.
DWG NO.		D	1 OF 1
REV		32210AD	
05MAR18	TKA	KBO	
08FEB18	TKA	KBO	