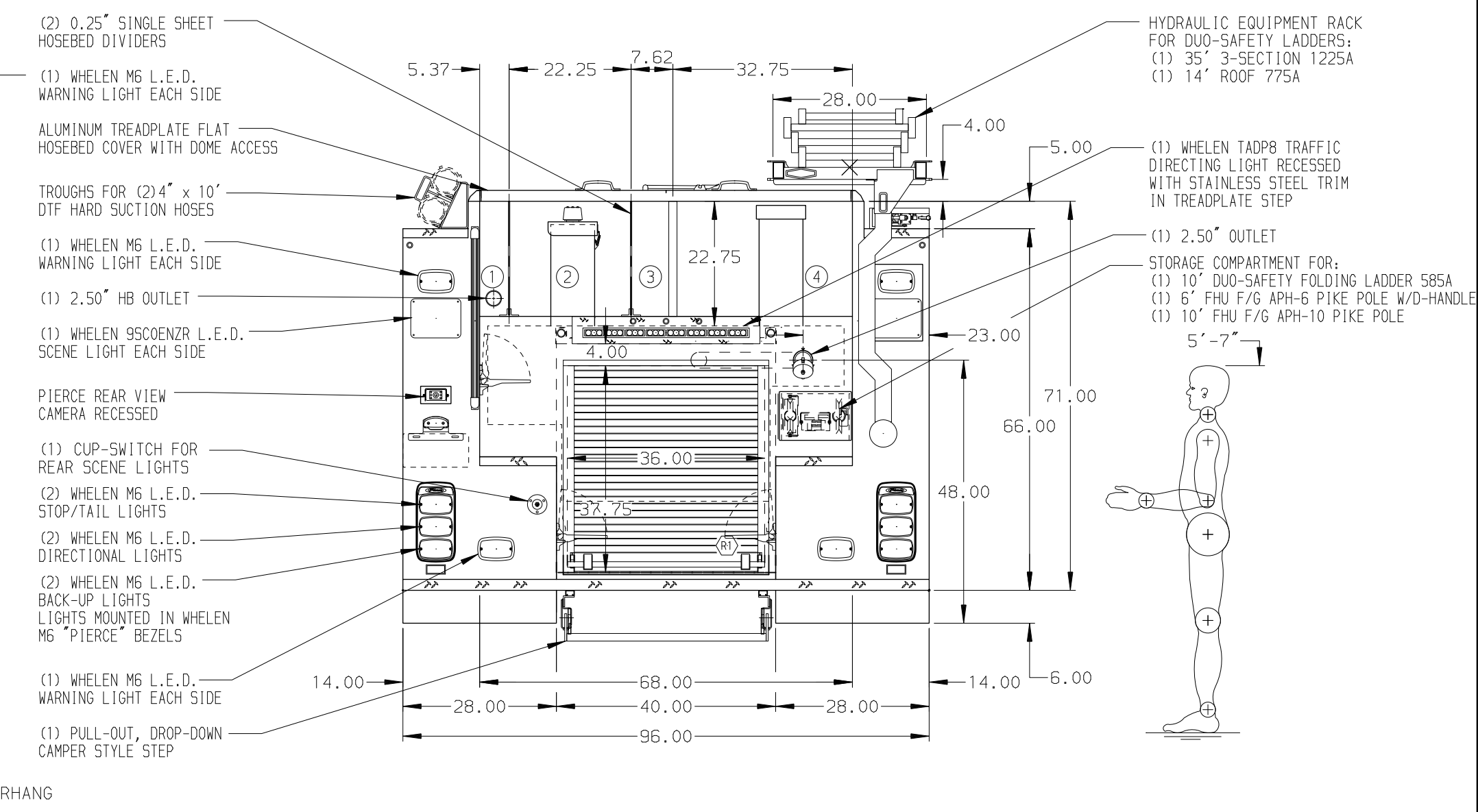
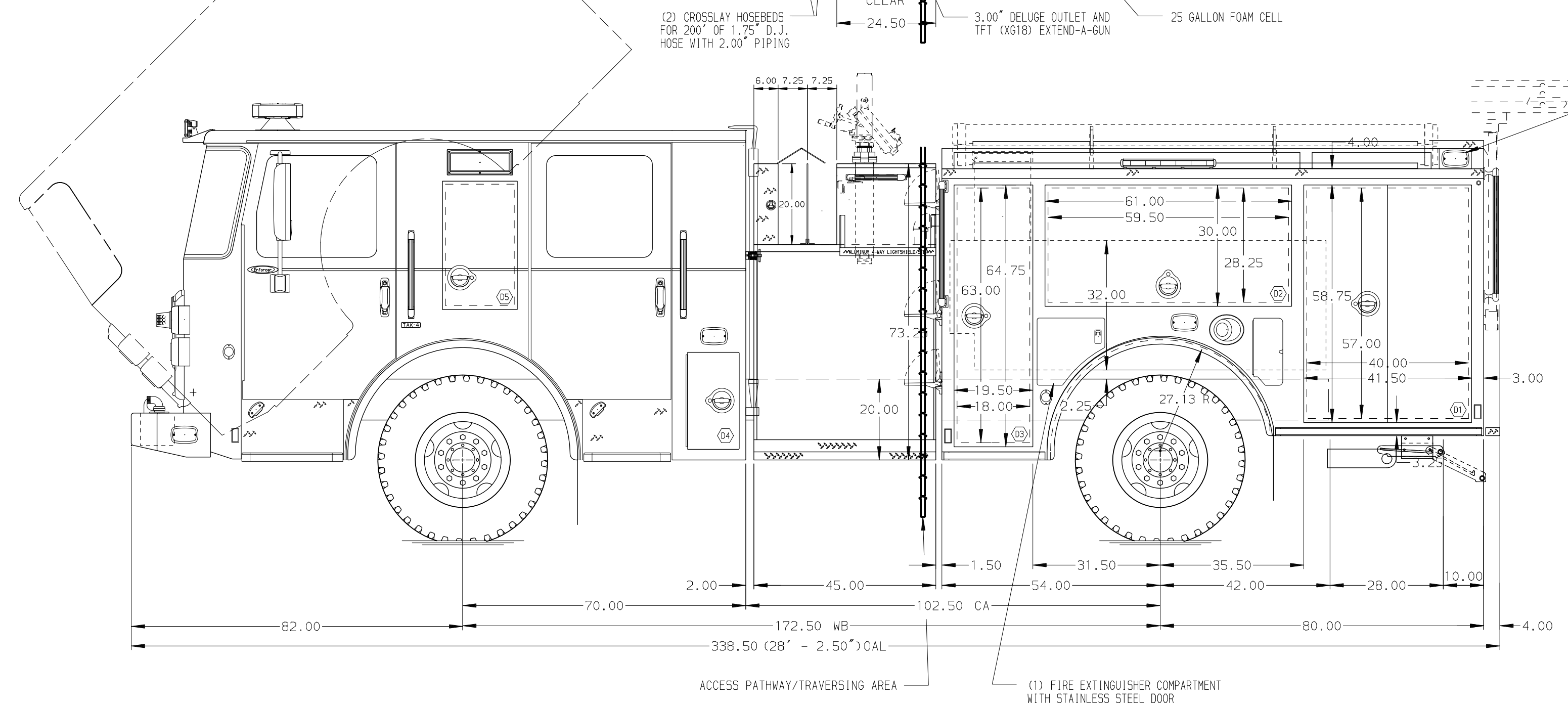


- HOSEBED CAPACITIES
- ① 250' OF 2.50" SYNTHETIC HOSE
 - ② 900' OF 3.00" SYNTHETIC HOSE
 - ③ OPEN
 - ④ 1000' OF 5.00" SYNTHETIC HOSE



GALVANNEAL MAXIMUM O.A.L. 338.50" MAXIMUM O.A.H. 116.00" SIDE ROLL & FRONTAL IMPACT PROTECTION

NOTE
DIMENSIONS SHOWN ARE APPROXIMATE AND ARE SUBJECT TO MINOR DEVIATIONS AS MAY OCCUR OR BE NECESSARY IN CONSTRUCTION. MINOR DETAILS NOT SHOWN.

1. MOUNTING BRACKETS FOR WORDEN HWG-SB SUPER GRIPPER WHEEL CHOCKS PROVIDED BY FIRE DEPARTMENT
2. AIR INLET WITH DISCONNECT COUPLING LOCATED ON DRIVER'S SIDE PUMP PANEL
3. BATTERY CHARGER LOCATED IN COMPARTMENT D3
4. BATTERY CHARGE INDICATOR LOCATED ON DRIVER'S SEAT RISER
5. SHORELINE RECEPTACLE WITH KUSMAUL AUTO-EJECT LOCATED ON DRIVER'S SIDE PUMP PANEL
6. KEYS FOR LATCHES ON COMPARTMENT D1, D2, D3, P1, P2 & P3
7. PULL STRAP ON DOOR IN COMPARTMENT D2 & P2
8. REVERSED HINGED DOOR ON COMPARTMENT D3
9. ONE ADJUSTABLE FULL WIDTH/DEPTH SHELF IN COMPARTMENT D1, D2, P1, P2, TWO IN D3, THREE IN P3
10. ONE ADJUSTABLE SLIDE-OUT TRAY IN COMPARTMENT R1
11. ONE FLOOR MOUNTED SLIDE-OUT TRAY IN COMPARTMENT R1
12. PEGBOARD WITH TRACK ON BACK WALL OF COMPARTMENT D1 & P1
13. BLISTER FOR PIPING IN COMPARTMENT R1

REV	DATE	BY	CH	ENFORCER
20APR18	AMI	PJP		PIERCE
02MAR18	CCA	CDU		MODEL

		JOB NO.	32211
		SCALE	1:24
TITLE	1500-D-500P W/25 GAL FOAM, 134" BODY, 6" RAISED REAR (2)XLAYS, DELUGE, AUX. HYDRAULIC PUMP	DRAWN BY	AMI
FOR	NAPA COUNTY FIRE DEPARTMENT SAINT HELENA, CALIFORNIA	CHECKED BY	CCA
DWG NO.	32211AD	SHEET SIZE	D
		SHEET NO.	1 OF 1