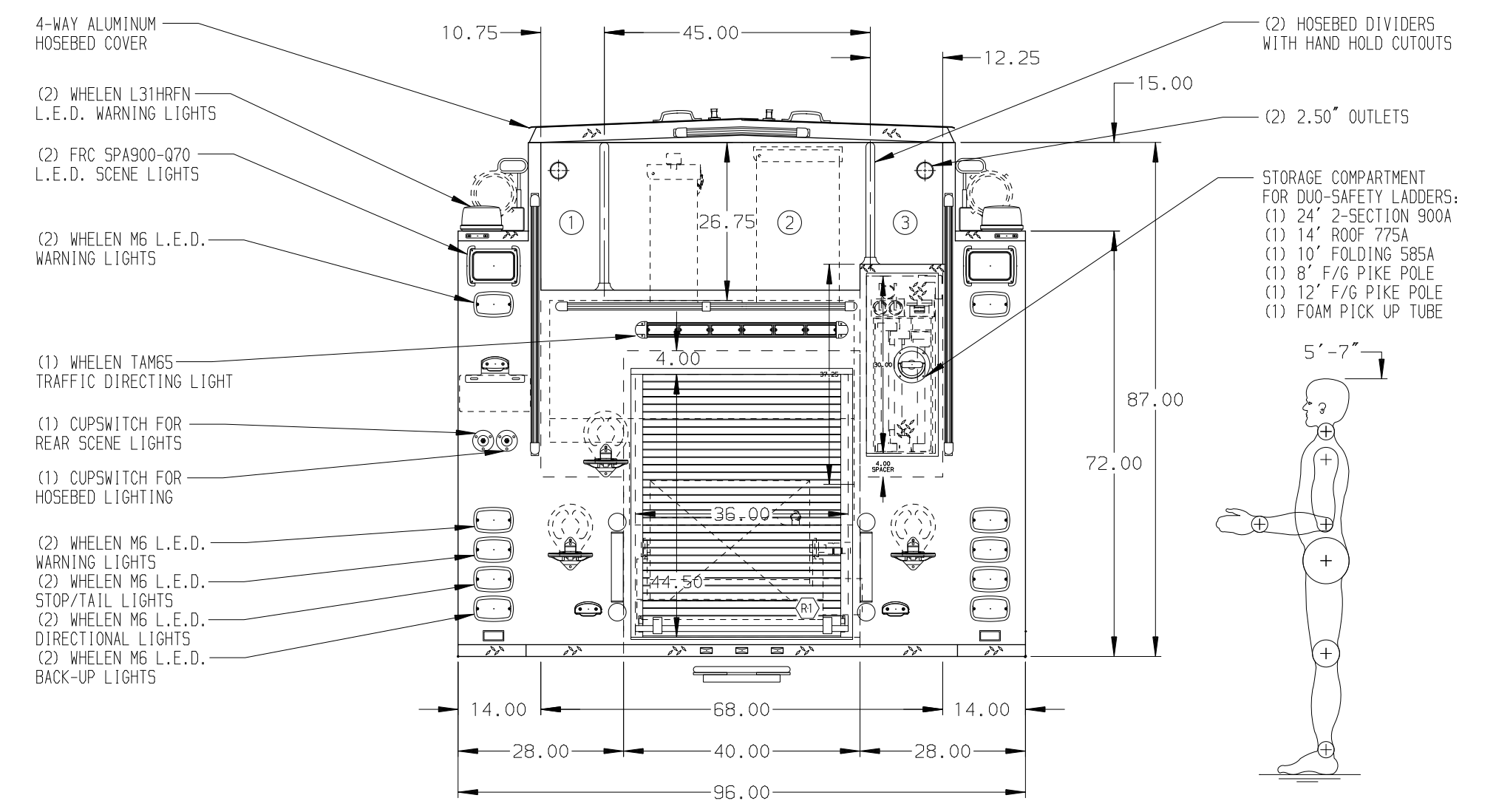


HOSEBED CAPACITIES

①	400' OF 2.50" D.J. POLY HOSE
②	1500' OF 5.00" D.J. POLY HOSE
③	600' OF 1.75" D.J. POLY HOSE



ALUMINUM BODY

NOTE
DIMENSIONS SHOWN ARE APPROXIMATE AND ARE SUBJECT TO MINOR DEVIATIONS AS MAY OCCUR OR BE NECESSARY IN CONSTRUCTION. MINOR DETAILS NOT SHOWN.

1. ONSPOT AUTOMATIC TIRE CHAINS TO BE PROVIDED AT REAR
2. AIR INLET/OUTLET W/ DISCONNECT FITTING LOCATED ON DS PUMP PANEL
3. BATTERY CHARGER LOCATED IN EMS COMPARTMENT
4. BATTERY CHARGER INDICATOR LOCATED ON DRIVERS SEAT RISER
5. ONE ADJUSTABLE SHELF LOCATED IN COMPARTMENTS D1, D3, P3 & R1
6. ONE FLOOR MOUNTED SLIDE-OUT TRAY IN COMPARTMENT D1
7. PARTITION BETWEEN COMPARTMENTS D1/R1 AND P1/R1
8. HANNAY BOOSTER REEL MODEL SBEP34-23-24 LOCATED IN COMPARTMENT R1 WITH CAPACITY FOR 200' OF 1.00" BOOSTER HOSE
9. FECCON AROUND THE PUMP FOAM SYSTEM
10. WHELEN HOWLER SPEAKER SYSTEM LOCATED UNDER FRONT BUMPER
11. ONE SWING-OUT TOOLBOARD LOCATED IN COMPARTMENT P1
12. PEGBOARD W/TRACK ON BACK WALL OF COMPARTMENT D2 & P2
13. PEGBOARD W/TRACK ON SIDE WALLS OF COMPARTMENT D1, D3 & P3

CHASSIS DATA	TITLE	2000-D-750 GAL POLY W/40 GAL FOAM CELL, 152" FDLER (2)XLAYS, DELUGE, LADDERS BESIDE TANK, BOOSTER REEL
MAKE	FOR	CITY OF FARMINGTON FARMINGTON, NEW MEXICO
PIERCE	DWG NO.	32238AD
MODEL	ENFORCER	
REV	DATE	04MAY18
BY	CH	AMI CHR

	JOB NO.	32238
	SCALE	DATE
	DRAWN BY	AMI 26FEB18
	CHECKED BY	CCA 26FEB18
	SHEET SIZE	SHEET NO.
	D	1 OF 1