

**PASSENGER'S SIDE COMPARTMENTS CONTAIN THE FOLLOWING:**

**COMPARTMENT P1 CONTAINS:**

- (2) VERTICAL COMPARTMENT DIVIDERS
- (3) STD DEPTH ADJ SHELVES
- (2) STD DEPTH FLOOR MOUNTED TRAYS WITH TOOLBOARDS

**COMPARTMENT P2 CONTAINS:**

- (2) STD DEPTH ADJ SHELVES
- (1) ELECTRIC CORD REEL WITH 200' OF 10/3 BLACK CORD
- (1) 2" LIP ON FLOOR OF COMPARTMENT

**COMPARTMENT P3 CONTAINS:**

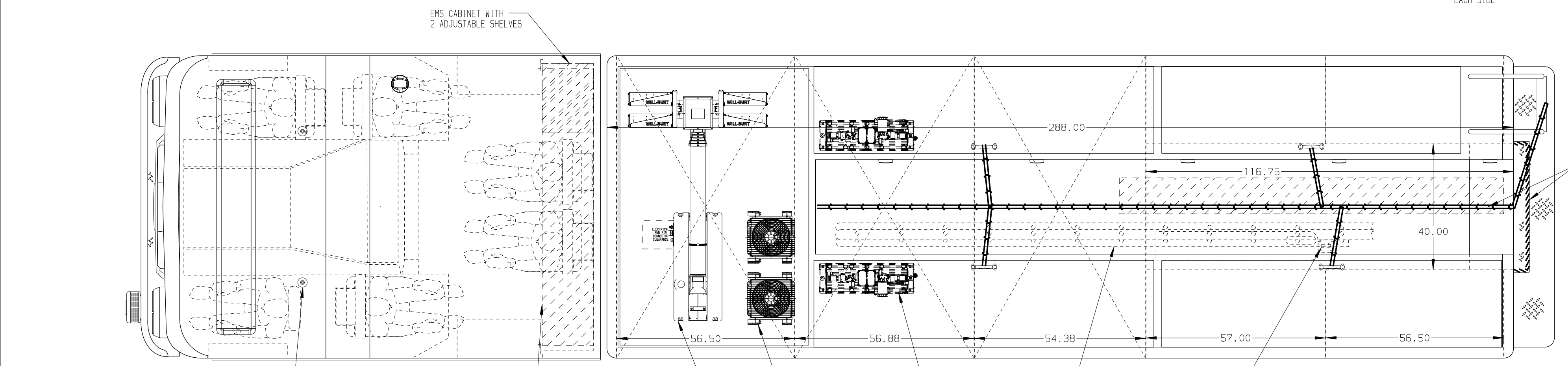
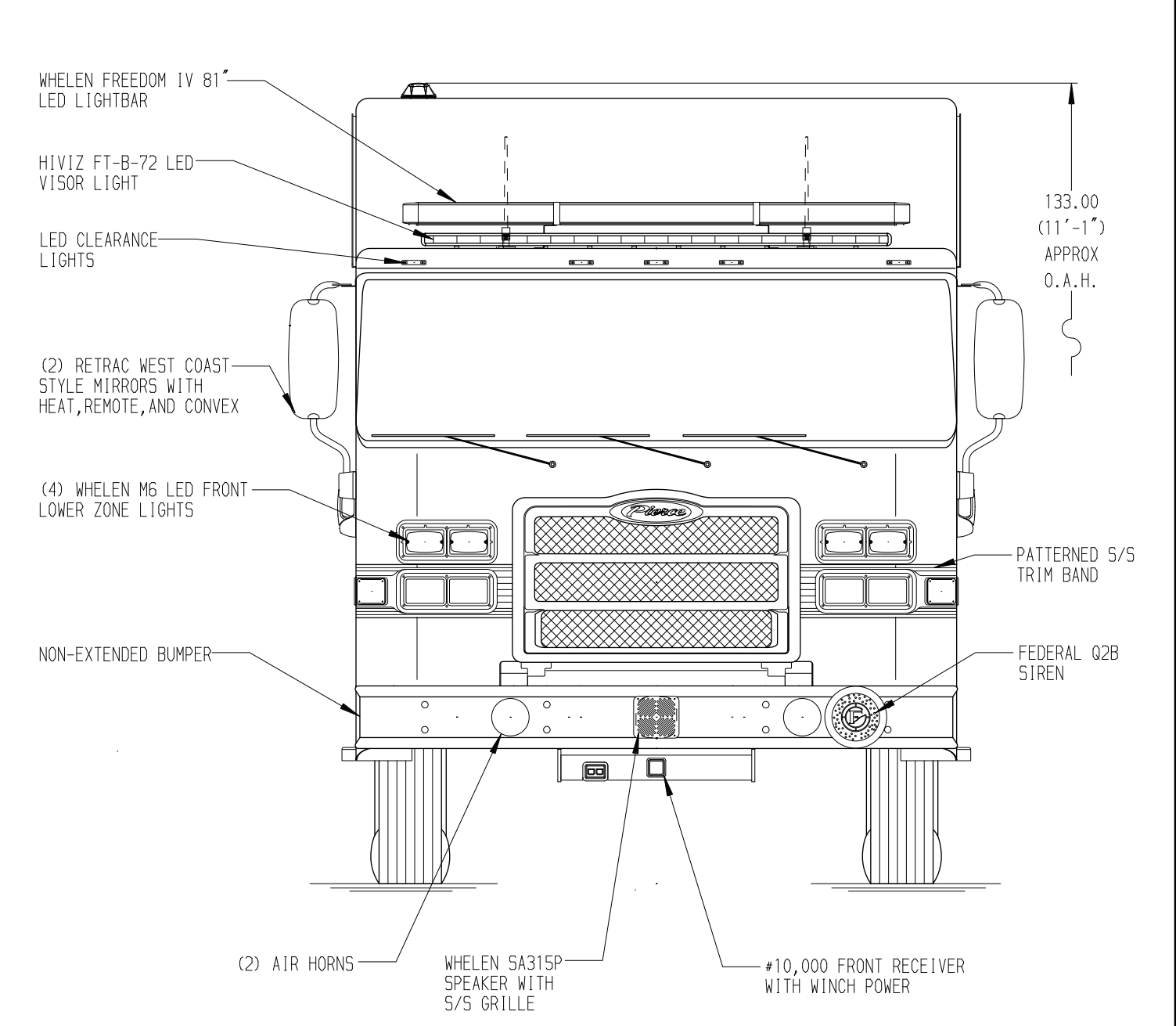
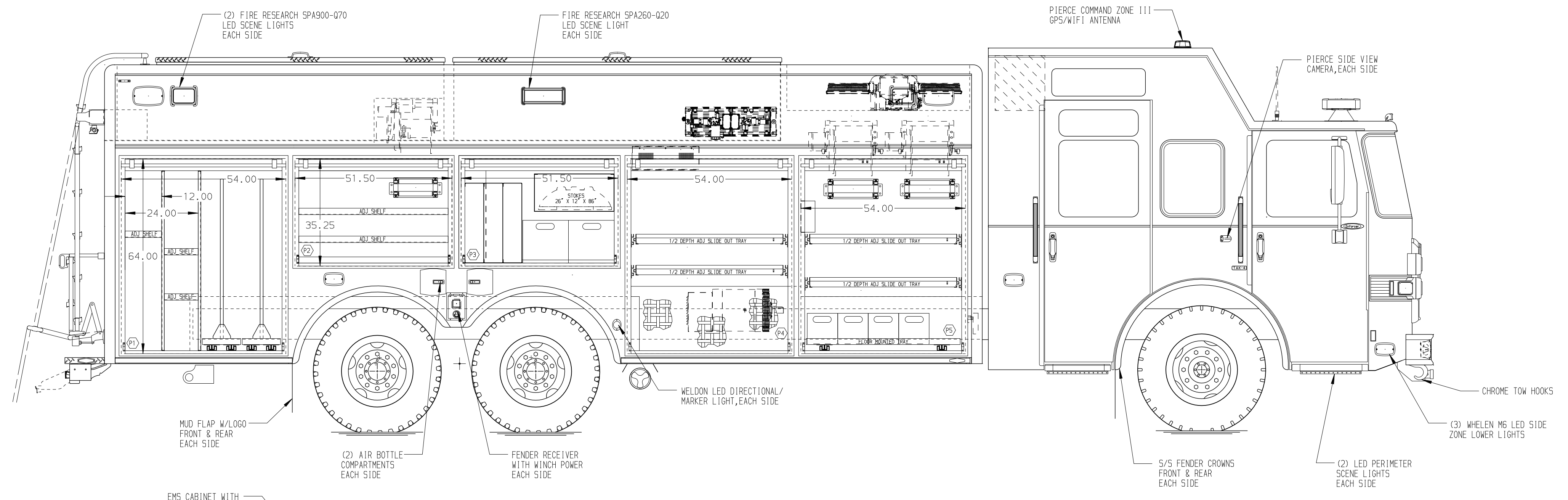
- (1) STOKES BASKET RACK
- (2) POLY TOOL BOXES
- (1) RACK FOR 3 AIR BAGS

**COMPARTMENT P4 CONTAINS:**

- (2) 1/2 DEPTH ADJ SLIDE OUT TRAYS
- CARGO RETENTION NETTING(LOWER)

**COMPARTMENT P5 CONTAINS:**

- (1) CAB LIFT CONTROLLER
- (2) 1/2 DEPTH ADJ SLIDE OUT TRAYS
- (1) STD DEPTH FLOOR MOUNTED TRAY
- (4) POLY TOOL BOXES
- (2) HYDRAULIC REELS W/150' OF HOSE EACH
- (1) HYD POWER UNIT CONTROL BOX



**DRIVER'S SIDE COMPARTMENTS CONTAIN THE FOLLOWING:**

**COMPARTMENT D1 CONTAINS:**

- (1) SPECIAL HEIGHT VERTICAL DIVIDER
- (1) STD DEPTH INVERTED FIXED SHELF
- (1) STD DEPTH ADJ SHELF
- (1) STD DEPTH FLOOR MOUNTED TRAY

**COMPARTMENT D2 CONTAINS:**

- (1) STD DEPTH ADJ SHELF
- (1) VERTICAL COMPARTMENT DIVIDER
- (1) CIRCUIT BREAKER PANEL
- (1) SUB FEED BOX
- (1) GENERATOR METER PANEL
- (1) NIGHT SCAN CONTROLLER
- (1) ELECTRIC CORD REEL WITH 200' OF 10/3 BLACK CORD
- ACCESS PANELS FOR AIR BOTTLE RACK

**COMPARTMENT D3 CONTAINS:**

- (1) STD DEPTH ADJ SHELF
- (1) STOKES BASKET RACK

**COMPARTMENT D4 CONTAINS:**

- (2) 1/2 DEPTH ADJ SLIDE OUT TRAYS
- CARGO RETENTION NETTING(LOWER)

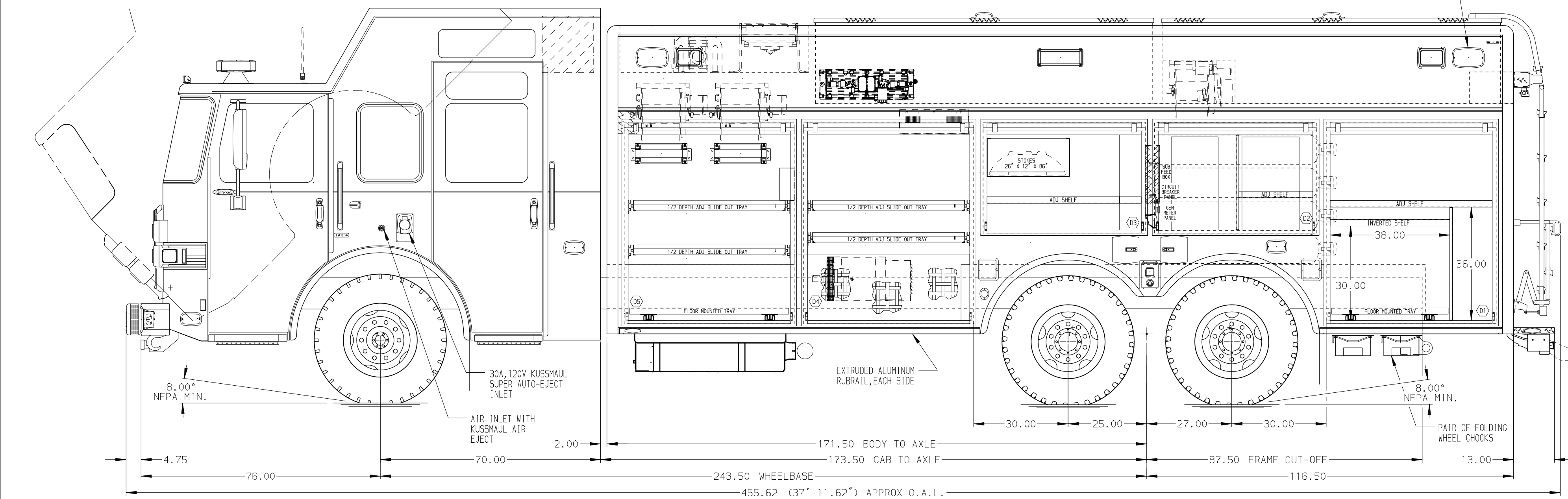
**COMPARTMENT D5 CONTAINS:**

- (1) KUSSMAUL 1200 CHARGER
- (2) 1/2 DEPTH ADJ SLIDE OUT TRAYS
- (1) STD DEPTH FLOOR MOUNTED TRAY
- (2) HYDRAULIC REELS W/150' OF HOSE EACH
- (1) HYD POWER UNIT CONTROL BOX

**REAR COMPARTMENT CONTAINS THE FOLLOWING:**

**COMPARTMENT R1 CONTAINS:**

- (1) HORIZONTAL FLOOR EXTENSION
- (1) RACK FOR 6 SCBA BOTTLES
- (2) VERTICAL COMPARTMENT DIVIDERS
- (1) RACK FOR 4 UN STYLE AIR STORAGE BOTTLES
- (1) HIGH PRESSURE AIR OUTLET
- (1) RACK FOR 3 SHEETS OF PLYWOOD
- (1) RACK FOR 3 PIKE POLES
- (3) 12" DEEP X 12" HIGH STORAGE TROUGHS WITH TREADPLATE DOOR



**COMPARTMENT D1 CONTAINS:**

- (1) SPECIAL HEIGHT VERTICAL DIVIDER
- (1) STD DEPTH INVERTED FIXED SHELF
- (1) STD DEPTH ADJ SHELF
- (1) STD DEPTH FLOOR MOUNTED TRAY

**COMPARTMENT D2 CONTAINS:**

- (1) STD DEPTH ADJ SHELF
- (1) VERTICAL COMPARTMENT DIVIDER
- (1) CIRCUIT BREAKER PANEL
- (1) SUB FEED BOX
- (1) GENERATOR METER PANEL
- (1) NIGHT SCAN CONTROLLER
- (1) ELECTRIC CORD REEL WITH 200' OF 10/3 BLACK CORD
- ACCESS PANELS FOR AIR BOTTLE RACK

**COMPARTMENT D3 CONTAINS:**

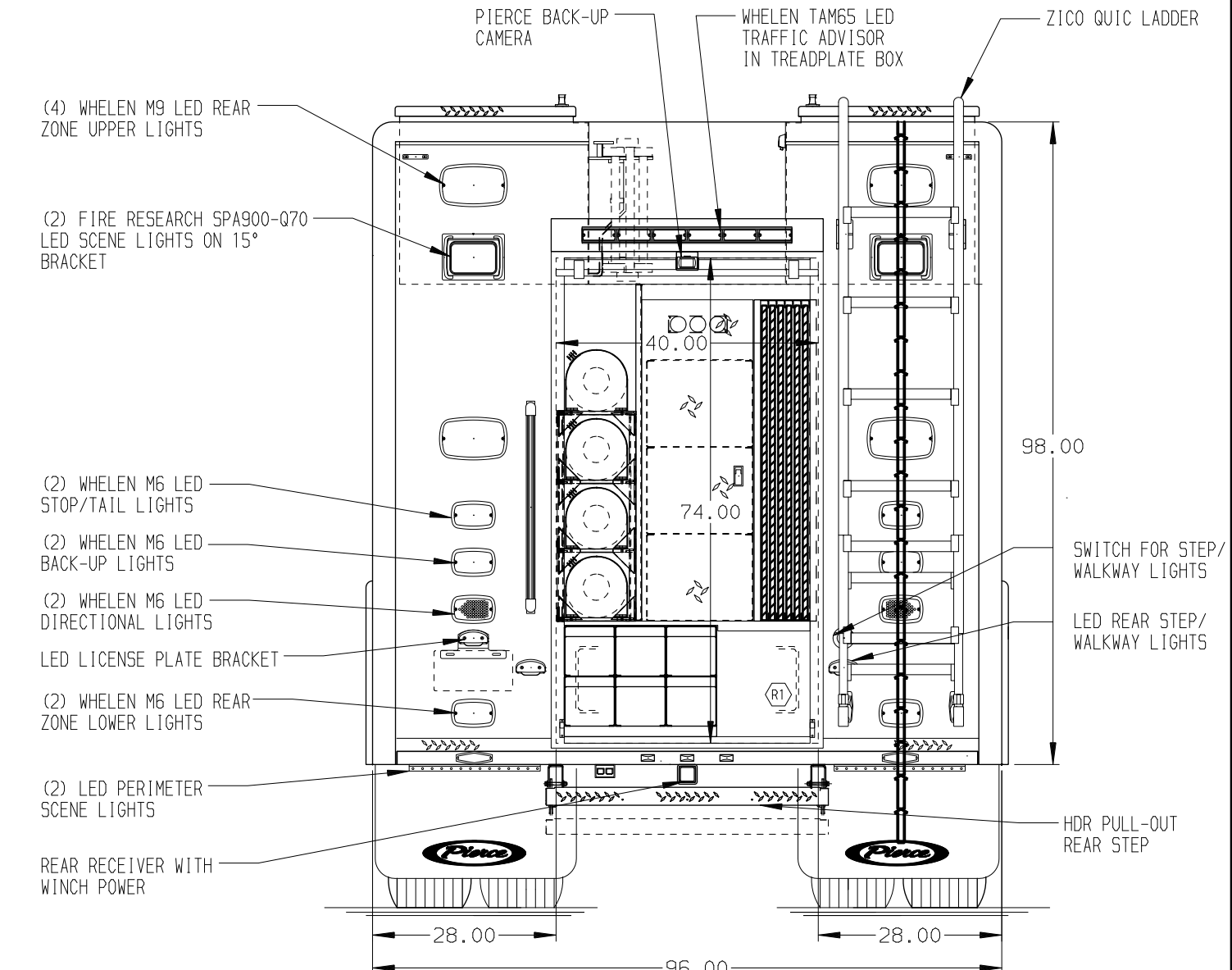
- (1) STD DEPTH ADJ SHELF
- (1) STOKES BASKET RACK

**COMPARTMENT D4 CONTAINS:**

- (2) 1/2 DEPTH ADJ SLIDE OUT TRAYS
- CARGO RETENTION NETTING(LOWER)

**COMPARTMENT D5 CONTAINS:**

- (1) KUSSMAUL 1200 CHARGER
- (2) 1/2 DEPTH ADJ SLIDE OUT TRAYS
- (1) STD DEPTH FLOOR MOUNTED TRAY
- (2) HYDRAULIC REELS W/150' OF HOSE EACH
- (1) HYD POWER UNIT CONTROL BOX



**NOTE**

DIMENSIONS SHOWN ARE APPROXIMATE AND ARE SUBJECT TO MINOR DEVIATIONS AS MAY OCCUR OR BE NECESSARY IN CONSTRUCTION. MINOR DETAILS NOT SHOWN.

**NOTES:**

- ONSPOT AUTOMATIC TIRE CHAINS
- WARN #9,000 PORTABLE WINCH
- FLOOR IN CAB AND CREW CAB TO BE PADDED RUBBER
- BATTERY CHARGE INDICATOR LOCATED ON DRIVER'S SEAT RISER
- PIERCE LED LIGHT STRIPS IN ALL BODY AND HATCH COMPARTMENTS
- ONAN 35kW SINGLE PHASE PTO DRIVEN GENERATOR LOCATED BETWEEN THE FRAME RAILS
- 20A, 120V 6-PLACE RECEPTACLE STRIP LOCATED BEHIND THE DRIVER'S SEAT
- POLISHED S/5 SCUFFPLATES ON CAB DOOR JAMBS

SIDE ROLL AND FRONTAL IMPACT PROTECTION

CLEAR DOOR WIDTH KEY		CHASSIS DATA
AMOR ROLL UP DOORS:	-2 1/4"	DATE
CORTITE ROLL UP DOORS:	-2 1/2"	MAKE
PIERCE DOUBLE LAP DOORS:	-4 1/4"	01MAY18 DHE AZU
PIERCE LIFT-UP LAP DOORS:	-1 1/2"	13APR18 DHE SBR
(EX: 60" F-F - 2 1/4" = 57 3/4" CLEAR)		09MAR18 ALZ AZU
(F-F) = FRAME TO FRAME		REV DATE BY CH
		EN7024

<b>Pierce MANUFACTURING INC.</b>		JOB NO.	32299
		SCALE	DATE
		1:24	
TITLE	HEAVY DUTY RESCUE NON-WALKIN	DRAWN BY	DHE 21FEB18
FOR	MOUNTAINTOP HOSE CO #1 MOUNTAINTOP, PA	CHECKED BY	CDK 23FEB18
DWG NO.	32299AD	SHEET SIZE	SHEET NO.
		D	1 OF 1