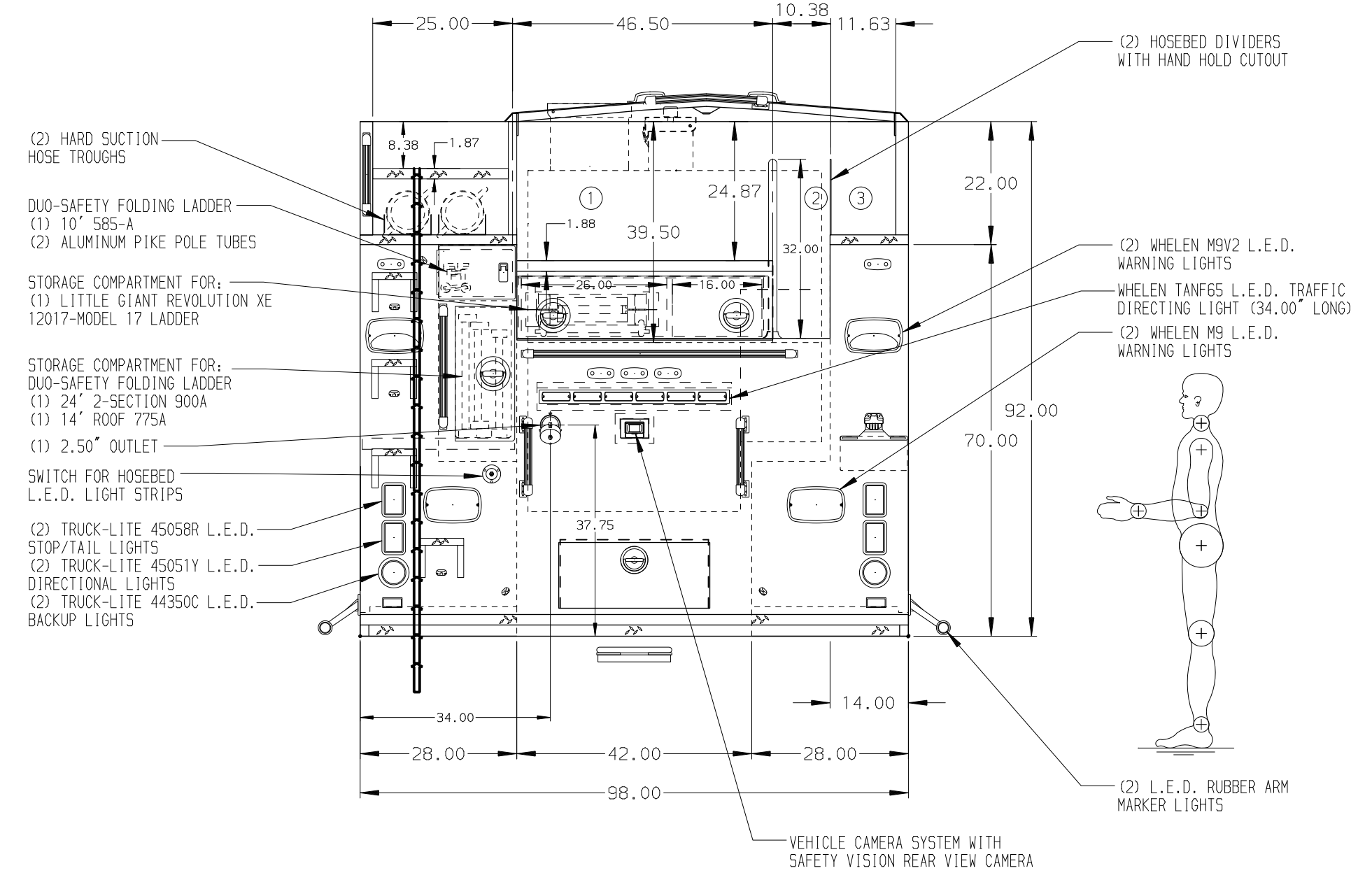
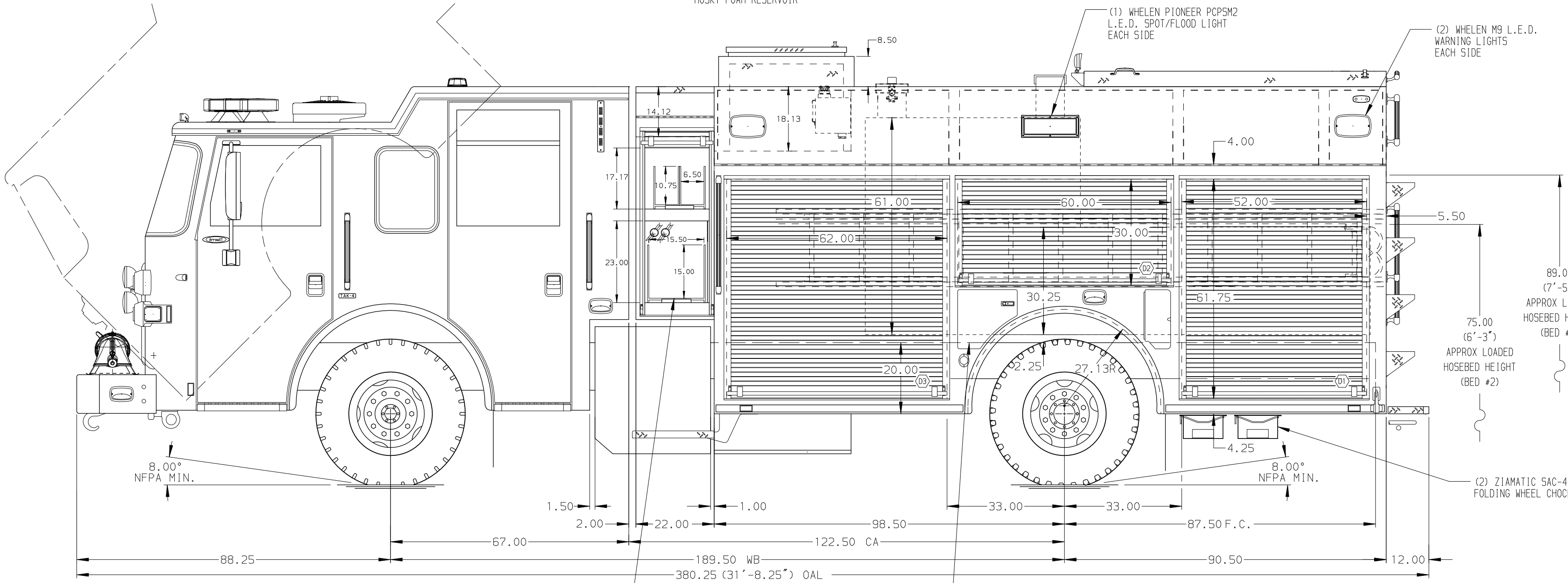


HOSEBED CAPACITIES
 ① 750' OF 5.00" HOSE
 ② 500' OF 2.50" HOSE
 ③ OPEN HOSEBED



ALUMINUM BODY

NOTE
 DIMENSIONS SHOWN ARE APPROXIMATE AND ARE SUBJECT TO MINOR DEVIATIONS AS MAY OCCUR OR BE NECESSARY IN CONSTRUCTION. MINOR DETAILS NOT SHOWN.

- BATTERY CHARGER LOCATED BEHIND DRIVER'S SEAT
- BATTERY CHARGE INDICATOR LOCATED NEAR DRIVER'S SEAT RISER WITH BRACKET
- ONE ADJUSTABLE SLIDE-OUT TRAY IN COMPARTMENT P3
- ONE FLOOR MOUNTED SLIDE-OUT TRAY IN COMPARTMENT P1
- ONE HORIZONTAL PARTITION IN COMPARTMENT P3
- CTECH DRAWER ASSEMBLY IN COMPARTMENT D3
- ONE VERTICAL PARTITION IN COMPARTMENT D1
- ONE VERTICAL PARTITION (SPECIAL HEIGHT) IN COMPARTMENT D1
- ALUMINUM PEGBOARD WITH TRACKS ON THE REAR WALL OF COMPARTMENTS D2, D3 & P1
- NORCOLD NR7518B REFRIGERATOR WITH ADJACENT A/C AND D/C OUTLET LOCATED IN THE CENTER EMS COMPARTMENT

- AIR INLET WITH DISCONNECT COUPLING LOCATED IN THE DRIVER'S SIDE STEP WELL
- 120V SHORELINE RECEPTACLE LOCATED IN THE DRIVER'S SIDE STEP WELL
- (2) ADDITIONAL POLY TRAY SHIPPED LOOSE

CUSTOMER APPROVAL				
APPROVED BY:		CHASSIS DATA	TITLE	1500-D-1030P 1000 GAL OF WATER W/ 30 GAL FOAM CELL
DATE:		MAKE	FOR	189" PUC PMPR, (2) X-LAYS, LDERS. BTW. TANK & S. SHEET
		PIERCE		LAKE COUNTRY FIRE AND RESCUE
		MODEL		DELAFIELD, WI
REV	DATE	BY	CH	ARROW XT

		JOB NO.	32338
		SCALE	1:24
DRAWN BY CUP		DATE	
		CHECKED BY	WKL
SHEET SIZE D		SHEET NO.	1 OF 1
		DWG NO. 32338AD	