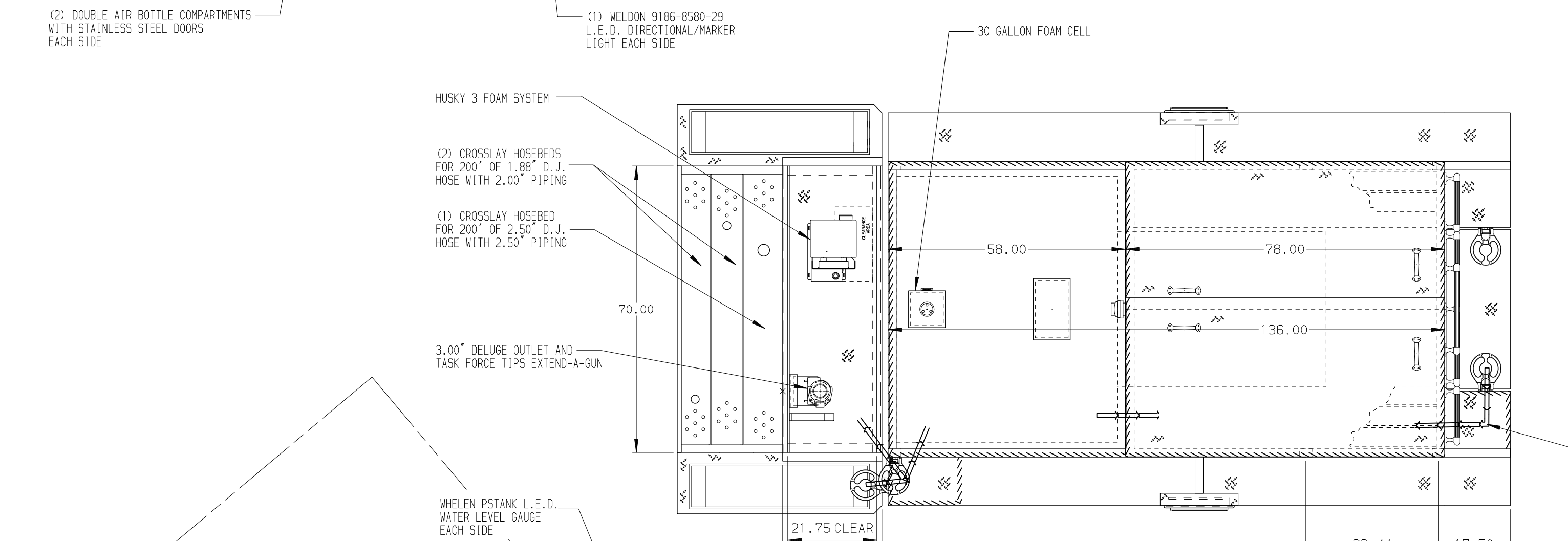
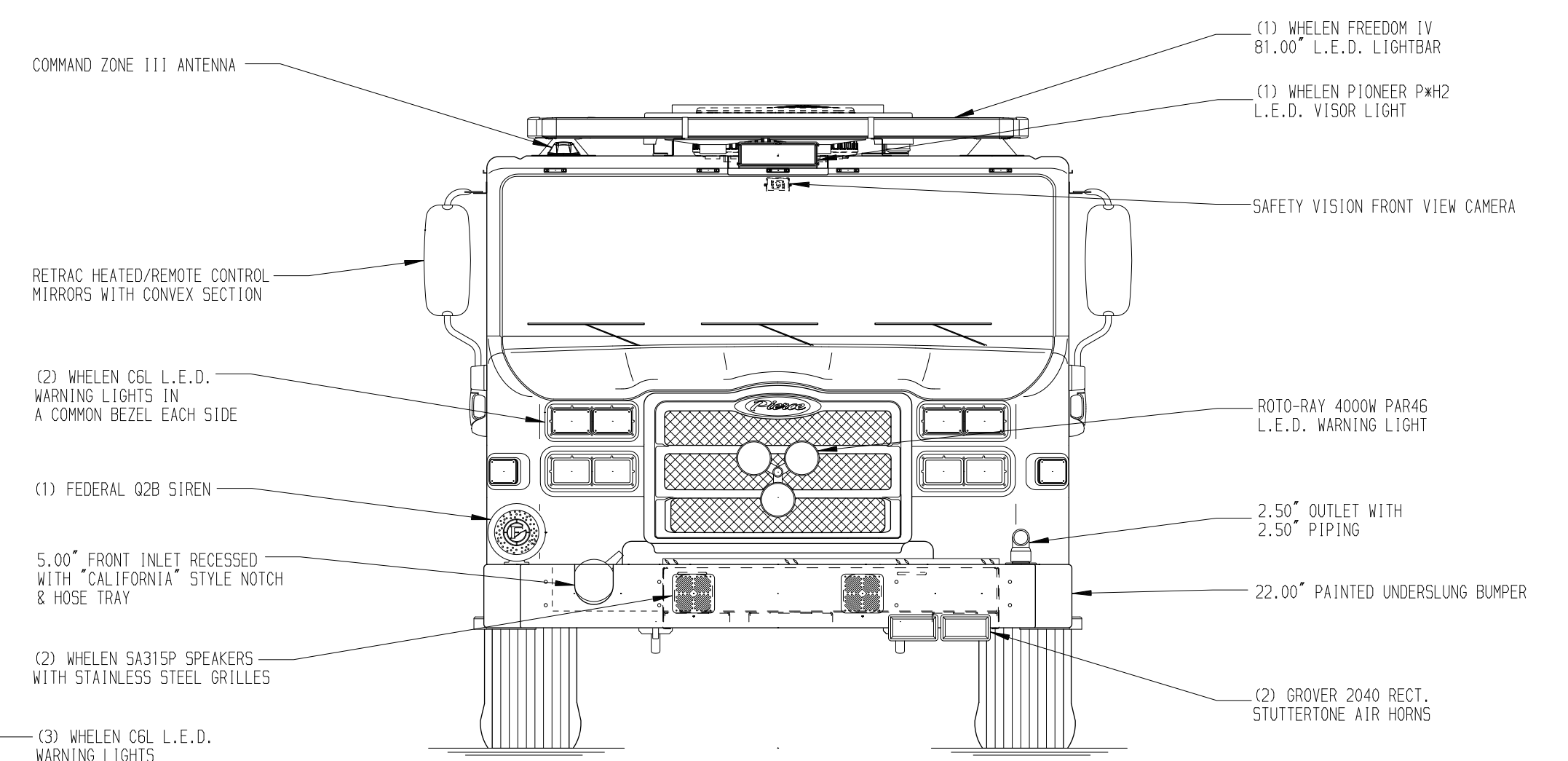
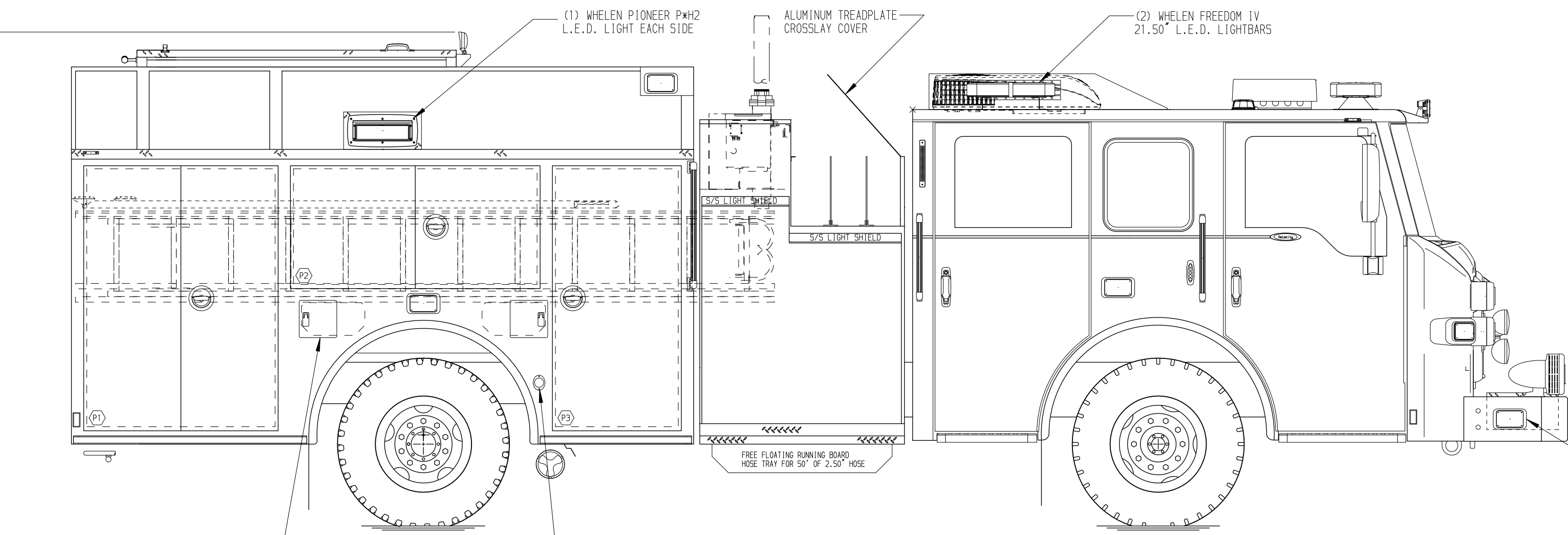
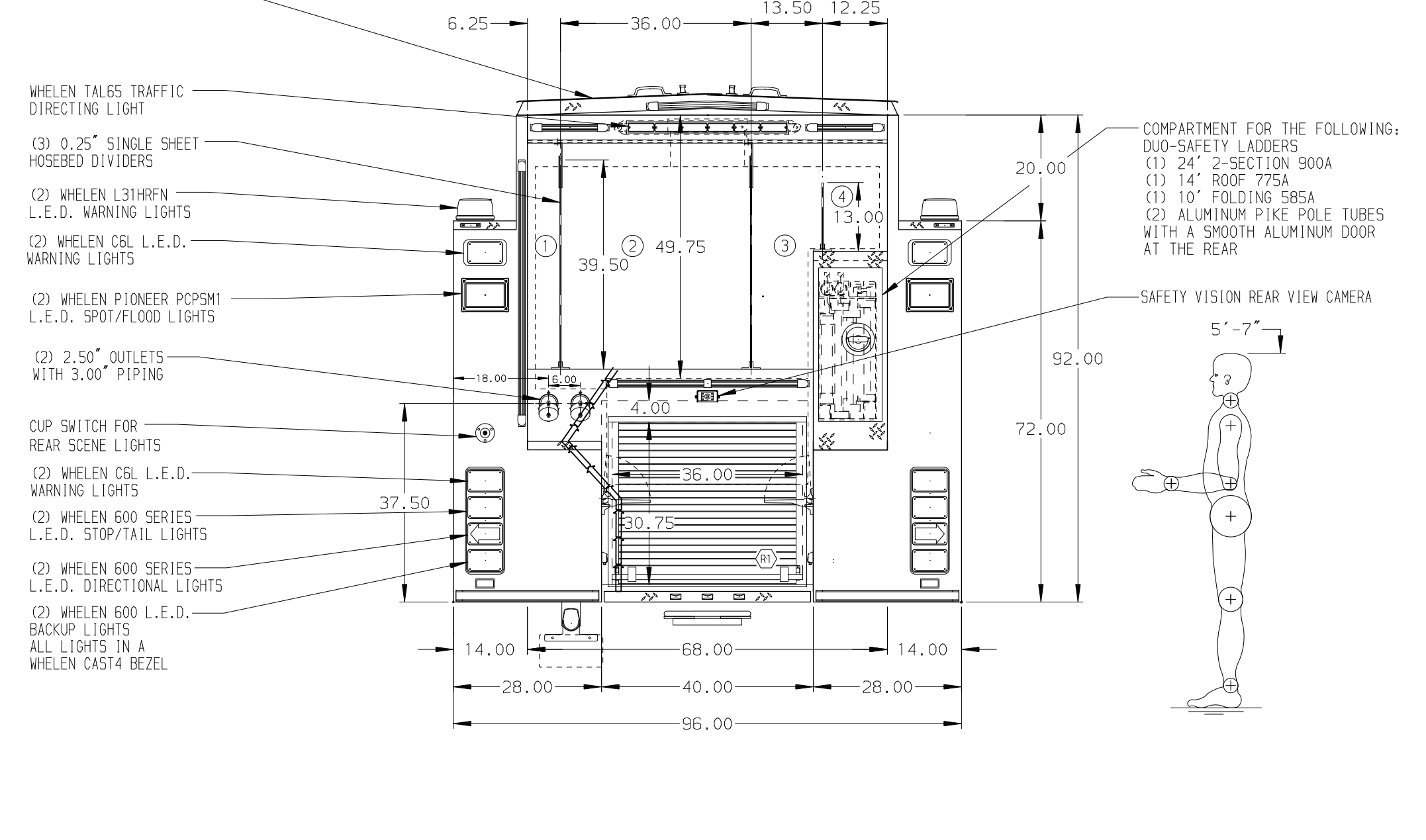
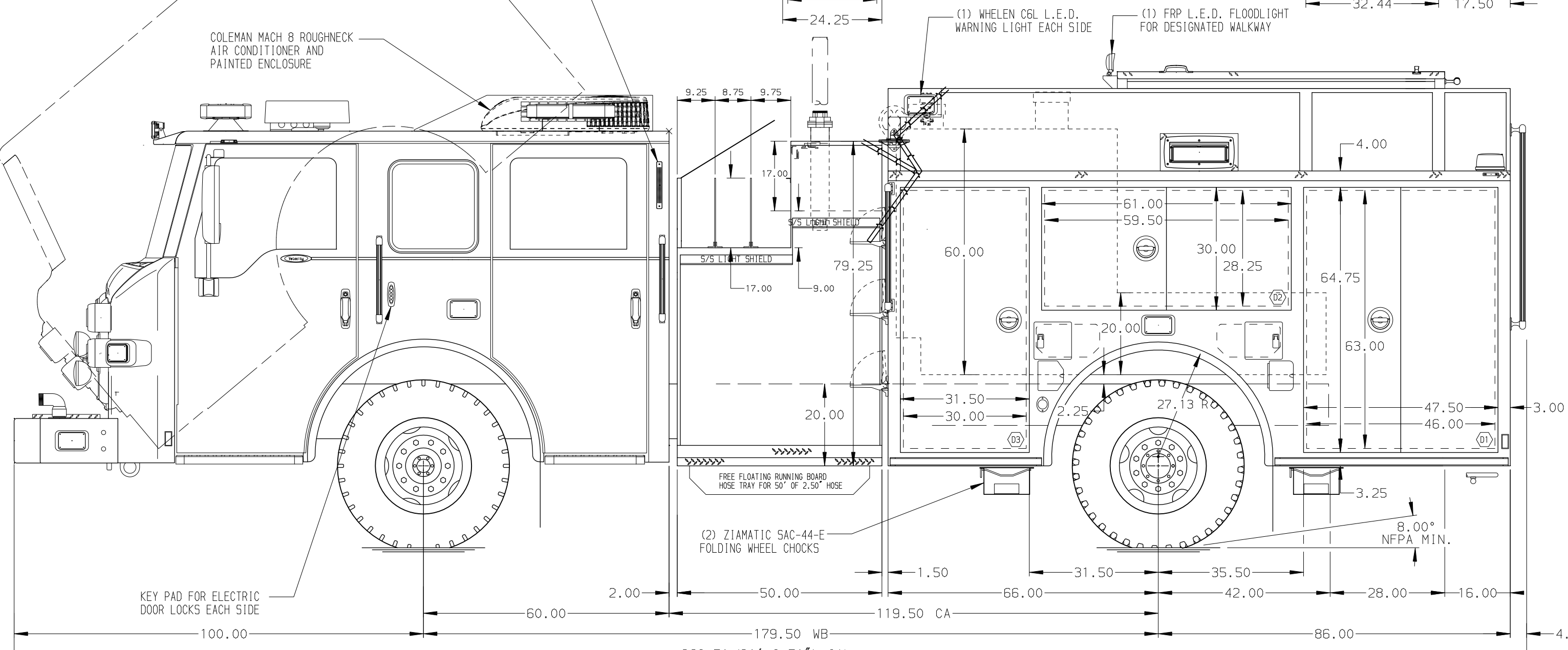


124.00
(10'-4")
APPROX
O.A.H.



- HOSEBED CAPACITIES
- ① 200' OF 2.50" D.J. HOSE
 - ② 1500' OF 4.00" D.J. HOSE
 - ③ 400' OF 2.50" D.J. HOSE
 - ④ 200' OF 2.50" D.J. HOSE



ALUMINUM BODY

NOTE
DIMENSIONS SHOWN ARE APPROXIMATE AND ARE SUBJECT TO MINOR DEVIATIONS AS MAY OCCUR OR BE NECESSARY IN CONSTRUCTION. MINOR DETAILS NOT SHOWN.

- 1. BATTERY CHARGER LOCATED IN COMPARTMENT D3
- 2. BATTERY CHARGE INDICATOR LOCATED NEAR DRIVER'S SEAT RISER WITH BRACKET
- 3. DRIP PAN GUARD FOR ROLL-UP DOOR LOCATED IN COMPARTMENT R1
- 4. ONE FULL WIDTH ADJUSTABLE SHELF LOCATED IN COMPARTMENTS D1, D3, P1, P2, P3
- 5. ONE FLOOR MOUNTED SLIDE-OUT TRAY IN COMPARTMENTS P1, R1

CUSTOMER APPROVAL			
APPROVED BY: _____			
DATE: _____			
CHASSIS DATA	TITLE	1750-D-720P W/30G FOAM, 152", FULL HEIGHT, FDLER	
MAKE	FOR	(3) X-LAYS, DELUGE	
PIERCE	FOR	ST. ANDREWS FIRE DEPARTMENT	
MODEL	FOR	ST. ANDREWS, SOUTH CAROLINA	
VELOCITY	DWG NO.	32357AD	

		JOB NO.	PRELIM
		SCALE	DATE
		1:24	
		DRAWN BY	10APR18
		JWO	
		CHECKED BY	11APR18
		CDU	
		SHEET SIZE	SHEET NO.
		D	1 OF 1