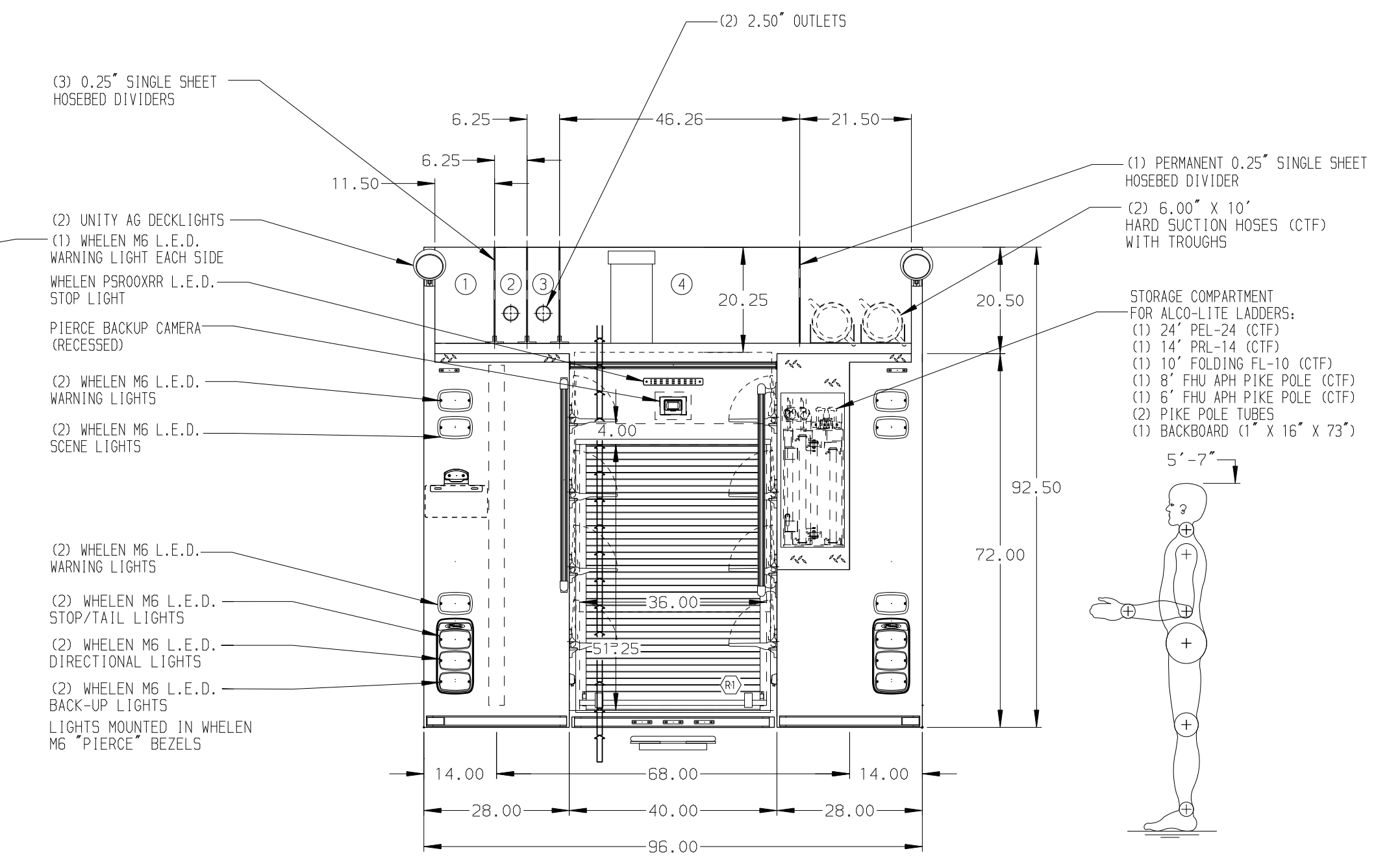
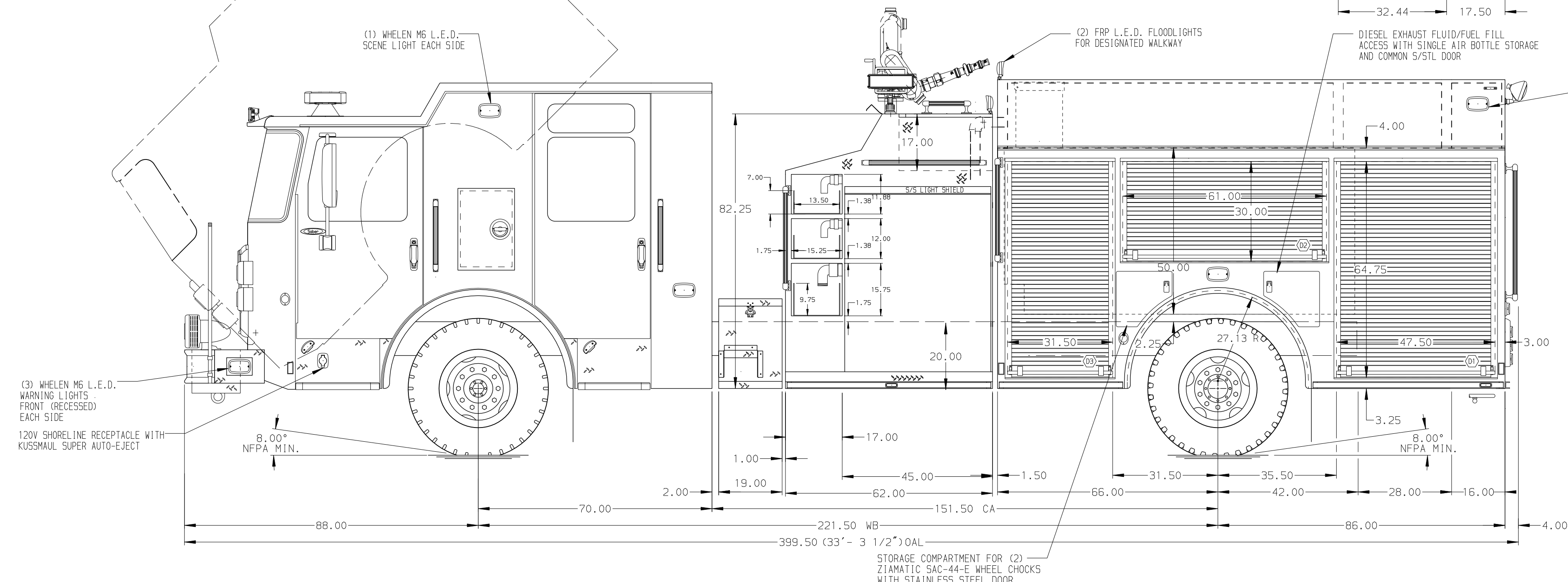


- HOSEBED CAPACITIES
- ① 300' OF 3.00" D.J. POLY HOSE
 - ② 150' OF 3.00" D.J. POLY HOSE
 - ③ 150' OF 3.00" D.J. POLY HOSE
 - ④ 1000' OF 5.00" D.J. POLY HOSE



ALUMINUM BODY MAXIMUM O.A.L. 420.00" MAXIMUM O.A.H. 129.00"

NOTE
DIMENSIONS SHOWN ARE APPROXIMATE AND ARE SUBJECT TO MINOR DEVIATIONS AS MAY OCCUR OR BE NECESSARY IN CONSTRUCTION. MINOR DETAILS NOT SHOWN.

CUSTOMER APPROVAL				Pierce MANUFACTURING INC.	JOB NO.	32382		
APPROVED BY:					SCALE	1:24	DATE	
DATE:				TITLE	2000-D-750, 152" BODY, TOP MOUNT CONTROL PANEL SPEEDLAYS, DELUGE, LADDER STORAGE BETWEEN TANK/BODY		DRAWN BY	JRO 12APR18
		CHASSIS DATA	MAKE	FOR	HILLSBOROUGH COUNTY FIRE RESCUE TAMPA, FLORIDA		CHECKED BY	SMA 13APR18
		PIERCE	MODEL	DWG NO.	32382AD		SHEET SIZE	D
REV	DATE	BY	CH	SABER FR			SHEET NO.	1 OF 1