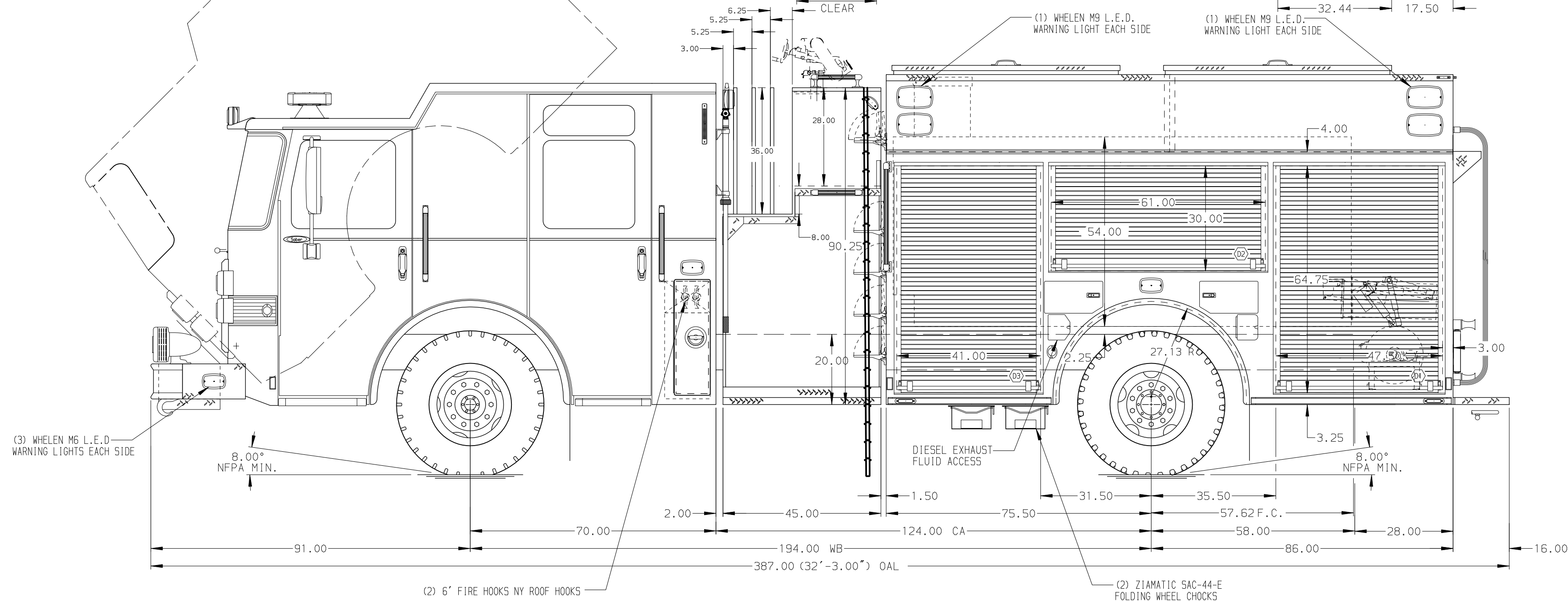
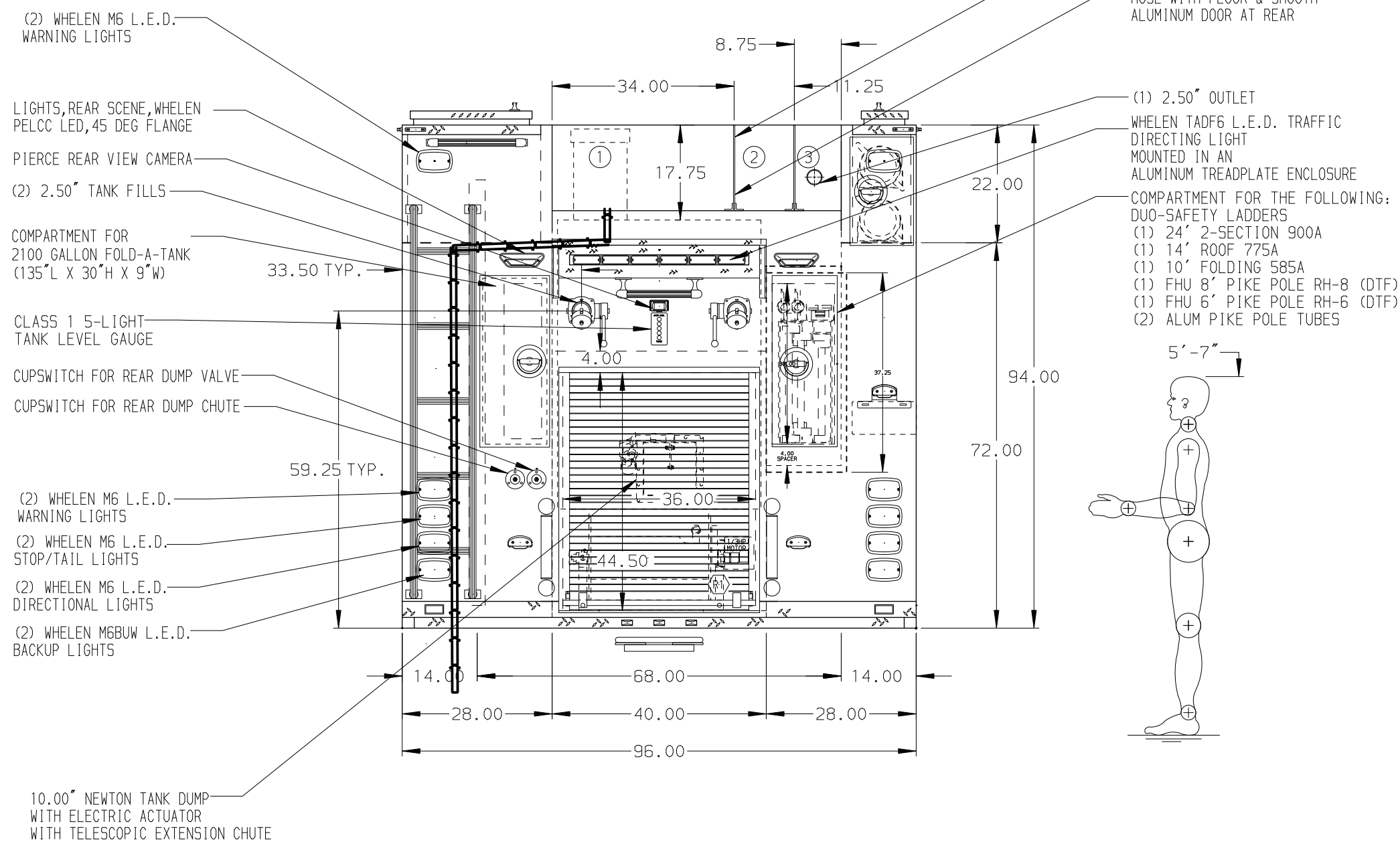


- HOSEBED CAPACITIES**
- ① 1000' OF 4.00" HOSE
 - ② 300' OF 3.00" HOSE
 - ③ 200' OF 2.50" HOSE



- SURFACE DESIGNATION AND PATHWAY MARKINGS
- 8.00" FULL WIDTH ALUMINUM TREADPLATE STEP
- SWIMMING POOL STYLE ACCESS LADDER



ALUMINUM BODY

SIDE ROLL AND FRONTAL IMPACT PROTECTION

NOTE
DIMENSIONS SHOWN ARE APPROXIMATE AND ARE SUBJECT TO MINOR DEVIATIONS AS MAY OCCUR OR BE NECESSARY IN CONSTRUCTION. MINOR DETAILS NOT SHOWN.

REV	DATE	BY	CH	SABER FR
17AUG18	RWI	GSC		
13JUL18	RWI	GSC		

		JOB NO.	32408
		SCALE	DATE
TITLE	1500-D-1000 GAL POLY, 161" BODY LADDERS BETWEEN TANK & SIDE SHEET, (3) X-LAYS	DRAWN BY	LST
FOR	RURAL HALL FIRE DEPARTMENT RURAL HALL, NORTH CAROLINA	CHECKED BY	CDU
DWG NO.	32408AD	SHEET SIZE	SHEET NO.
		D	1 OF 1