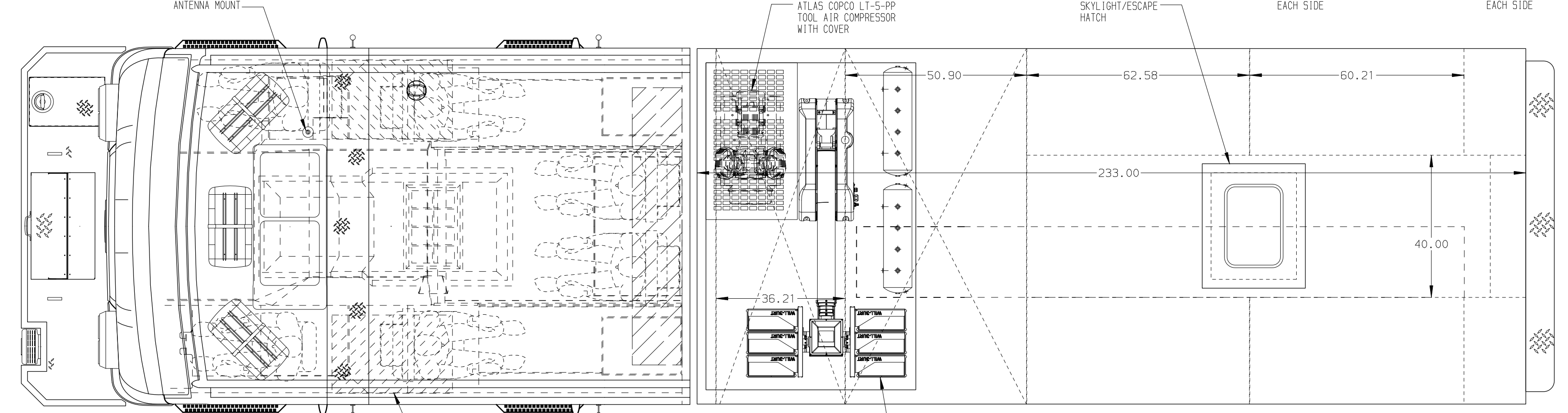
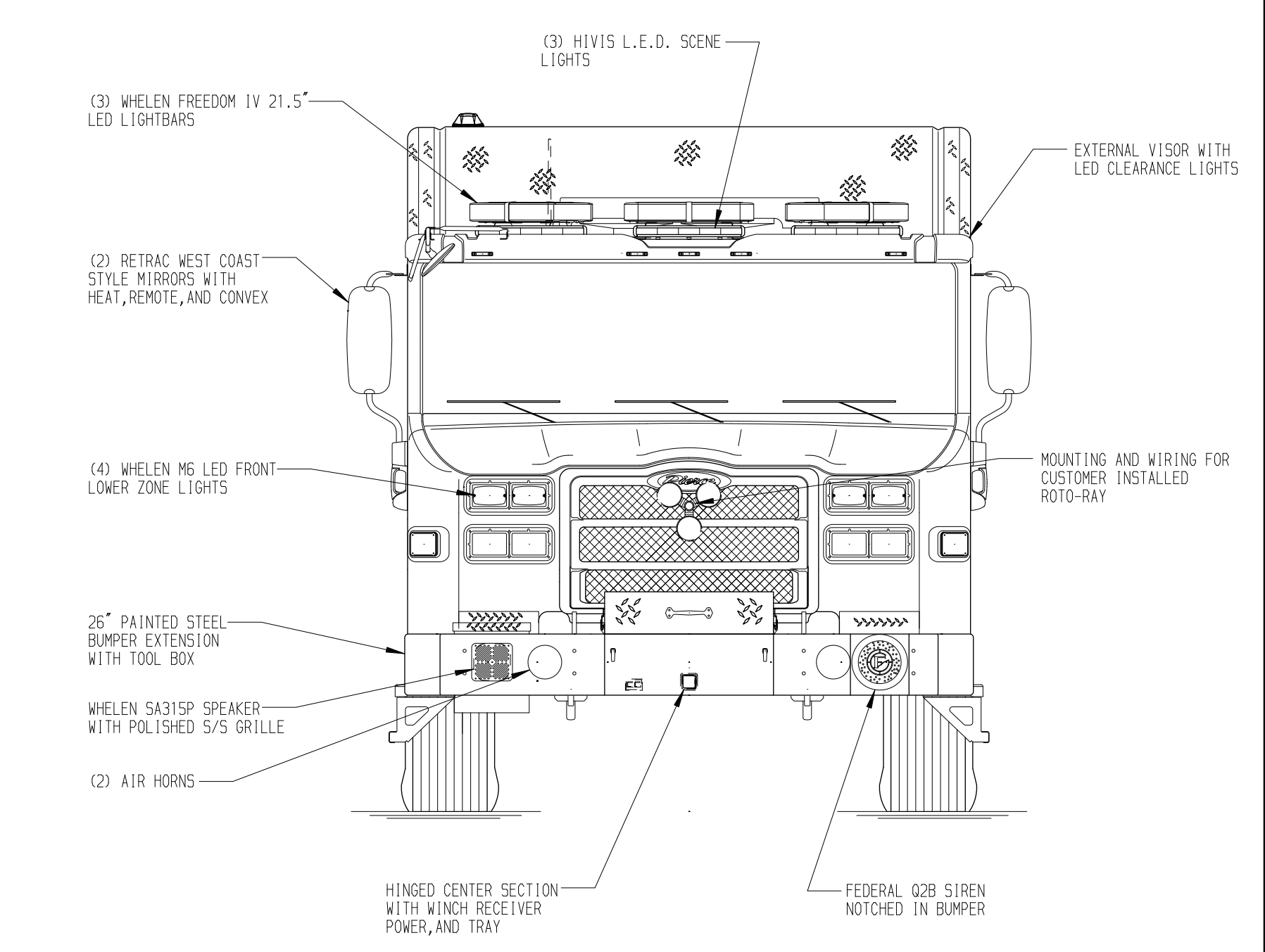
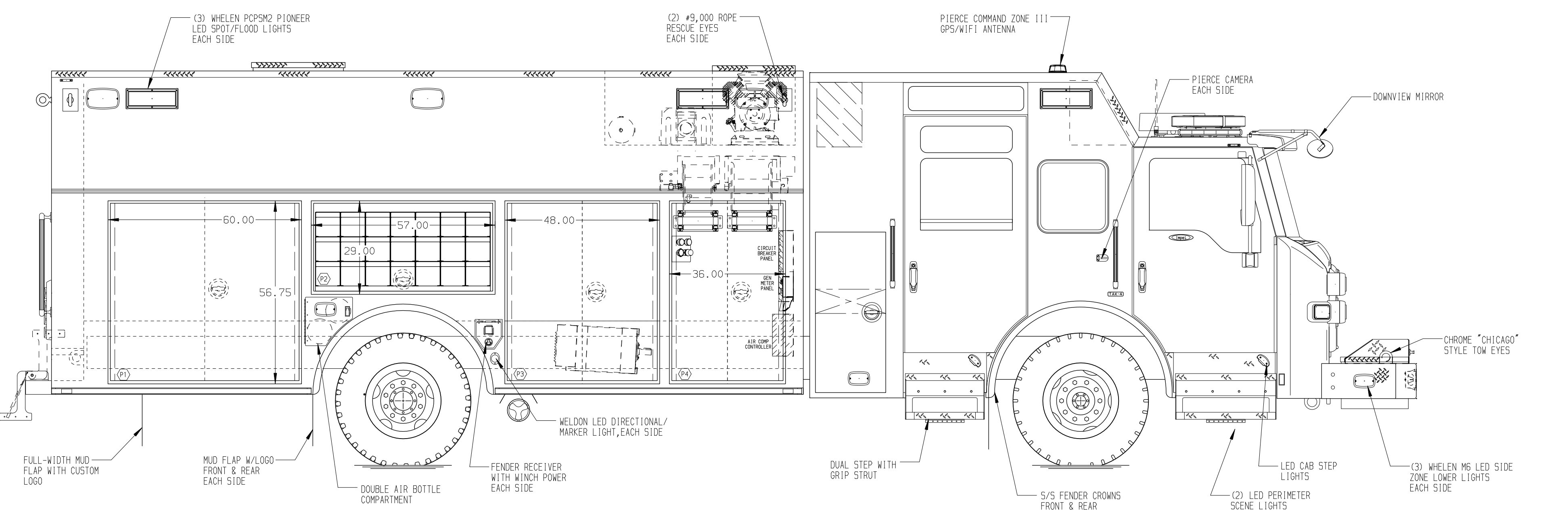
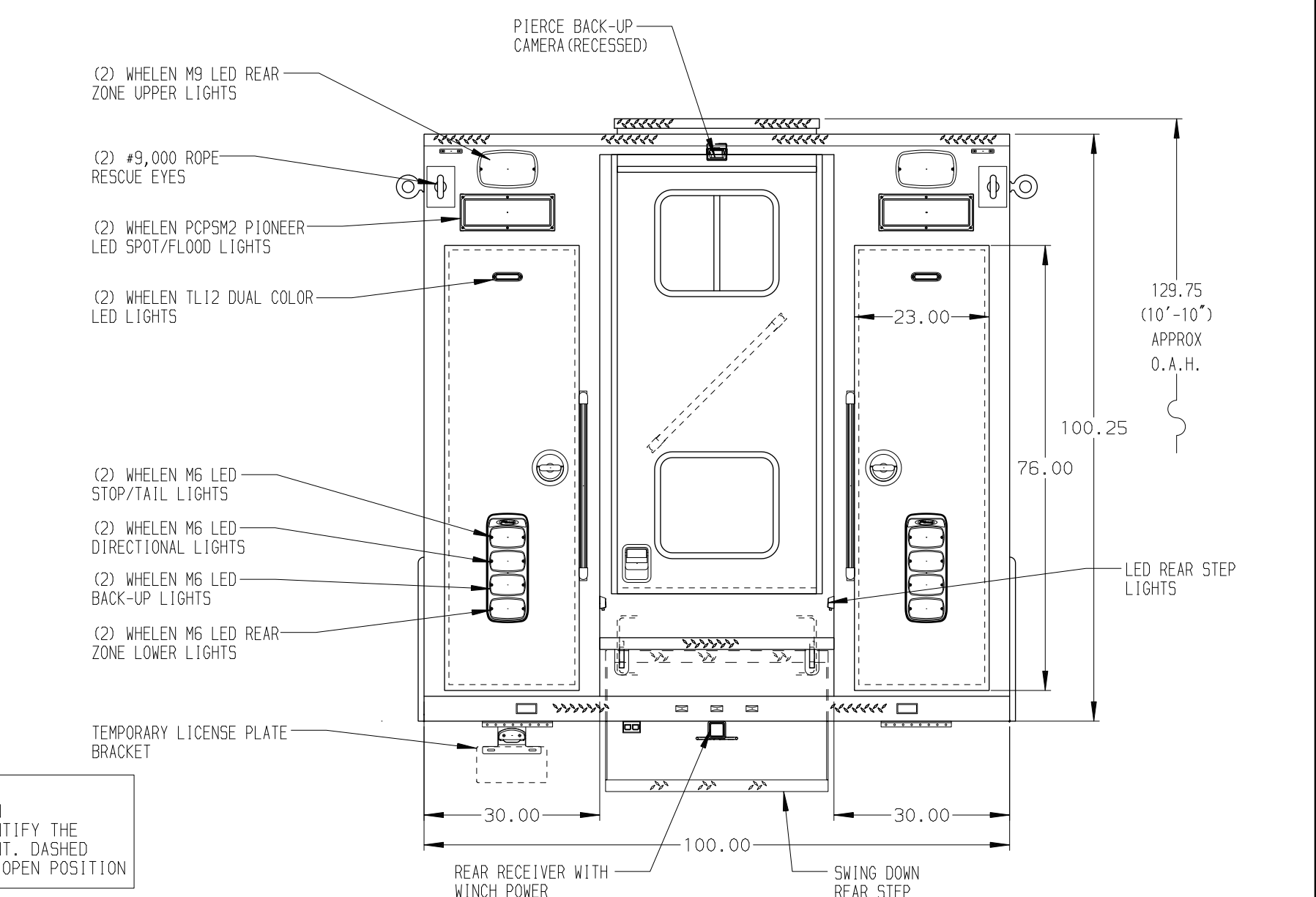
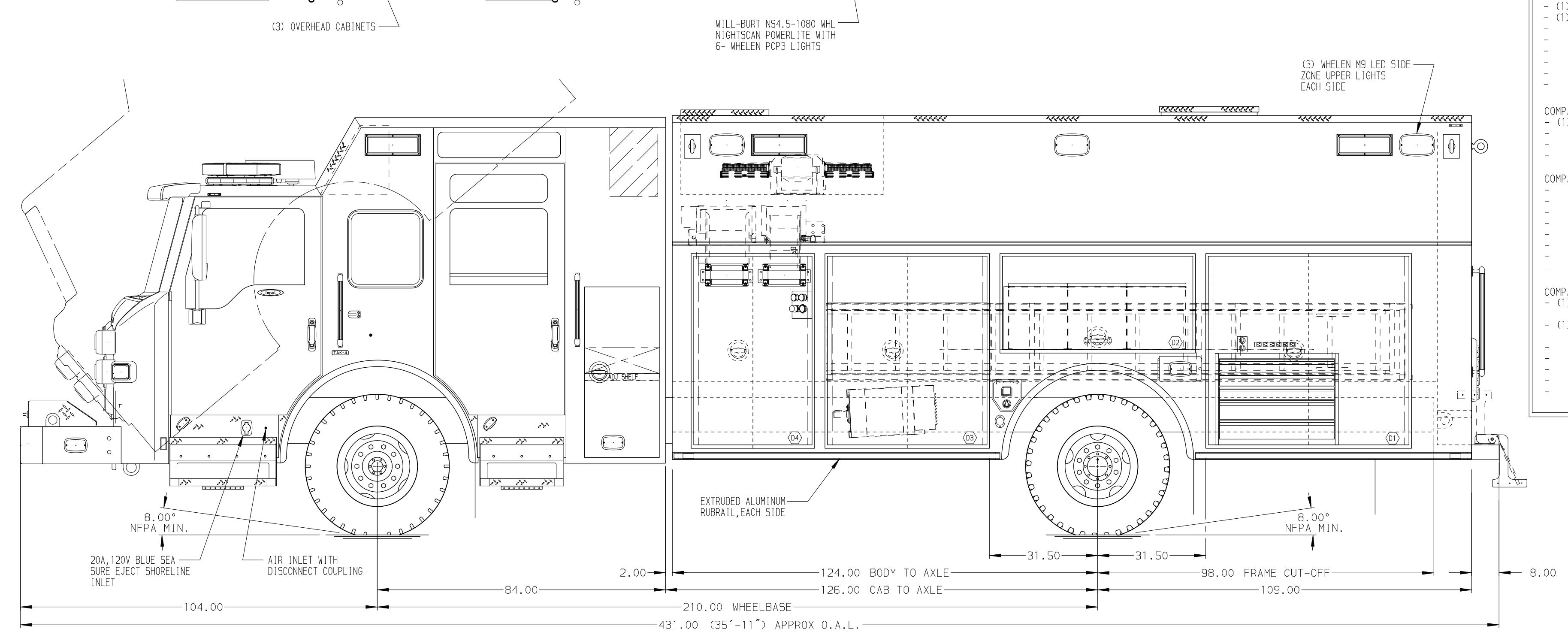


- PASSENGER'S SIDE COMPARTMENTS CONTAIN THE FOLLOWING:**
- COMPARTMENT P1 CONTAINS:**
    - 
    - 
    - 
    - 
    - 
    - 
    -
  - COMPARTMENT P2 CONTAINS:**
    - (1) RACK FOR 21 SCBA BOTTLES
    - 
    -
  - COMPARTMENT P3 CONTAINS:**
    - (1) 15A, 120V 6-PLACE RECEPTACLE
    - 
    - 
    - 
    - 
    - 
    -
  - COMPARTMENT P4 CONTAINS:**
    - (1) CIRCUIT BREAKER PANEL
    - (1) GENERATOR METER PANEL
    - (1) NIGHTSCAN CONTROLLER
    - (1) AKRON ELECTRIC CORD REEL WITH 200' OF 10/3 YELLOW CORD
    - (1) ATLAS CORPC COMPRESSOR CONTROLLER
    - (1) TOOL AIR REEL W/200' OF HOSE WITH REGULATOR AND GAUGES
    - 
    -



- DRIVER'S SIDE COMPARTMENTS CONTAIN THE FOLLOWING:**
- COMPARTMENT D1 CONTAINS:**
    - (1) 5-DRAWER C-TECH CABINET
    - (1) 6-PLACE RECEPTACLE STRIP
    - 
    -
  - COMPARTMENT D2 CONTAINS:**
    - (1) EQUIPMENT STORAGE MODULE
    - 
    -
  - COMPARTMENT D3 CONTAINS:**
    - 
    - 
    -
  - COMPARTMENT D4 CONTAINS:**
    - (1) AKRON ELECTRIC CORD REEL WITH 200' OF 10/3 YELLOW CORD
    - (1) TOOL AIR REEL W/200' OF HOSE WITH REGULATOR AND GAUGES
    - 
    -



**NOTE:**  
LAP DOORS HAVE BEEN SHOWN IN HIDDEN LINES TO CLEARLY IDENTIFY THE EQUIPMENT IN EACH COMPARTMENT. DASHED LINES ON SIDES ARE DOORS IN OPEN POSITION

**NOTE**  
DIMENSIONS SHOWN ARE APPROXIMATE AND ARE SUBJECT TO MINOR DEVIATIONS AS MAY OCCUR OR BE NECESSARY IN CONSTRUCTION. MINOR DETAILS NOT SHOWN.

- NOTES:**
- ONAN 25KW SINGLE PHASE PTO DRIVEN GENERATOR LOCATED BETWEEN THE FRAME RAILS
  - ALUMINUM TREADPLATE ON FRONT SLANT OF 20\"/>

STAINLESS STEEL BODY  
SIDE ROLL AND FRONTAL IMPACT PROTECTION

CLEAR DOOR WIDTH KEY				CHASSIS DATA			
AMDR ROLL UP DOORS:	-2 1/4"	14SEP18	DHE	CDK	MAKE	PIERCE	MODEL
CORTITE ROLL UP DOORS:	-2 1/2"	26JUL18	AZU	CDK	REV	DATE	BY
PIERCE DOUBLE LAP DOORS:	-4 1/4"	07JUN18	DHE	CDK	CH	IMFR8420	
PIERCE LIFT-UP LAP DOORS:	-1 1/2"						
(EX: 60\"/>							

<b>Pierce</b> MANUFACTURING INC.		JOB NO.	32444
		SCALE	1:24
		DATE	
TITLE	HEAVY DUTY RESCUE WALKIN	DRAWN BY	DHE 30MAY18
FOR	KENT FIRE DEPARTMENT KENT, OH	CHECKED BY	CDK 30MAY18
DWG NO.	32444AD-SH1	SHEET SIZE	D
		SHEET NO.	1 OF 1