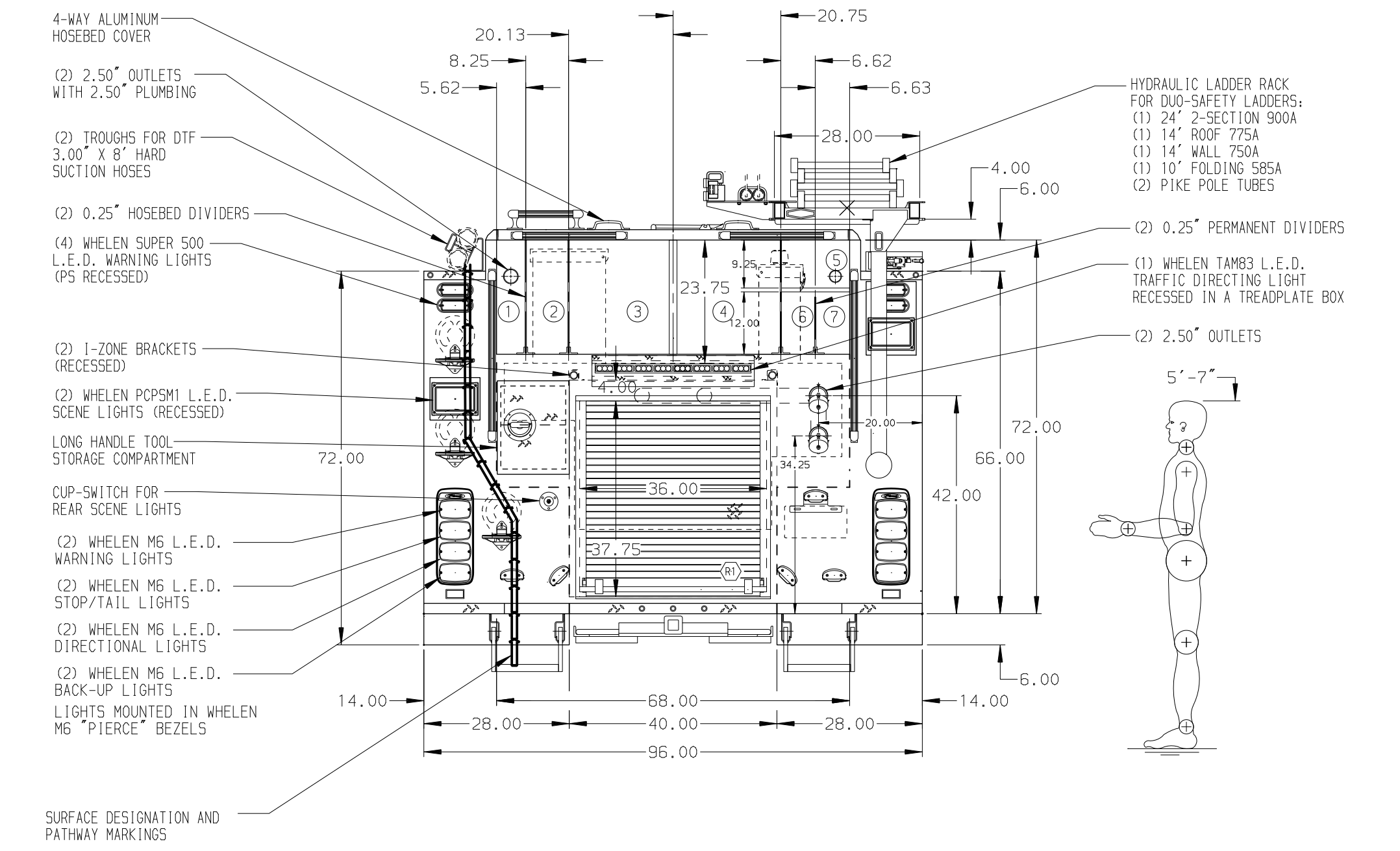
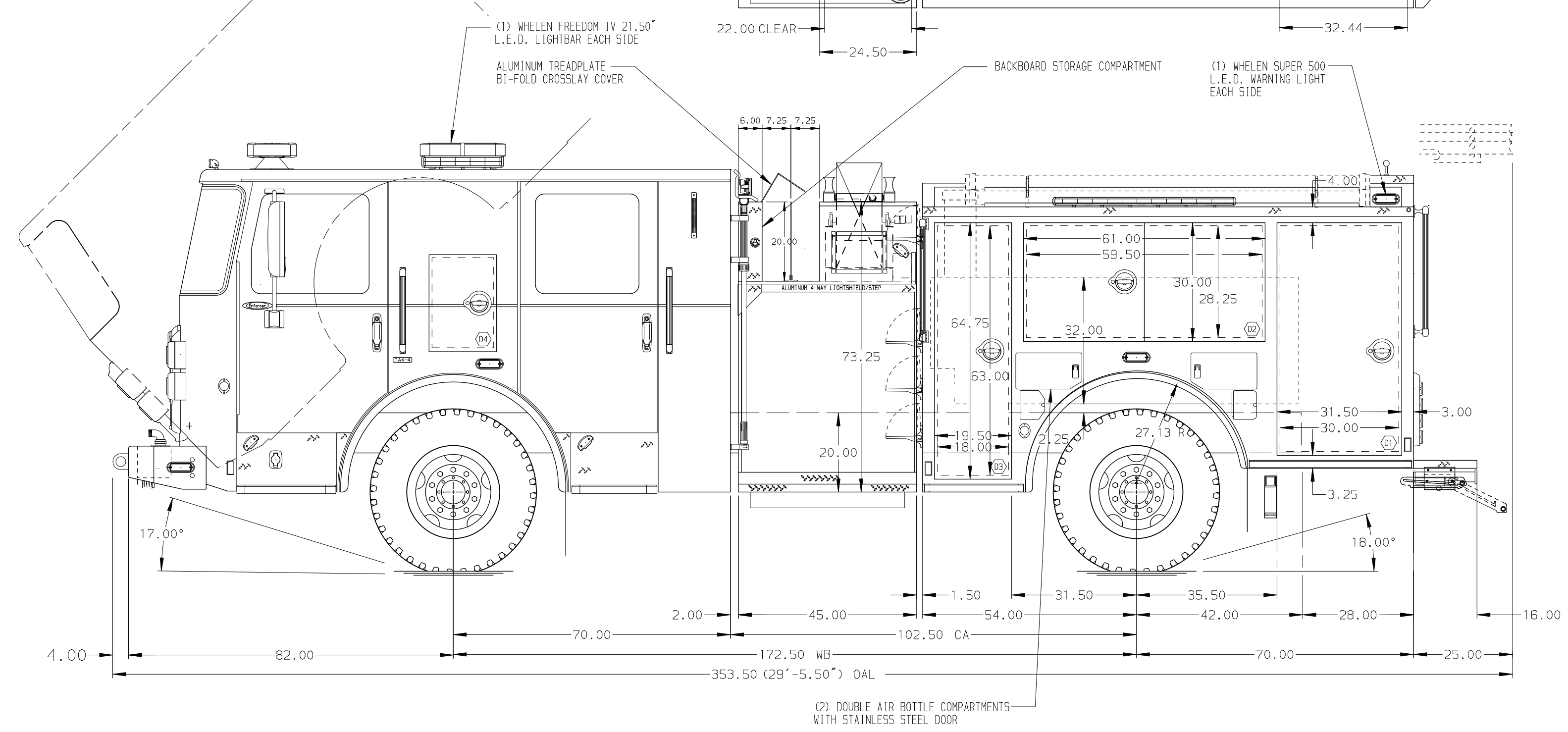


- HOSEBED CAPACITIES
- ① 200' OF 2.50" D.J. POLY HOSE
  - ② OPEN BAY
  - ③ 700' OF 3.00" D.J. POLY HOSE
  - ④ 700' OF 3.00" D.J. POLY HOSE
  - ⑤ 200' OF 1.75" D.J. POLY HOSE
  - ⑥ 200' OF 1.50" D.J. POLY HOSE
  - ⑦ 200' OF 1.50" D.J. POLY HOSE



GALVANNEAL

MAXIMUM O.A.H. 118.00"

SIDE ROLL AND FRONTAL IMPACT PROTECTION

CUSTOMER APPROVAL

APPROVED BY: \_\_\_\_\_  
DATE: \_\_\_\_\_



JOB NO. 32445

SCALE 1:24 DATE

REV	DATE	BY	CH	ENFORCER
1	11MAY18	AMI	CCA	

TITLE 1500-D-500P W/25 GAL FOAM, 124" BODY, 6" RAISED REAR (2)XLAYS, BOOSTER REEL, DELUGE, AUX. HYDRAULIC PUMP

FOR PENRYN FIRE PROTECTION DISTRICT PENRYN, CALIFORNIA

DWG NO. 32445AD

DRAWN BY	CHECKED BY	SHEET SIZE	SHEET NO.
AMI	CCA	D	1 OF 1

NOTE  
DIMENSIONS SHOWN ARE APPROXIMATE AND ARE SUBJECT TO MINOR DEVIATIONS AS MAY OCCUR OR BE NECESSARY IN CONSTRUCTION. MINOR DETAILS NOT SHOWN.

1. CTF WHEEL CHOCKS AND MOUNTING BRACKETS
2. AIR INLET W/ DISCONNECT FITTING LOCATED
3. BATTERY CHARGER LOCATED BEHIND DRIVER'S SEAT
4. BATTERY CHARGE INDICATOR LOCATED ON DRIVER'S SEAT RISER
5. FOUR WHELEN 01-066008-00 12V L.E.D. LIGHTS LOCATED IN THE HOSE BED
6. KEYPED LOCKS FOR LATCHES ON COMPARTMENT DOORS D1, D2, D3, P1, P2 & P3
7. ONE FULL WIDTH/DEPTH PAINTED ADJUSTABLE SHELF IN COMPARTMENTS D2, D3, D4, P2, P3, & P4
8. ONE FLOOR MOUNTED SLIDE-OUT TRAY IN COMPARTMENTS D4 & D1
9. ONE SKING-OUT ALUMINUM TOOLBOARD W/O HOLES IN COMPARTMENT P2
10. BLISTER FOR PIPING IN COMPARTMENT R1

11. PARTITION BETWEEN COMPARTMENTS D1/R1 AND P1/R1
12. ONE VERTICAL PARTITION LOCATED IN COMPARTMENT D3
13. TWO Z100 AIR BOTTLE HOLDERS LOCATED IN COMPARTMENT D3