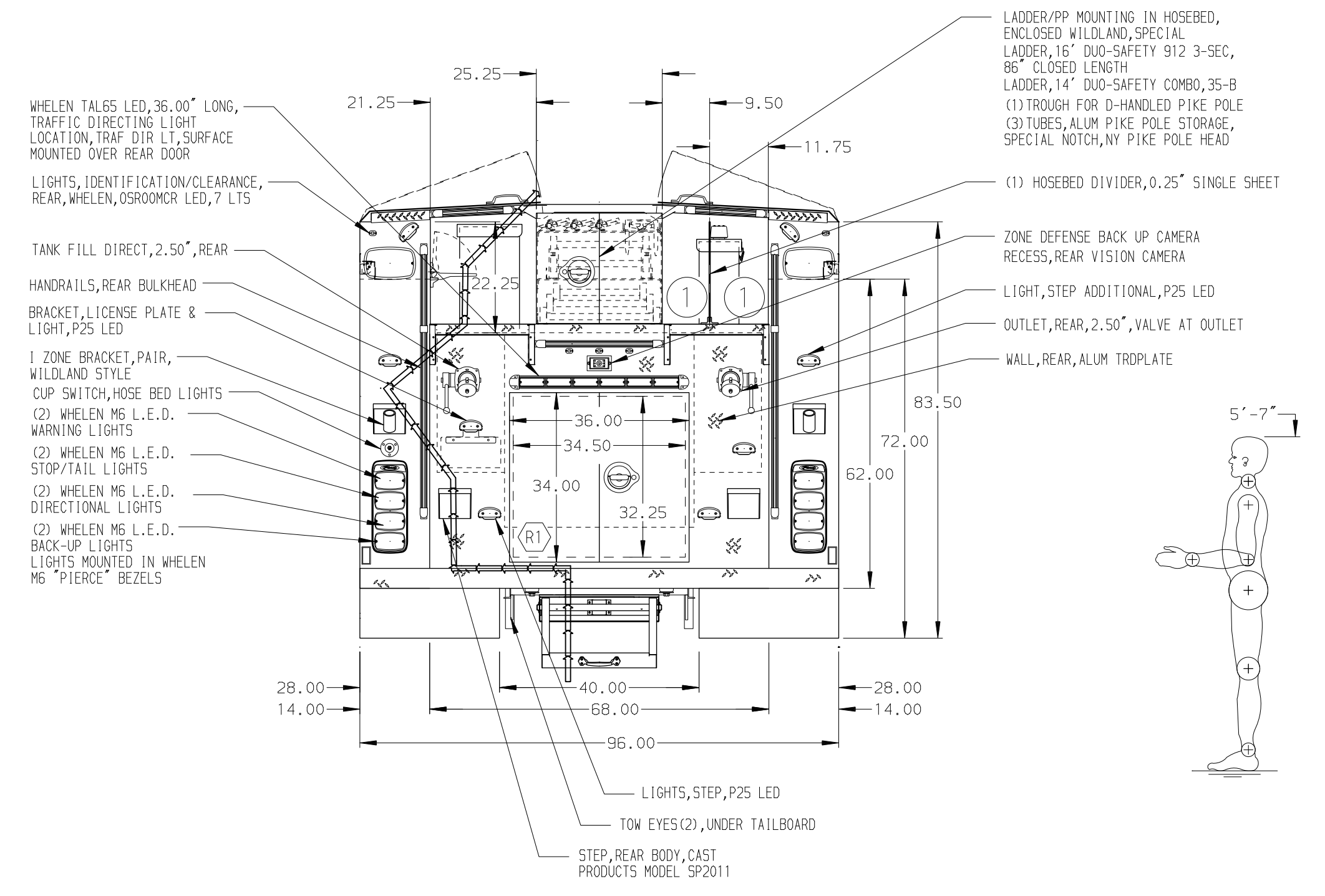
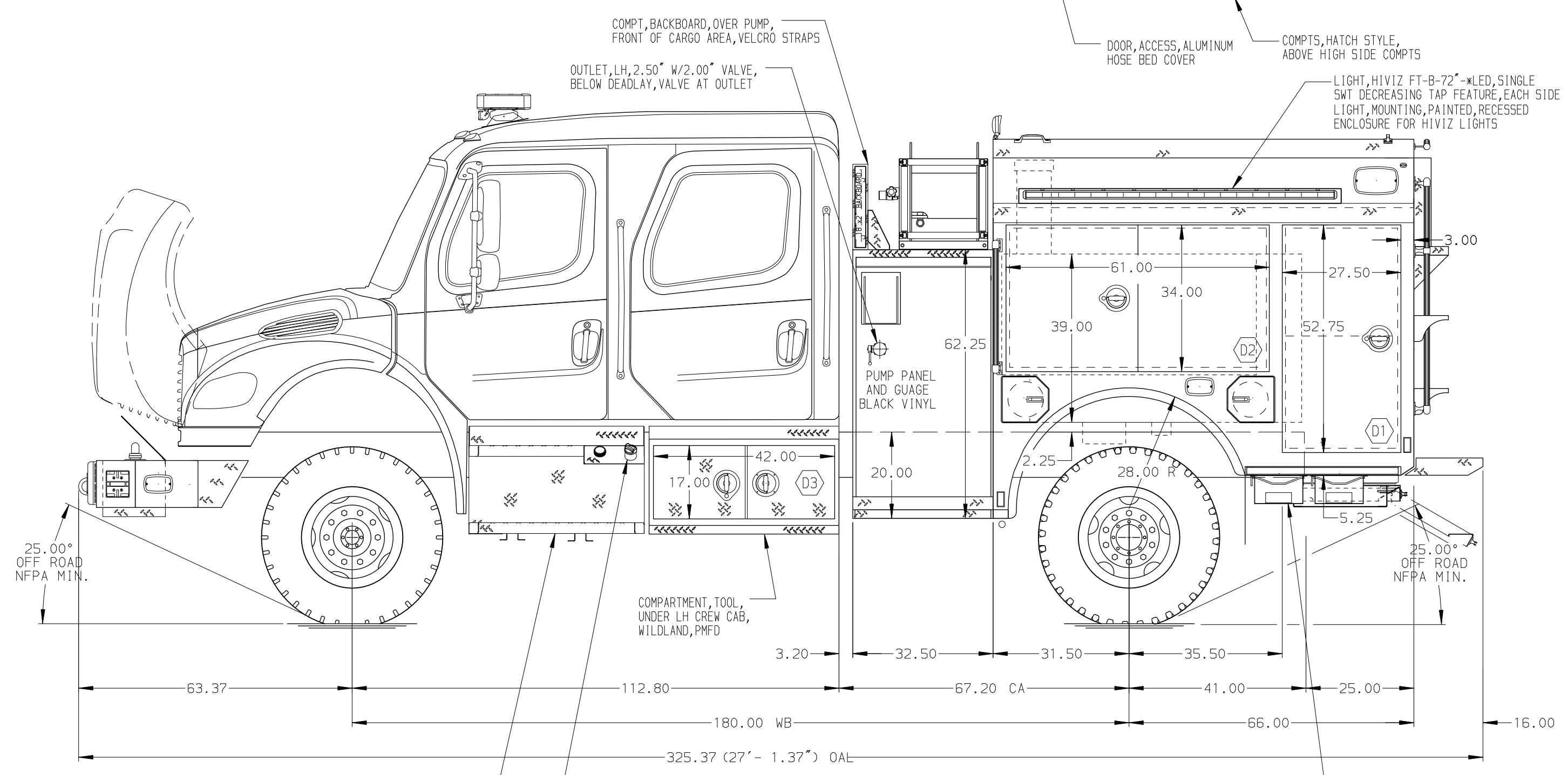


HOSEBED CAPACITIES
 (1) 500' OF 2.50" D.J. POLY HOSE



GALVANNEAL BODY

NOTE
 DIMENSIONS SHOWN ARE APPROXIMATE AND ARE SUBJECT TO MINOR DEVIATIONS AS MAY OCCUR OR BE NECESSARY IN CONSTRUCTION. MINOR DETAILS NOT SHOWN.

		JOB NO.	32468
		SCALE	DATE
CHASSIS DATA TITLE 1000-D-500 POLY, 30 FOAM, SHORT BODY, SIDE CONTROL (1) DEADLAY, (1) REEL, TYPE 3 MAKE FL FOR CANYON LAKE FIRE DEPARTMENT CANYON LAKE, TEXAS		DRAWN BY	JAF
MODEL M2-106 4 X 4		CHECKED BY	RWI
REV	DATE	BY	CH
23APR18		RWI	JAF
DWG NO.		32468AD	
SHEET SIZE		SHEET NO.	
D		1 OF 1	