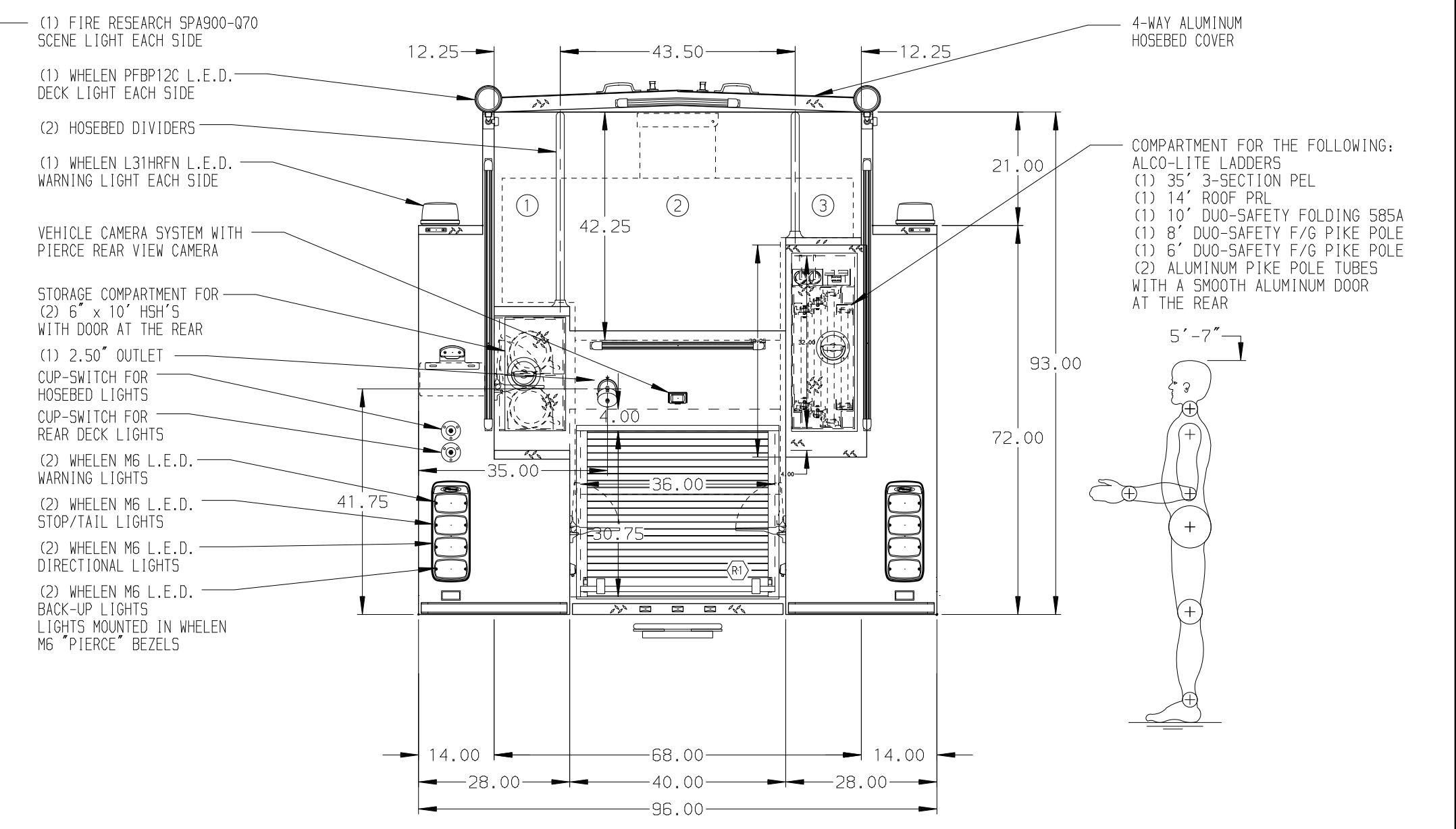
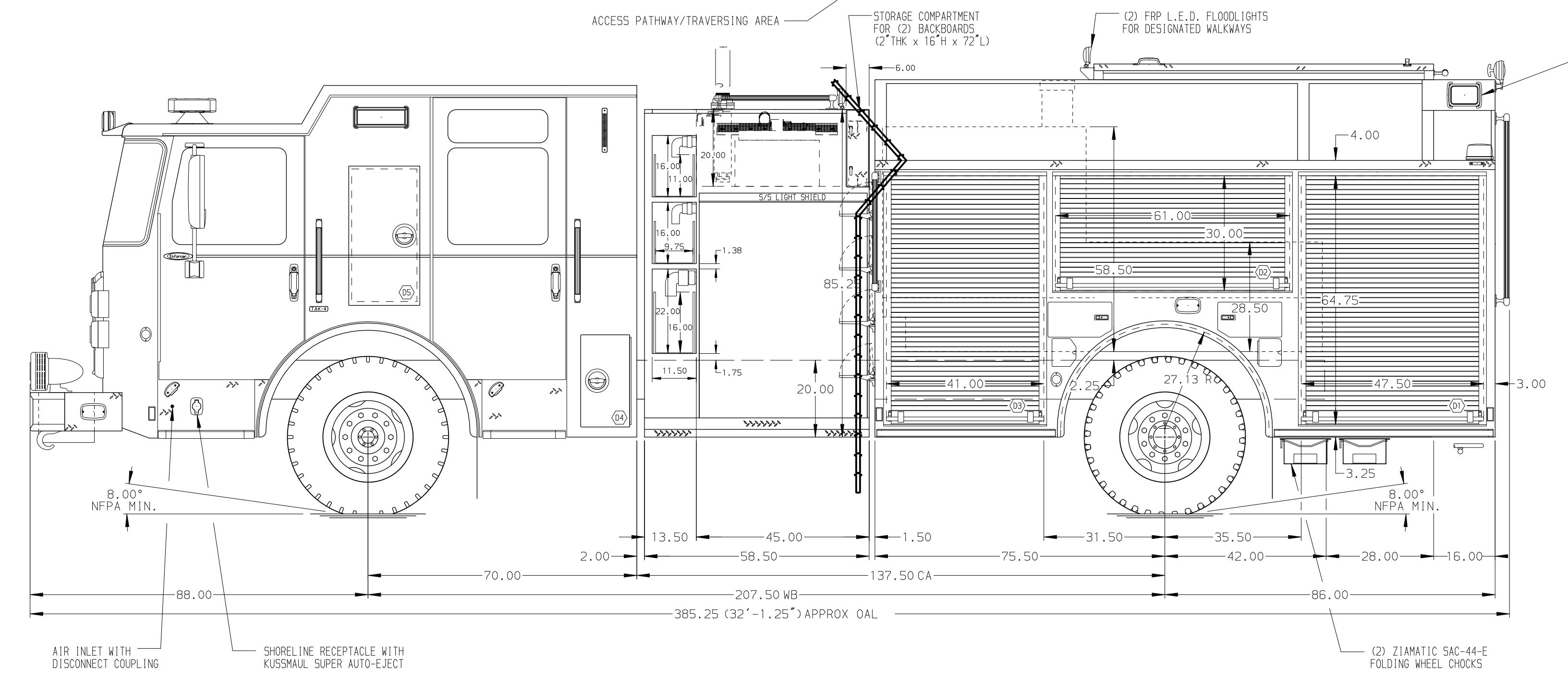
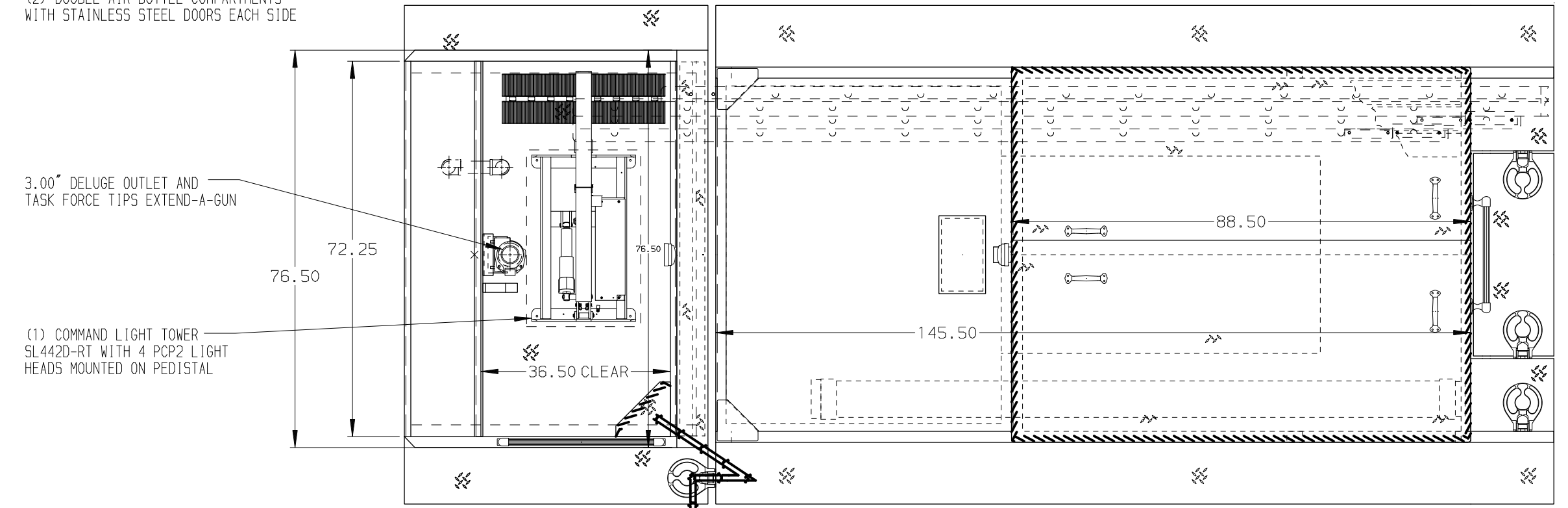


- HOSEBED CAPACITIES
- ① 600' OF 3.00" D.J. POLY HOSE
  - ② 1000' OF 5.00" D.J. POLY HOSE
  - ③ 400' OF 3.00" D.J. POLY HOSE



ALUMINUM BODY

SIDE ROLL & FRONTAL IMPACT PROTECTION

**NOTE**  
 DIMENSIONS SHOWN ARE APPROXIMATE AND ARE SUBJECT TO MINOR DEVIATIONS AS MAY OCCUR OR BE NECESSARY IN CONSTRUCTION. MINOR DETAILS NOT SHOWN.

1. BATTERY CHARGER LOCATED IN COMPARTMENT D3
2. BATTERY CHARGE INDICATOR LOCATED ON DRIVER'S SEAT RISER
3. DRIP PAN GUARD FOR ALL ROLL-UP DOORS
4. ONE ADJUSTABLE FULL WIDTH/DEPTH SHELF IN COMPARTMENT \*\*\*TBD\*\*\*
5. ONE FLOOR MOUNTED SLIDE-OUT TRAY IN COMPARTMENT D1, P1, P3 & R1
6. ALUMINUM SWING-OUT TOOLBOARD WITH PAC TRAC IN COMPARTMENT D2 & P2
7. ONE HANWAY HYDRAULIC REEL WITH 100' OF HOLMATRO CORE TECH HOSE LOCATED ON FLOOR IN COMPARTMENT P3 (MODEL: EF2220-17-18)

**CUSTOMER APPROVAL**

|              |         |
|--------------|---------|
| APPROVED BY: |         |
| DATE:        |         |
| CHASSIS DATA | TITLE   |
| MAKE         | FOR     |
| PIERCE       | DWG NO. |
| MODEL        | NO.     |
| ENFORCER     |         |



|  |            |        |
|--|------------|--------|
| 1500-D-750 GAL POLY, 161" FDLER BODY, (3) SPEEDLAYS LADDERS BESIDE TANK, LIGHT TOWER, DELUGE | JOB NO.    | 32473  |
| PECAN GROVE VOLUNTEER FIRE DEPARTMENT RICHMOND, TEXAS  | SCALE      | 1:24   |
|  | DATE       |        |
|  | DRAWN BY   | AMI    |
|  | CHECKED BY | CCA    |
|  | SHEET SIZE | D      |
|  | SHEET NO.  | 1 OF 1 |

32473AD