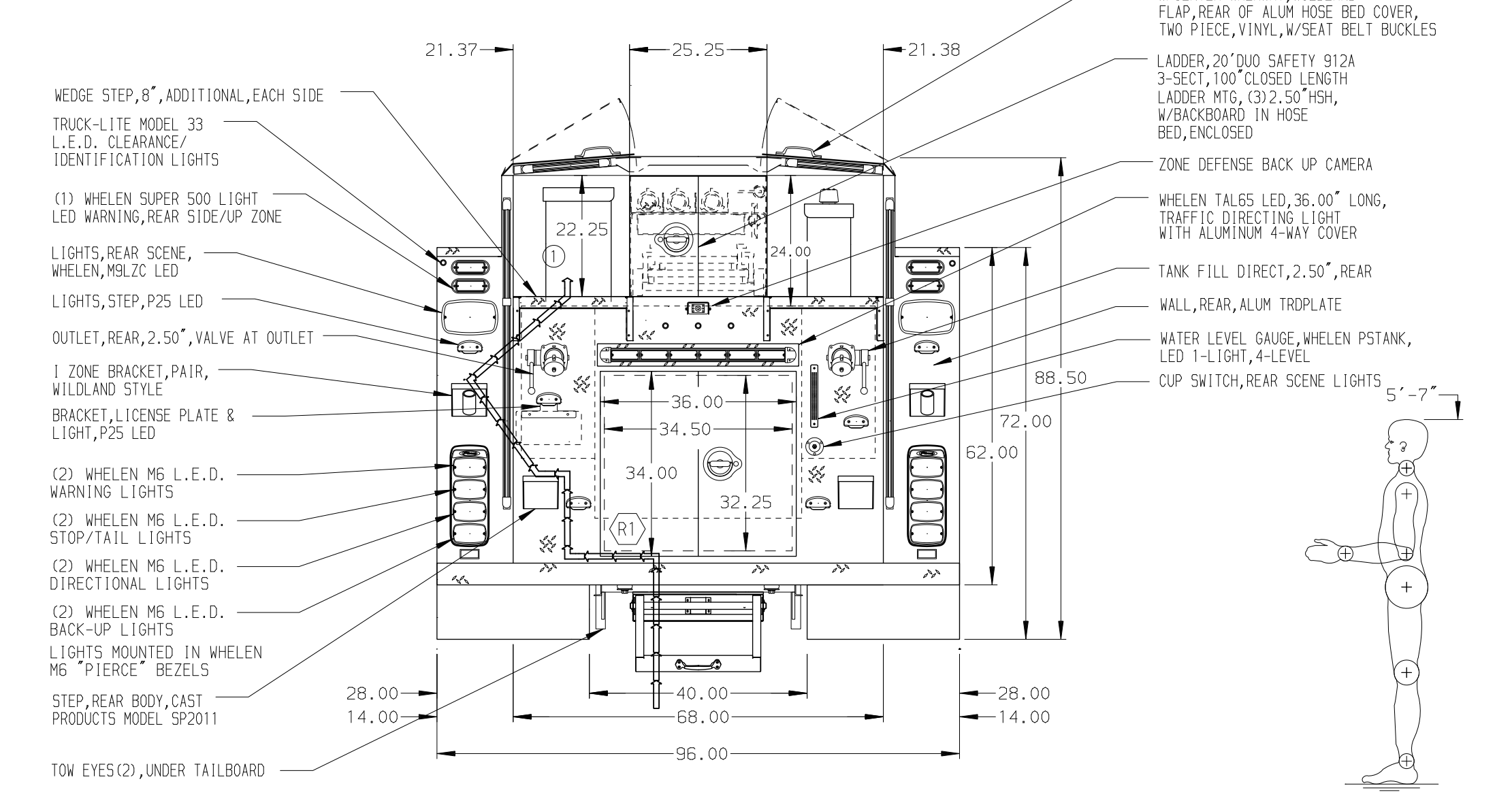
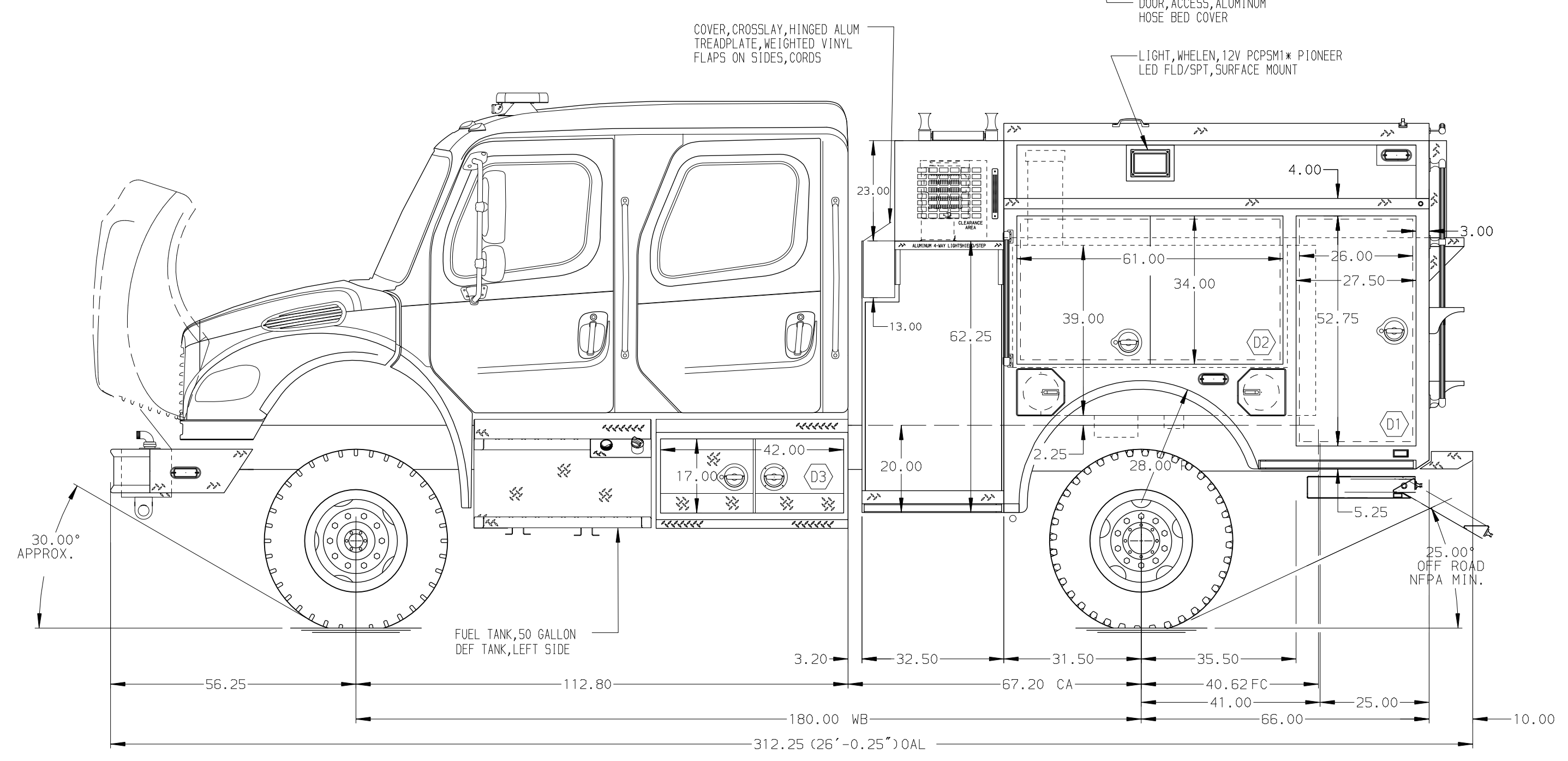


HOSEBED CAPACITIES
 (1) 500' OF 2.50" D.J. POLY HOSE



GALVANNEAL BODY

NOTE
 DIMENSIONS SHOWN ARE APPROXIMATE AND ARE SUBJECT TO MINOR DEVIATIONS AS MAY OCCUR OR BE NECESSARY IN CONSTRUCTION. MINOR DETAILS NOT SHOWN.

		JOB NO.	32538
		SCALE	1:24
TITLE 1000-D-480 POLY, 20 FOAM, SHORT BODY, 32.50" SIDE CNTRL (1) CROSSLAY, (1) REEL, TYPE 3		DATE	
		FOR	RIO VISTA FIRE DEPARTMENT RIO VISTA, CALIFORNIA
MAKE FL MODEL M2-106 4 X 4		DRAWN BY	RWI
		CHECKED BY	RWI
DWG NO.		SHEET SIZE	D
32538AD		SHEET NO.	1 OF 1

REV	DATE	BY	CH
07MAY18	RWI	JAF	