

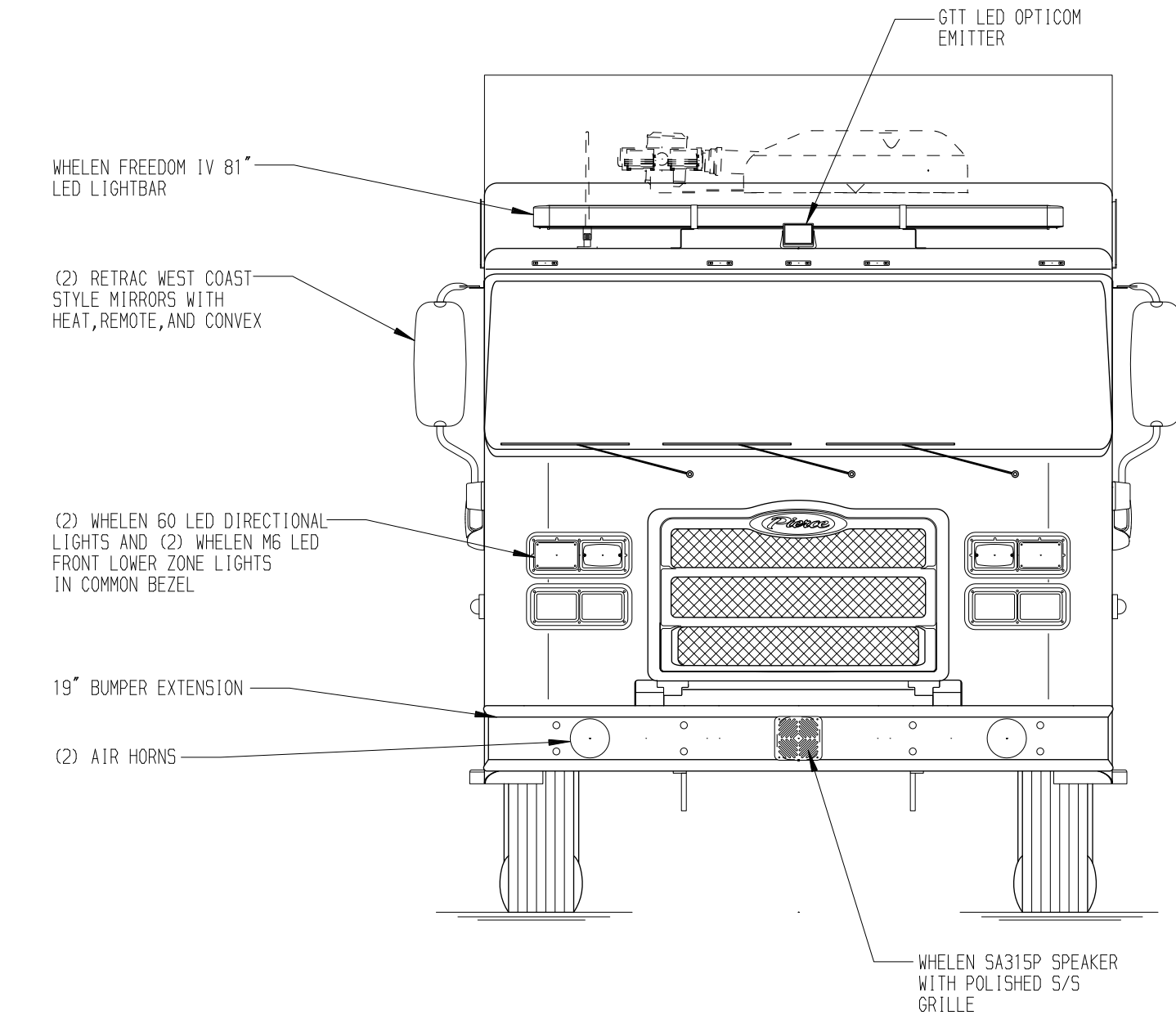
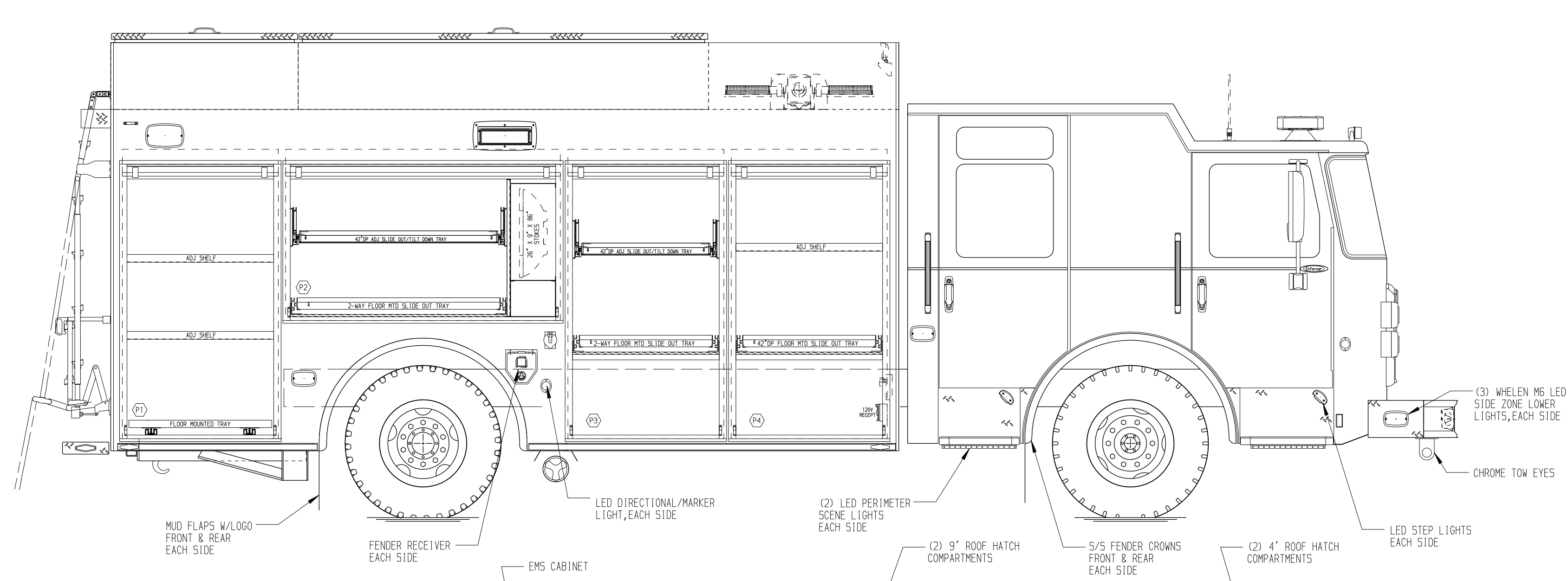
**PASSENGER'S SIDE COMPARTMENTS CONTAIN THE FOLLOWING:**

- COMPARTMENT P1 CONTAINS:  
 - (1) STD DEPTH FLOOR MOUNTED TRAY  
 - (2) STD DEPTH ADJ SHELVES

- COMPARTMENT P2 CONTAINS:  
 - (1) STOKES BASKET RACK  
 - (1) RACK FOR MISC.  
 - (1) VERTICAL COMPARTMENT DIVIDER  
 - (1) 2-WAY FLOOR MOUNTED TRAY  
 - (1) 42" DP ADJ SLIDE OUT/TILT TRAY

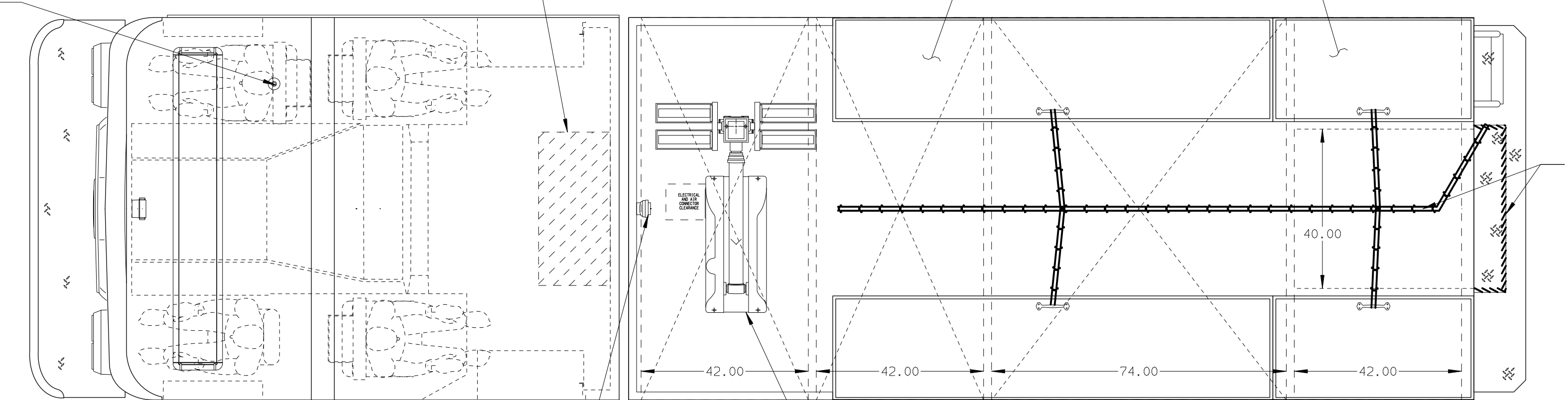
- COMPARTMENT P3 CONTAINS:  
 - (1) HORIZONTAL FLOOR EXTENSION  
 - (1) 2-WAY FLOOR MTD SLIDE OUT TRAY  
 - (1) 42" DP ADJ SLIDE OUT/TILT TRAY

- COMPARTMENT P4 CONTAINS:  
 - (1) CAB LIFT CONTROLLER  
 - (1) HORIZONTAL FLOOR EXTENSION  
 - (1) 42" DP FLOOR MTD SLIDE OUT TRAY  
 - (1) 1/2 DEPTH ADJ SHELF  
 - (1) 20A, 120V DUPLEX RECEPTACLE



**REAR COMPARTMENT CONTAINS THE FOLLOWING:**

COMPARTMENT R1 CONTAINS:  
 - (1) 38" DP FLOOR MOUNTED TRAY  
 - (1) 38" DP ADJ SLIDE OUT TRAY  
 - (1) 38" DP ADJ SLIDE OUT/TILT TRAY  
 - (1) ELECTRIC CORD REEL WITH 150' OF 10/3 YELLOW CORD



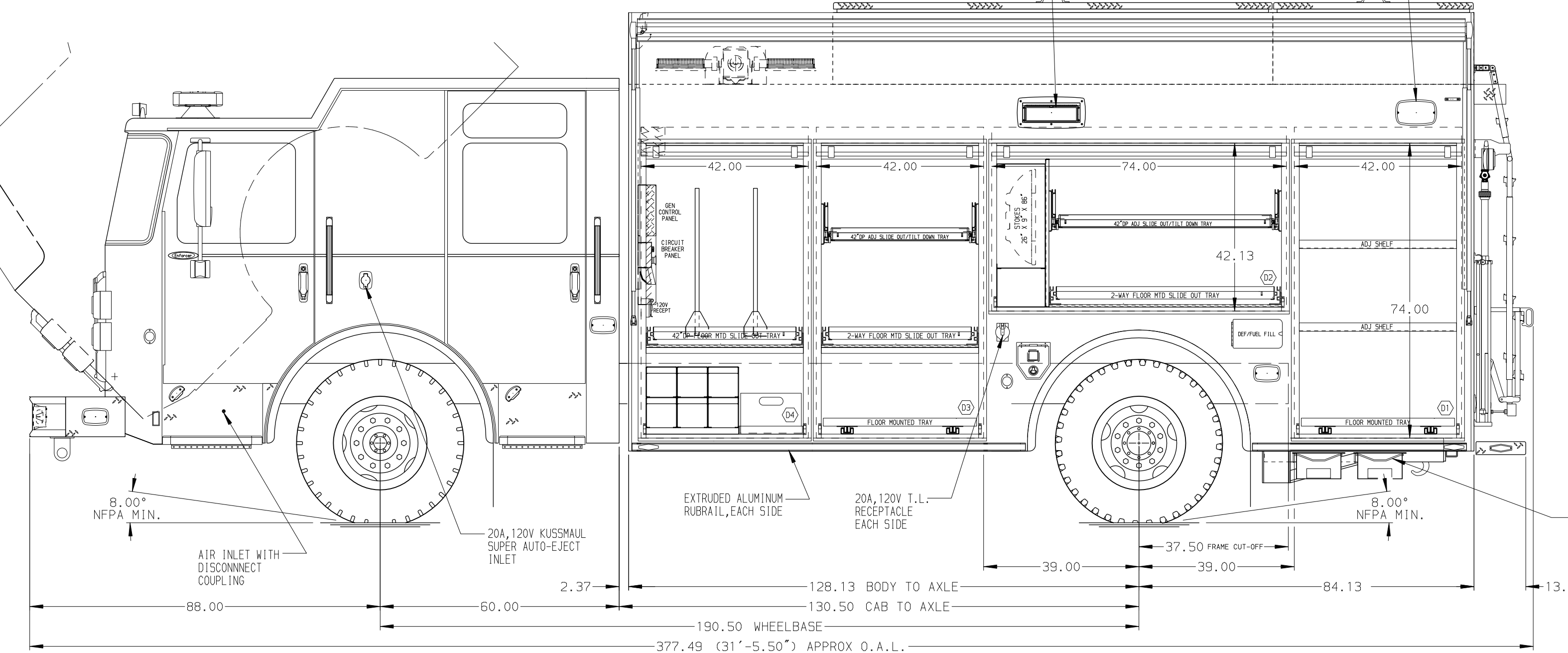
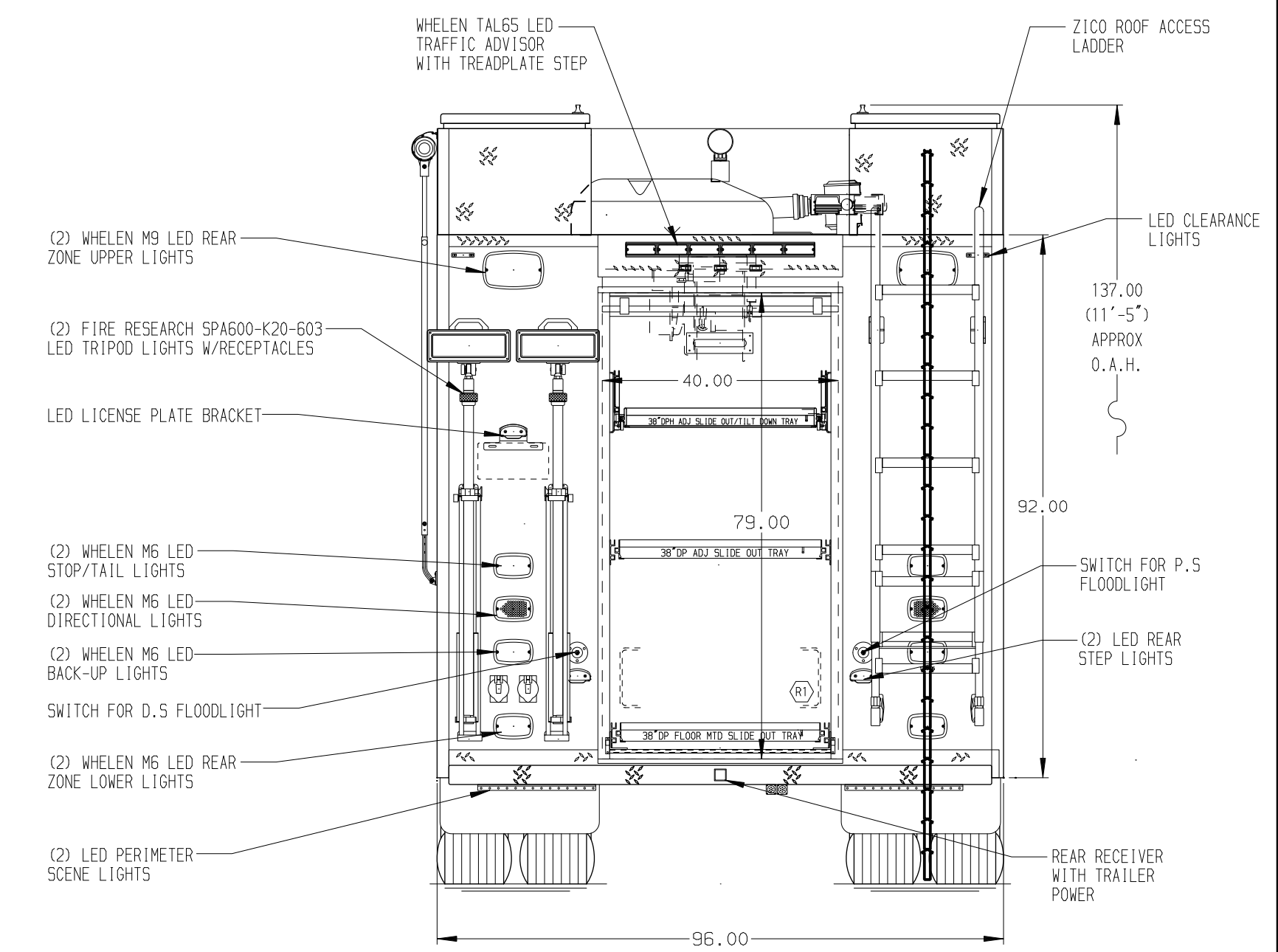
**DRIVER'S SIDE COMPARTMENTS CONTAIN THE FOLLOWING:**

COMPARTMENT D1 CONTAINS:  
 - (1) STD DEPTH FLOOR MOUNTED TRAY  
 - (2) STD DEPTH ADJ SHELVES

COMPARTMENT D2 CONTAINS:  
 - (1) STOKES BASKET RACK  
 - (1) RACK FOR MISC.  
 - (1) VERTICAL COMPARTMENT DIVIDER  
 - (1) 2-WAY FLOOR MOUNTED TRAY  
 - (1) 42" DP ADJ SLIDE OUT/TILT TRAY

COMPARTMENT D3 CONTAINS:  
 - (1) STD DEPTH FLOOR MOUNTED TRAY  
 - (1) HORIZONTAL FLOOR EXTENSION  
 - (1) 2-WAY FLOOR MTD SLIDE OUT TRAY  
 - (1) 42" DP ADJ SLIDE OUT/TILT TRAY

COMPARTMENT D4 CONTAINS:  
 - (1) NEWMAR 35A BATTERY CHARGER  
 - (1) CIRCUIT BREAKER PANEL  
 - (1) GENERATOR METER PANEL  
 - (1) NIGHT SCAN CONTROLLER  
 - (1) 42" DP FLOOR MTD SLIDE OUT TRAY WITH 2 42" DP ADJ TOOLBOARDS  
 - (1) RACK FOR 6 SCBA BOTTLES  
 - (1) POLY TOOL BOX  
 - (1) 20A, 120V DUPLEX RECEPTACLE



**CUSTOMER APPROVAL**

APPROVED BY: \_\_\_\_\_  
 DATE: \_\_\_\_\_



JOB NO.	32540
SCALE	1:24
DATE	
DRAWN BY	DHE
01MAY18	
CHECKED BY	CDK
04MAY18	
SHEET SIZE	SHEET NO.
D	1 OF 1

CHASSIS DATA	TITLE	ENCORE RESCUE VEHICLE
MAKE	FOR	PINELLAS COUNTY
PIERCE	FOR	PINELLAS CO. FL
MODEL	DWG NO.	32540AD
EN6010		

**NOTE**  
 DIMENSIONS SHOWN ARE APPROXIMATE AND ARE SUBJECT TO MINOR DEVIATIONS AS MAY OCCUR OR BE NECESSARY IN CONSTRUCTION. MINOR DETAILS NOT SHOWN.

- NOTES:**
- ONAN 15kW SINGLE PHASE PTO DRIVEN GENERATOR WITH SPLASH GUARD LOCATED BETWEEN THE FRAME RAILS
  - FLOOR IN CAB AND CREW CAB TO BE PADDED RUBBER
  - BATTERY CHARGE INDICATOR LOCATED ON THE DRIVER'S SEAT RISER
  - PULL STRAPS ON ALL BODY ROLL-UP DOORS
  - PIERCE DUAL LED LIGHT STRIPS IN EACH BODY COMPARTMENT