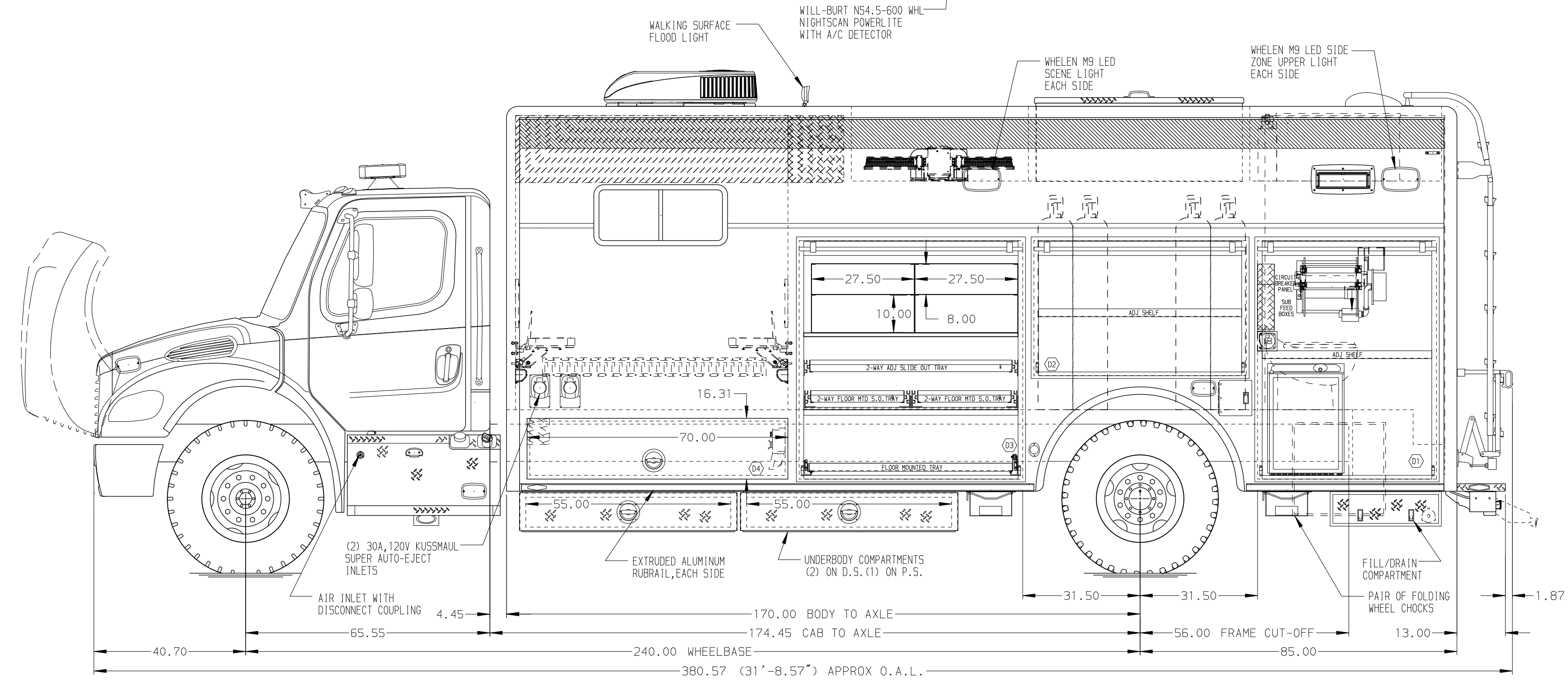
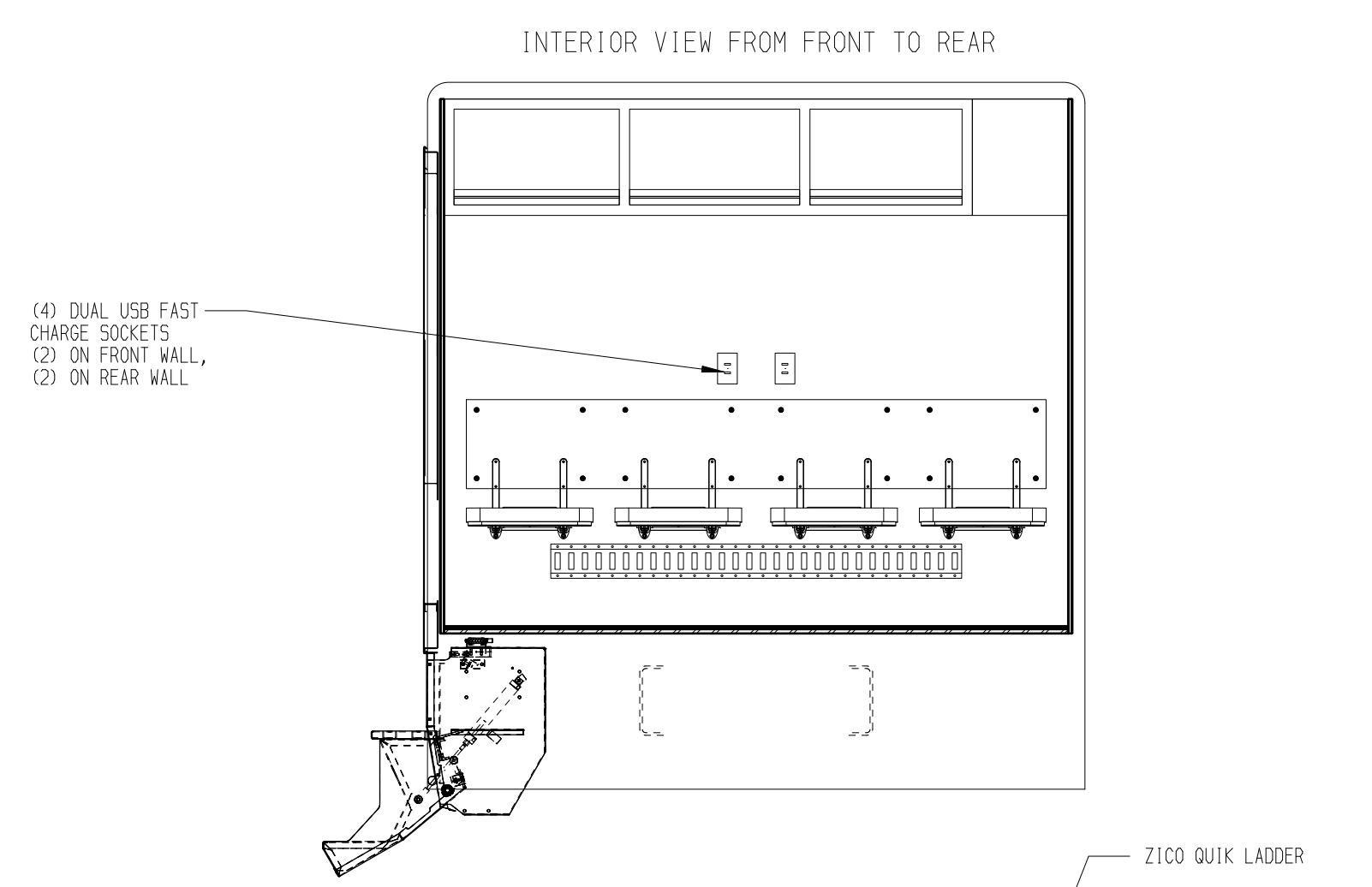
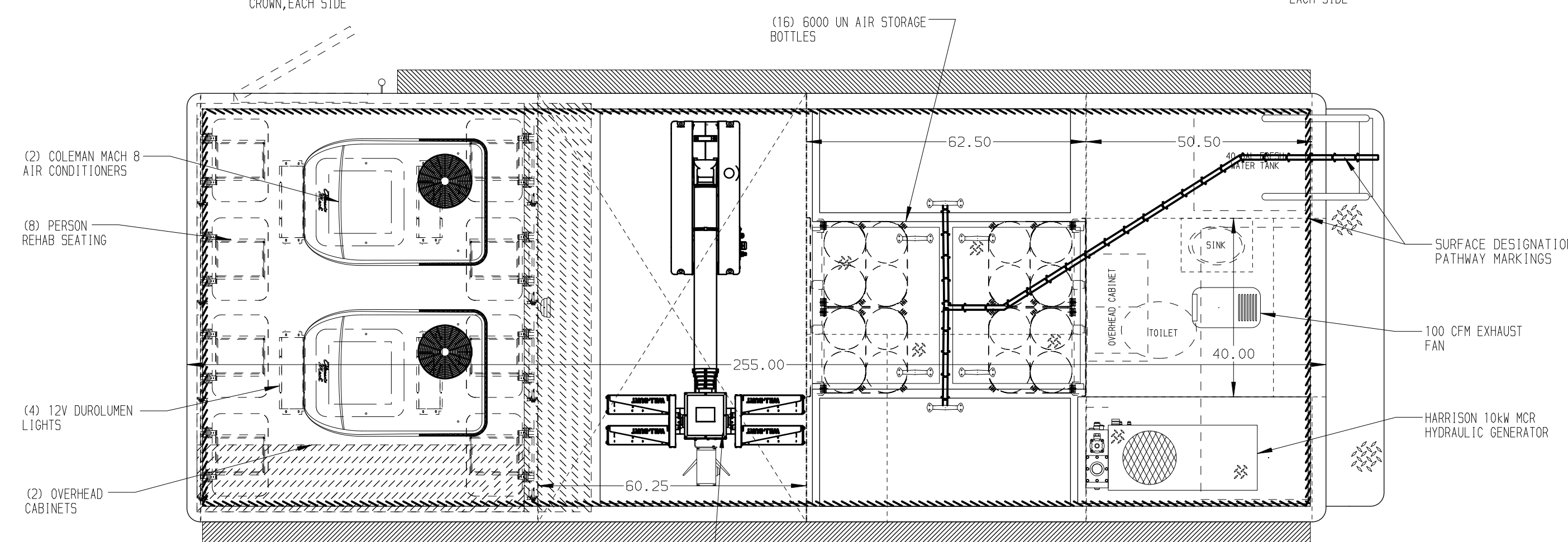
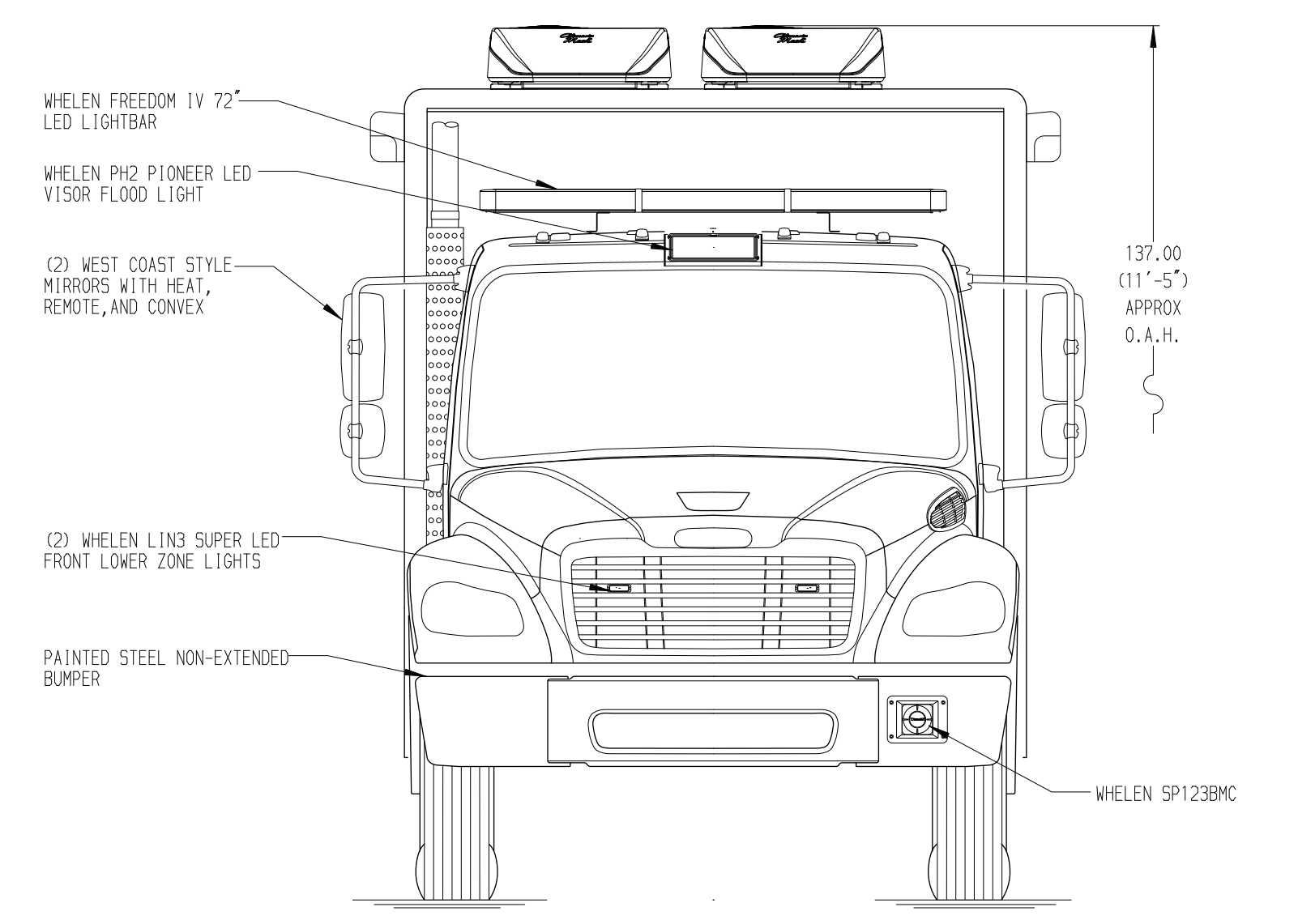
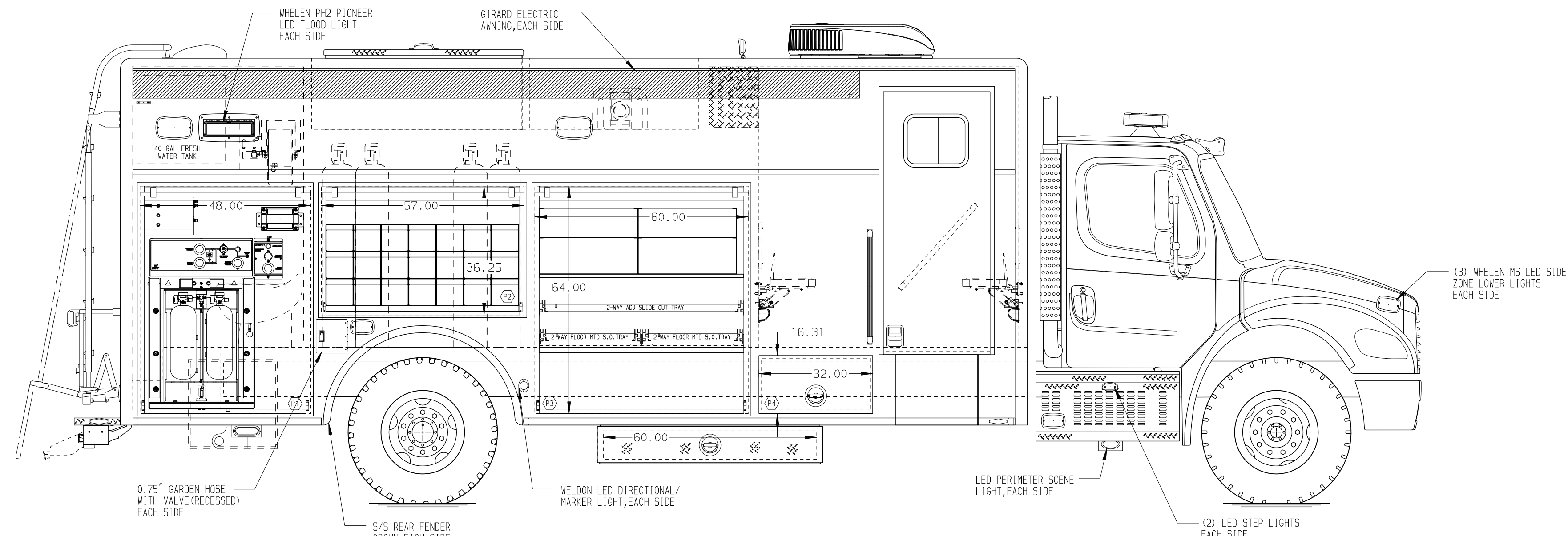
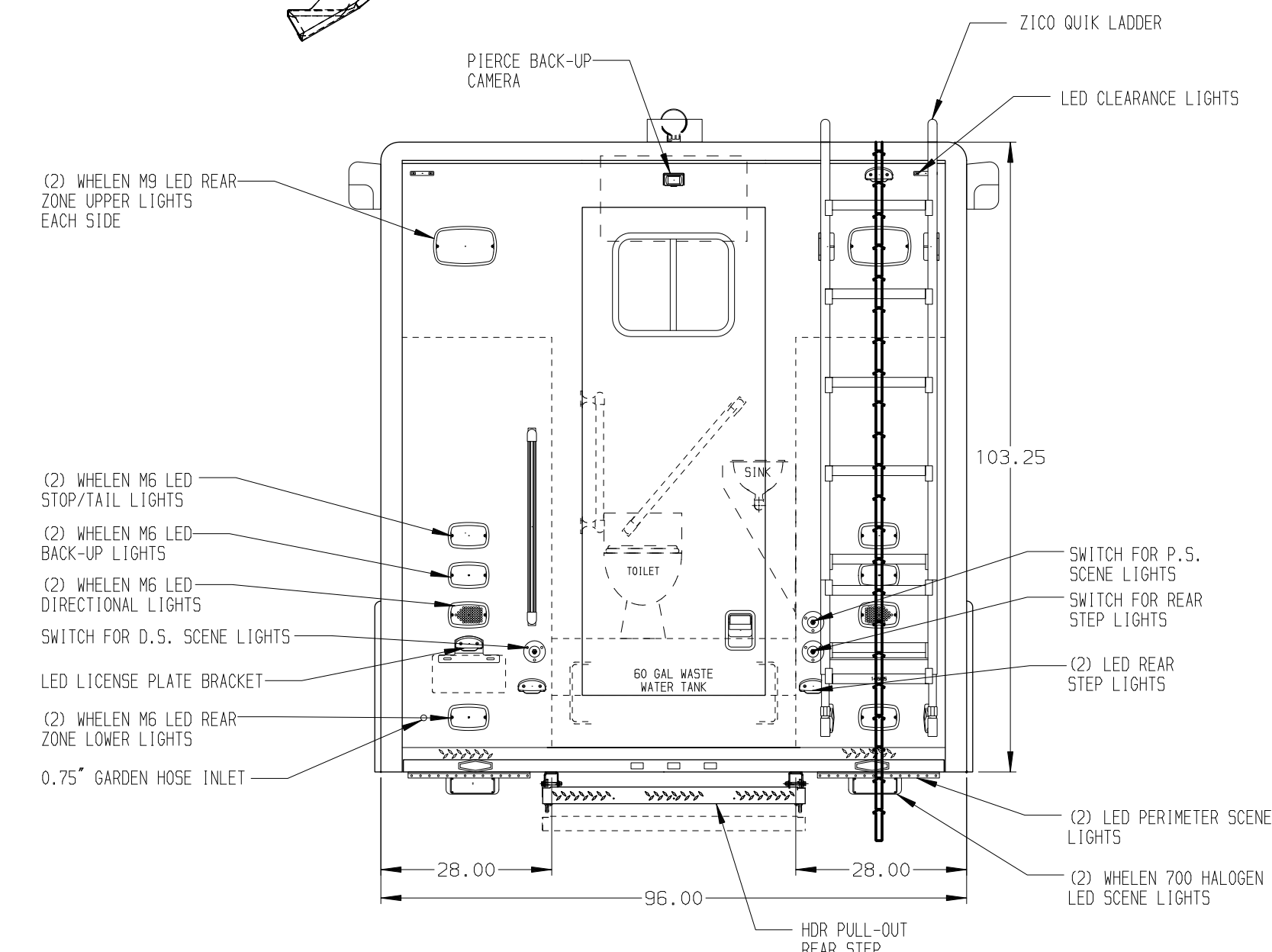


- PASSENGER'S SIDE COMPARTMENTS CONTAIN THE FOLLOWING:**
- COMPARTMENT P1 CONTAINS:
 - (1) CASCADE SYSTEM CONTROL PANEL
 - (1) REVOLVE AIR 2-BOTTLE FILL ENCLOSURE
 - (1) HIGH PRESSURE BREATHING AIR REEL WITH 200' OF HOSE
 - COMPARTMENT P2 CONTAINS:
 - (1) RACK FOR 21 SCBA BOTTLES
 - COMPARTMENT P3 CONTAINS:
 - (4) STORAGE TROUGHS
 - (1) 2-WAY ADJ SLIDE OUT TRAY
 - (1) HORIZONTAL FLOOR EXTENSION
 - (2) 2-WAY FLOOR MOUNTED SLIDE OUT TRAYS
 - COMPARTMENT P4 CONTAINS:



- DRIVER'S SIDE COMPARTMENTS CONTAIN THE FOLLOWING:**
- COMPARTMENT D1 CONTAINS:
 - (1) STD DEPTH ADJ SHELF
 - (1) NORCOLD DE-07888 REFRIGERATOR
 - (1) CIRCUIT BREAKER PANEL
 - (1) GENERATOR METER PANEL
 - (2) SUB FEED BOXES
 - (1) ELECTRIC CORD REEL WITH 300' OF 10/3 YELLOW CORD
 - COMPARTMENT D2 CONTAINS:
 - (1) STD DEPTH ADJ SHELF
 - COMPARTMENT D3 CONTAINS:
 - (4) STORAGE TROUGHS
 - (1) 2-WAY ADJ SLIDE OUT TRAY
 - (1) FLOOR MOUNTED TRAY W/SIDE SLIDES
 - (1) HORIZONTAL FLOOR EXTENSION
 - (2) 2-WAY FLOOR MOUNTED SLIDE OUT TRAYS
 - COMPARTMENT D4 CONTAINS:
 - (1) KUSSMAUL 1200 BATTERY CHARGER
 - (1) NIGHTSCAN CONTROLLER



NOTE
DIMENSIONS SHOWN ARE APPROXIMATE AND ARE SUBJECT TO MINOR DEVIATIONS AS MAY OCCUR OR BE NECESSARY IN CONSTRUCTION. MINOR DETAILS NOT SHOWN.

- NOTES:**
- BATTERY CHARGE INDICATOR LOCATED ON DRIVER'S SEAT WITH BRACKET
 - KINEWAVE SERIES E TIE DOWN TRACKS ON FRONT, REAR, AND DRIVER SIDE WALL IN REHAB AREA
 - PIERCE DUAL LED LIGHTS IN ALL BODY AND HATCH COMPARTMENTS
 - (3) 20A, 120V 6-PLACE RECEPTACLE STRIPS (1) IN EACH UPPER CABINET IN REHAB AREA AND (1) ON REAR CAB WALL PASSENGER'S SIDE

CLEAR DOOR WIDTH KEY				CHASSIS DATA	TITLE	HEAVY DUTY RESCUE COMBINATION WALKIN/NON-WALKIN
AMORR ROLL UP DOORS:	GORLITE ROLL UP DOORS:	PIERCE DOUBLE LIP DOORS:	PIERCE LIFT-UP LAP DOORS:			
-2 1/4"	-2 1/2"	-4 1/4"	-1 1/2"	26NOV18	ALZ	AZU
				20SEP18	DHE	AZU
				29JUN18	DHE	AZU
(EX: 60" F-F - 2 1/4" = 57 3/4" CLEAR) (F-F) = FRAME TO FRAME				REV	DATE	BY

Pierce MANUFACTURING INC.

JOB NO. 32561

SCALE 1:24 DATE

DRAWN BY DHE 12JUN18

CHECKED BY AZU 19JUN18

SHEET SIZE D SHEET NO. 1 OF 1

RONALD GILBERT

DWG NO. 32561AD