

RIGHT SIDE COMPARTMENTS CONTAIN THE FOLLOWING:

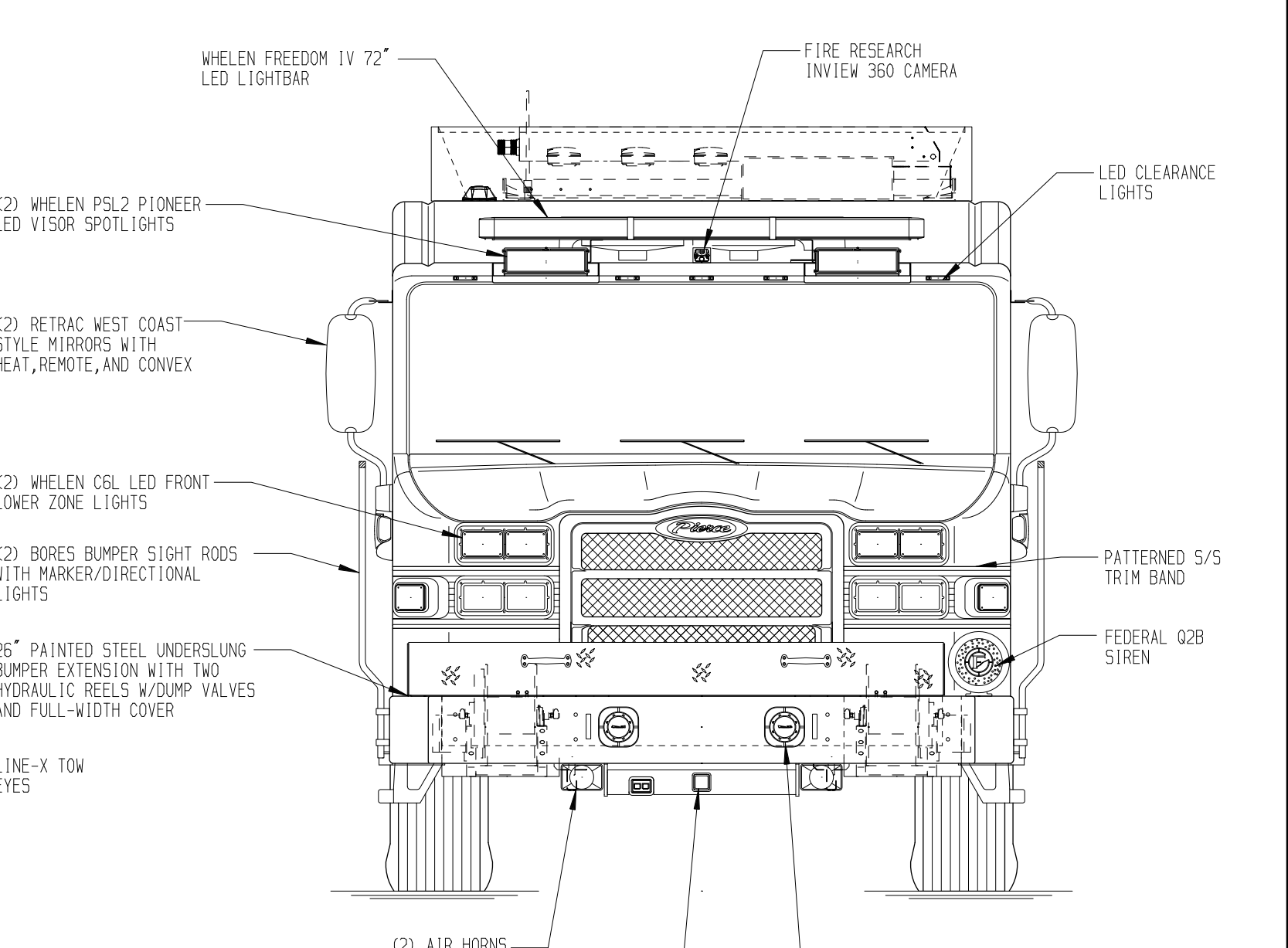
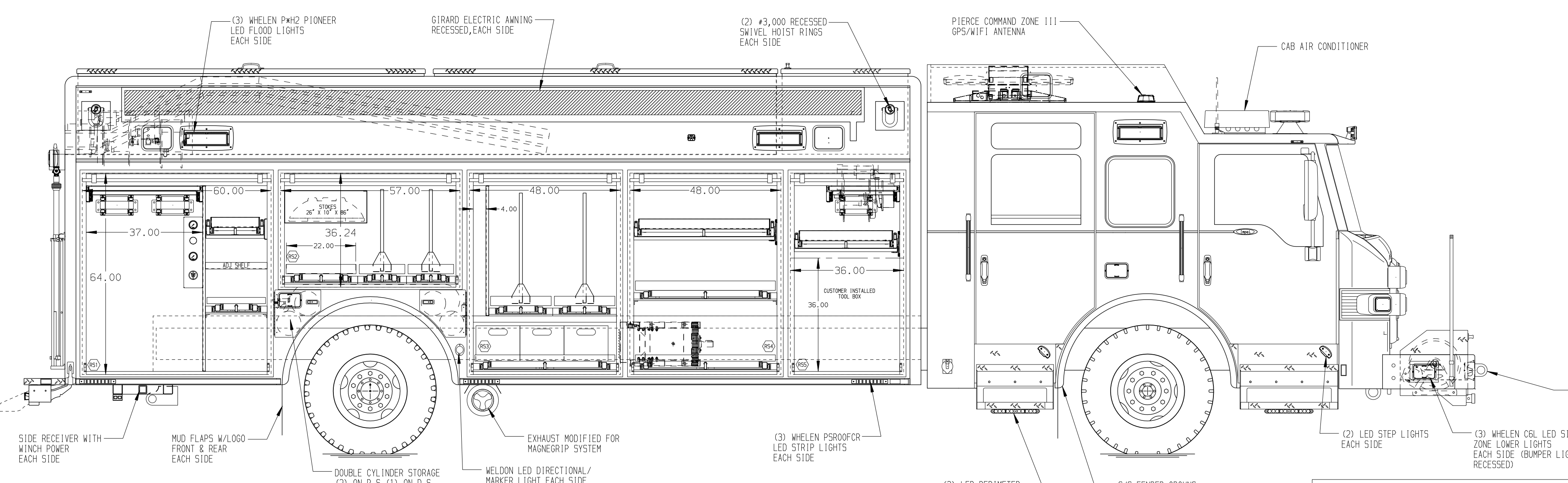
COMPARTMENT R51 CONTAINS:
 - (1) VERTICAL COMPARTMENT DIVIDER
 - (1) STD DEPTH ADJ SHELF
 - (1) STD DEPTH #1,000 ADJ SLIDE OUT TRAY
 - (1) STD DEPTH ADJ SLIDE OUT/TILT TRAY
 - (1) ELECTRIC CORD REEL WITH 150' OF 10/3 YELLOW CORD
 - (1) TOOL AIR REEL WITH 150' OF HOSE
 - (1) SLIDE OUT ROLLER GUIDE BRACKET

COMPARTMENT R52 CONTAINS:
 - (1) STOKES BASKET RACK
 - (2) 2-WAY #1,000 FLOOR MOUNTED SLIDE OUT TRAYS WITH TOOLBOARDS
 - (1) 2-WAY #1,000 FLOOR MTD SLIDE OUT TRAY

COMPARTMENT R53 CONTAINS:
 - (1) STD DEPTH #1,000 FLOOR MOUNTED TRAY
 - (2) 2-WAY #1,000 FLOOR MOUNTED SLIDE OUT TRAYS WITH TOOLBOARDS
 - (3) POLY TOOL BOXES
 - (1) HORIZONTAL FLOOR EXTENSION
 - (1) TRANSVERSE VERTICAL DIVIDER

COMPARTMENT R54 CONTAINS:
 - (1) 1/2 DEPTH #1,000 ADJ SLIDE OUT TRAY
 - (1) 1/2 DEPTH ADJ SLIDE OUT/TILT TRAY
 - (1) STD DEPTH #1,000 FLOOR MOUNTED TRAY

COMPARTMENT R55 CONTAINS:
 - (1) 1/2 DEPTH ADJ SLIDE OUT/TILT TRAY
 - (1) ELECTRIC CORD REEL WITH 150' OF 10/3 YELLOW CORD
 - (1) SLIDE OUT ROLLER GUIDE BRACKET



LEFT SIDE COMPARTMENTS CONTAIN THE FOLLOWING:

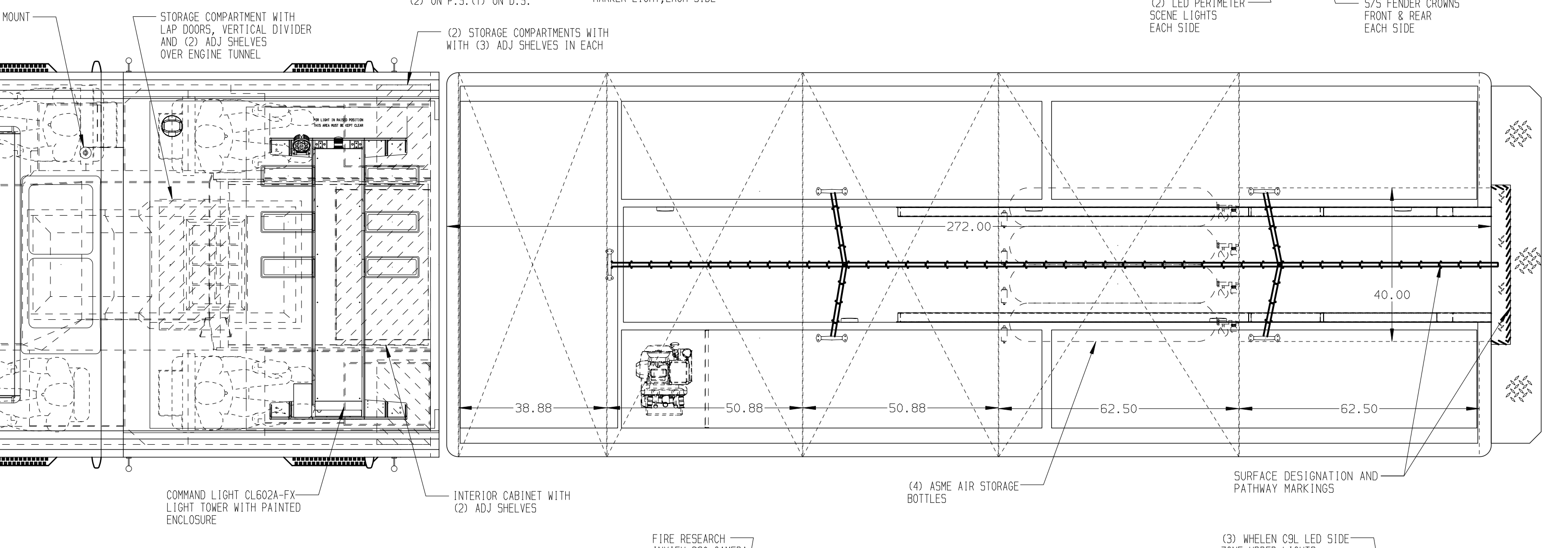
COMPARTMENT L51 CONTAINS:
 - (1) RACK FOR 21 SCBA BOTTLES
 - (1) BAUER CF55, 5-2M FILL ENCLOSURE WITH AIR CONTROL PANEL
 - (1) AUXILIARY PANEL FOR TOOL AIR REEL
 - (1) ELECTRIC CORD REEL WITH 150' OF 10/3 YELLOW CORD
 - CARGO RETENTION NETTING FOR SCBA RACK
 - (1) SLIDE OUT ROLLER GUIDE BRACKET

COMPARTMENT L52 CONTAINS:
 - (1) STOKES BASKET RACK
 - (2) 2-WAY #1,000 FLOOR MOUNTED SLIDE OUT TRAYS WITH TOOLBOARDS
 - (1) 2-WAY #1,000 FLOOR MOUNTED SLIDE OUT TRAY

COMPARTMENT L53 CONTAINS:
 - (1) STD DEPTH #1,000 FLOOR MOUNTED TRAY
 - (2) 2-WAY #1,000 FLOOR MOUNTED SLIDE OUT TRAYS WITH TOOLBOARDS
 - (1) HORIZONTAL FLOOR EXTENSION
 - (3) POLY TOOL BOXES
 - (1) TRANSVERSE VERTICAL DIVIDER

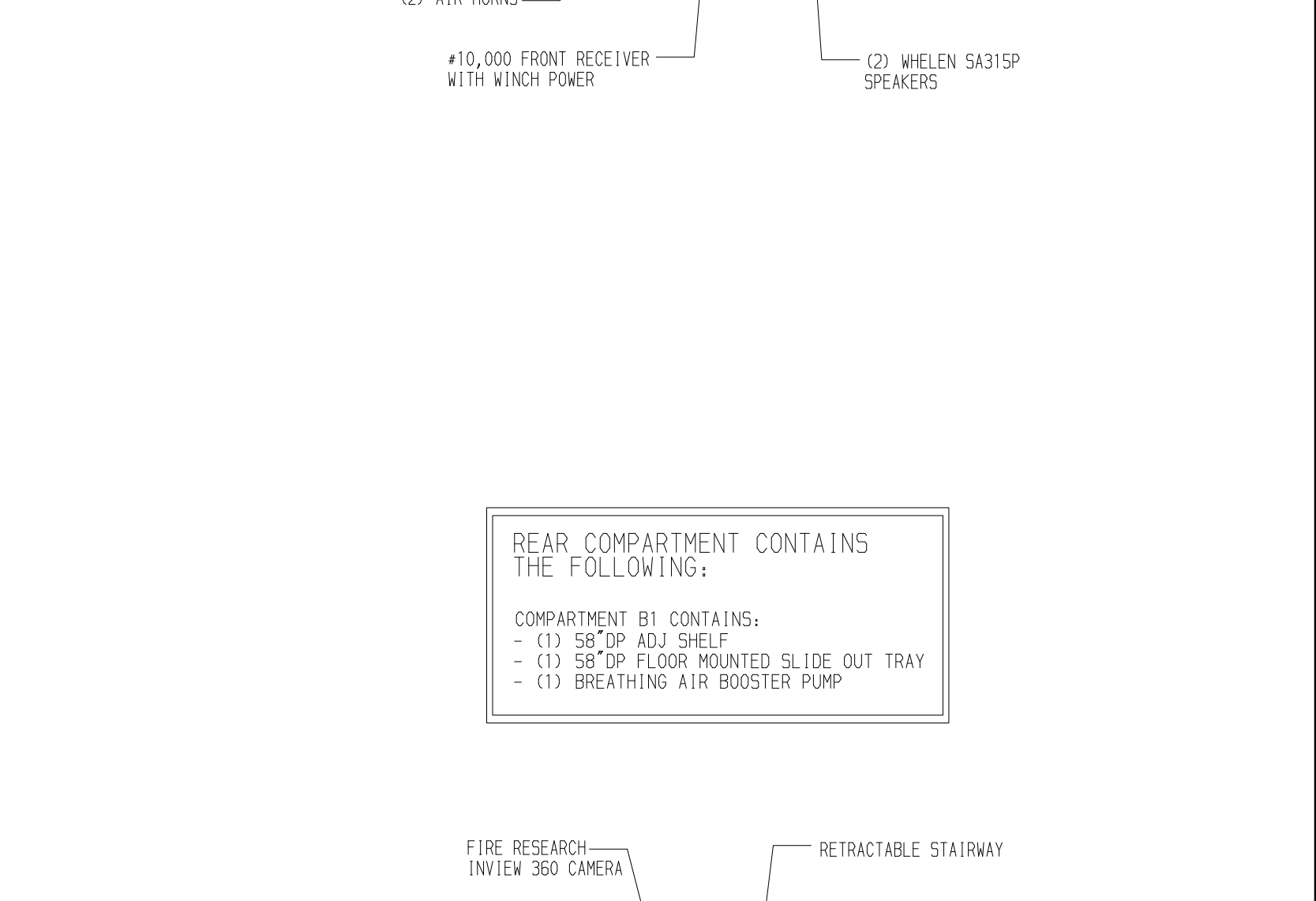
COMPARTMENT L54 CONTAINS:
 - (1) VERTICAL COMPARTMENT DIVIDER
 - (1) 1/2 DEPTH #1,000 ADJ SLIDE OUT TRAY
 - (1) 1/2 DEPTH ADJ SLIDE OUT/TILT TRAY
 - (1) STD DEPTH #1,000 FLOOR MOUNTED TRAY
 - (1) MOUNTING BRACKET FOR HYD POWER UNITS
 - (2) POLY TOOL BOXES

COMPARTMENT L55 CONTAINS:
 - (1) KUSSMAUL 12 HO CHARGER
 - (1) HORIZONTAL FLOOR EXTENSION
 - (1) 3/4 DEPTH #1,000 FLOOR MOUNTED TRAY WITH NOTCHED TOOLBOARD
 - (1) STD DEPTH #1,000 FLOOR MOUNTED TRAY
 - (3) POLY TOOL BOXES
 - (1) CIRCUIT BREAKER PANEL
 - (1) GENERATOR METER PANEL
 - (1) SUB FEED BOX
 - (1) COMMAND LIGHT CONTROLLER
 - (1) ELECTRIC CORD REEL WITH 150' OF 10/3 YELLOW CORD
 - (1) RACK FOR 7 AIR BAGS W/NETTING
 - (1) SLIDE OUT ROLLER GUIDE BRACKET
 - (1) AIR OUTLET WITH SHUT OFF VALVE



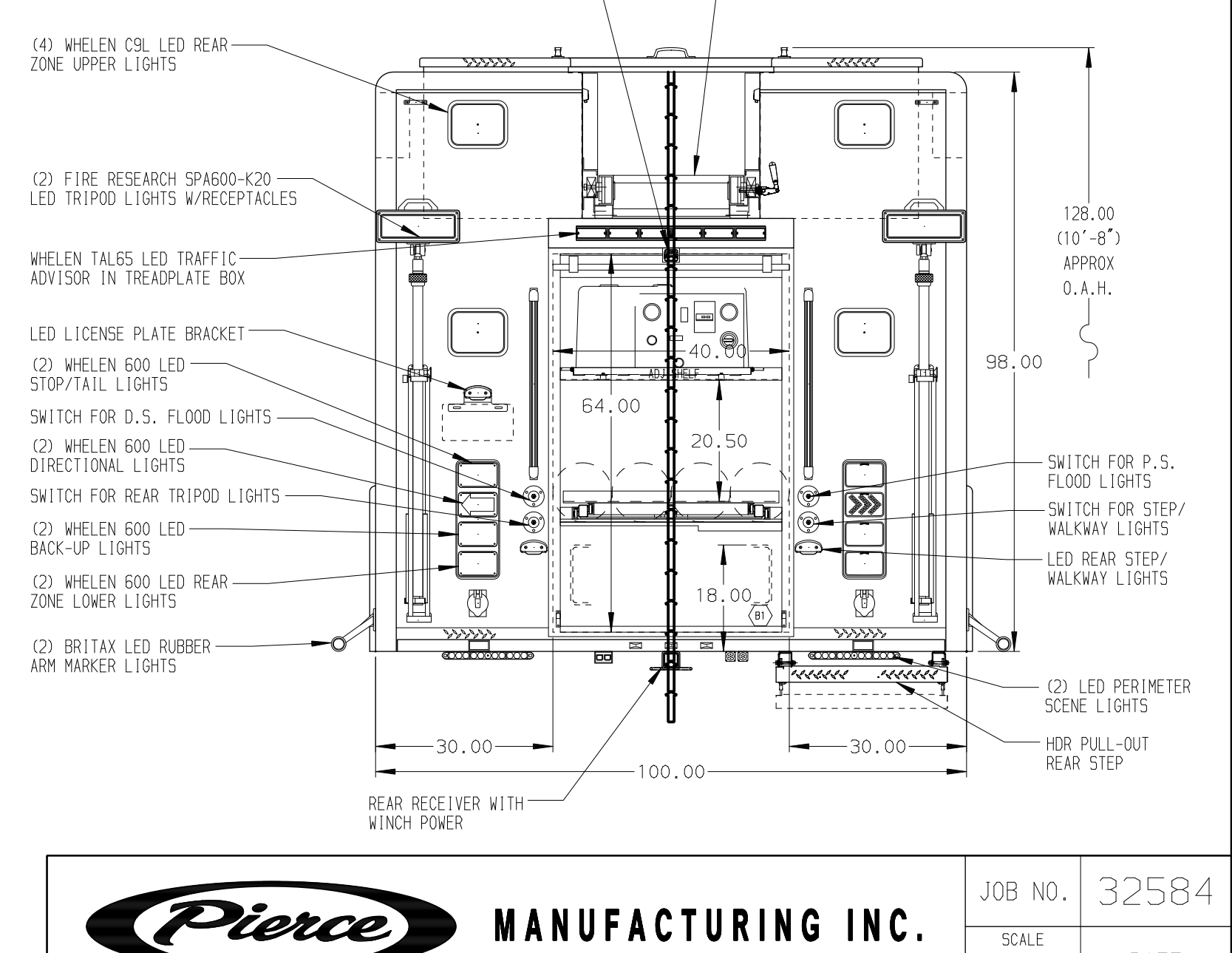
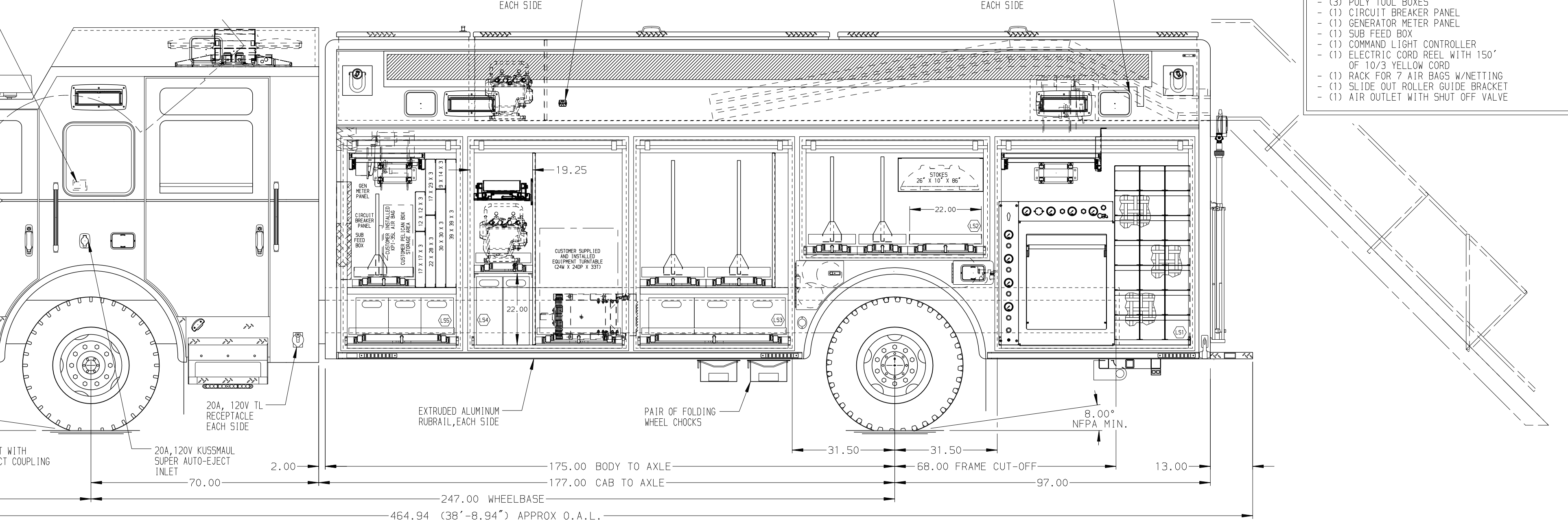
REAR COMPARTMENT CONTAINS THE FOLLOWING:

COMPARTMENT B1 CONTAINS:
 - (1) 58\"/>



NOTE
 DIMENSIONS SHOWN ARE APPROXIMATE AND ARE SUBJECT TO MINOR DEVIATIONS AS MAY OCCUR OR BE NECESSARY IN CONSTRUCTION. MINOR DETAILS NOT SHOWN.

NOTES:
 1. WARN ZEON #10,000 PORTABLE WINCH
 2. FLOOR IN CAB AND CREW CAB TO BE PADDED RUBBER
 3. LED LIGHTS IN ALL BODY AND HATCH COMPARTMENTS
 4. ONAN 25kW SINGLE PHASE PTO DRIVEN GENERATOR LOCATED BETWEEN THE FRAME RAILS
 5. (2) 15/20A, 120V 4-PLACE RECEPTACLES LOCATED IN THE INTERIOR EMS CABINET
 6. (2) 15/20A, 120V 6-PLACE RECEPTACLES LOCATED IN THE INTERIOR EMS CABINET
 7. MOUNTING BRACKET FOR HYDRAULIC POWER UNIT IN FORWARD HATCH COMPARTMENT
 8. VENT PROVIDED IN DRIVER'S SIDE FORWARD HATCH COMPARTMENTS FOR HYDRAULIC POWER UNIT COOLING



MAXIMUM O.A.W. 130.00"
 MAXIMUM O.A.H. 11'-0"
 MAXIMUM O.A.L. 40'-0"

CLEAR DOOR WIDTH KEY		CHASSIS DATA	
AMDR ROLL UP DOORS:	-2 1/4"	17DEC18	DHE AZU
CORTITE ROLL UP DOORS:	-2 1/2"	19OCT18	ALZ AZU
PIERCE DOUBLE LAP DOORS:	-4 1/4"	31JUL18	DHE AZU
PIERCE LIFT-UP LAP DOORS:	-1 1/2"	REV	DATE BY CH
(EX: 60\"/>		IMFR7010	

		JOB NO.	32584
		SCALE	DATE
TITLE	HEAVY DUTY RESCUE NON-WALKIN	DRAWN BY	DHE 03JUL18
FOR	CITY OF ST. PETERSBURG ST. PETERSBURG, FL	CHECKED BY	CDK 13JUL18
DWG NO.	32584AD	SHEET SIZE	SHEET NO.
		D	1 OF 1