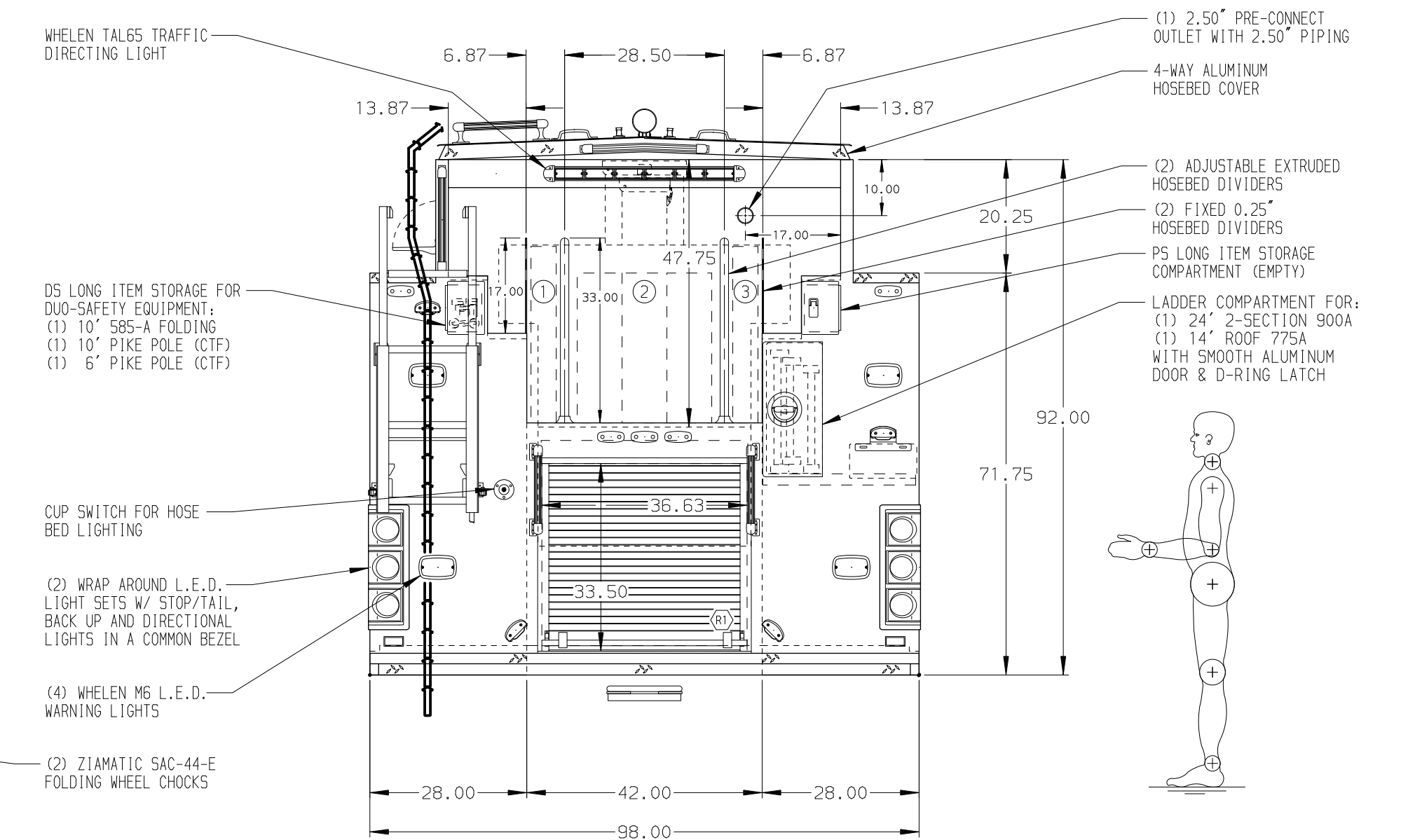
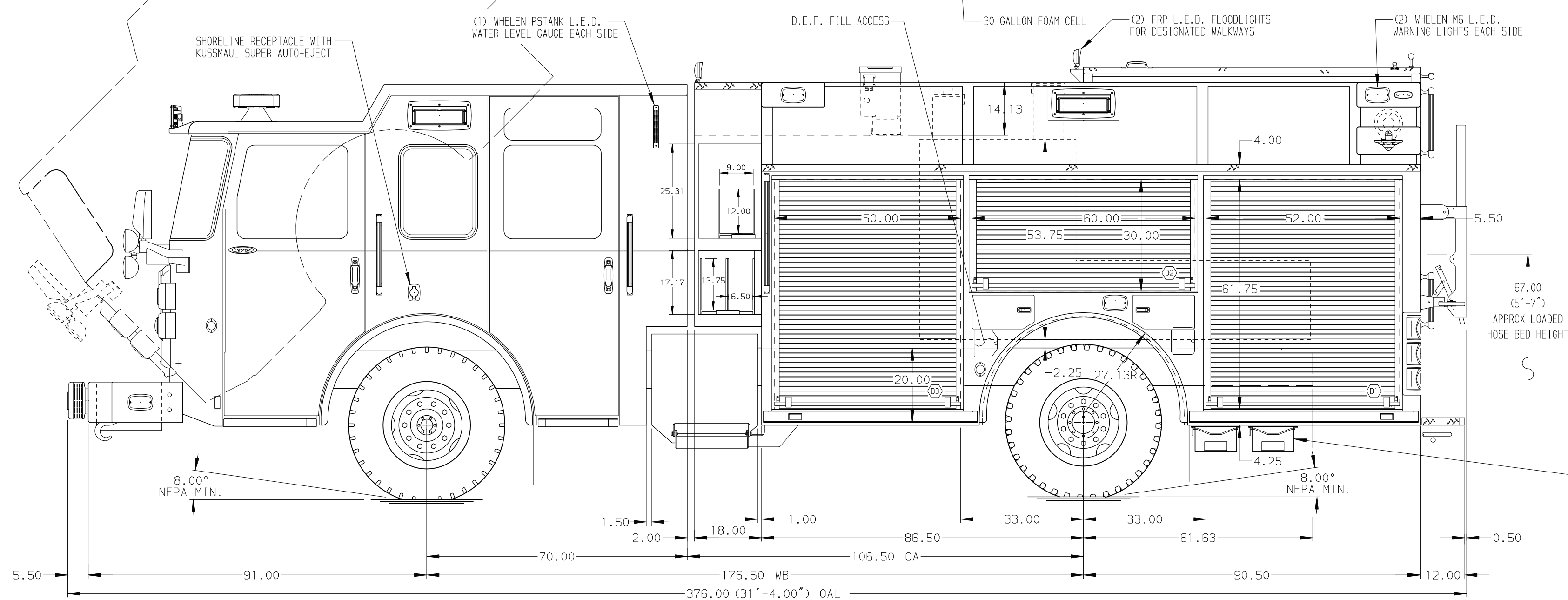


- HOSEBED CAPACITIES
- ① - 300' OF 2.50" D.J. HOSE
  - ② - 800' OF 5.00" D.J. HOSE
  - ③ - 300' OF 2.50" D.J. HOSE



ALUMINUM BODY

NOTE  
DIMENSIONS SHOWN ARE APPROXIMATE AND ARE SUBJECT TO MINOR DEVIATIONS AS MAY OCCUR OR BE NECESSARY IN CONSTRUCTION.  
MINOR DETAILS NOT SHOWN.

1. ONSPOT AUTOMATIC TIRE CHAINS TO BE PROVIDED AT REAR
2. BATTERY CHARGER LOCATED IN COMPARTMENT D3
3. BATTERY CHARGE INDICATOR LOCATED ON DRIVER'S SEAT RISER
4. DUAL L.E.D. LIGHT STRIPS LOCATED IN HOSE BED
5. DRIP PAN GUARD FOR ROLL-UP DOOR LOCATED ON ALL BODY COMPARTMENTS
6. THREE ADJUSTABLE SLIDE-OUT TRAYS IN COMPARTMENT D3
7. TWO ADJUSTABLE TILTING SLIDE-OUT TRAYS IN COMPARTMENT D2
8. ONE FLOOR MOUNTED SLIDE-OUT TRAY IN COMPARTMENTS P1, P3, & R1
9. TWO SLIDE-OUT TOOL BOARDS WITH PEGBOARD PATTERN IN COMPARTMENT D1
10. ONE SWING-OUT ALUMINUM TOOL BOARD IN COMPARTMENT P2

11. ONE VERTICAL PARTITION IN COMPARTMENT D1
12. AIR INLET WITH DISCONNECT COUPLING ON DS PUMP PANEL
13. SIX ADJUSTABLE FULL WIDTH/DEPTH SHELVES IN COMPARTMENTS (18D)

CUSTOMER APPROVAL

APPROVED BY: \_\_\_\_\_  
DATE: \_\_\_\_\_

CHASSIS DATA	TITLE
MAKE	FOR
PIERCE	DWG NO.
MODEL	ENFORCER
REV	DATE
BY	CH



1500-D-530P, 500G WATER, 30G FOAM, 177" PUC RESCUE (3) CROSSLAYS, HUSKY 3, DELUGE, LADDERS BESIDE TANK.

BOWLING GREEN FIRE DEPARTMENT  
BOWLING GREEN, KENTUCKY

32601AD

JOB NO.	32601 (01-04)
SCALE	1:24
DATE	
DRAWN BY	GVH
CHECKED BY	NPA
SHEET SIZE	D
SHEET NO.	1 OF 1