

PUMPER BODY

Medium Aluminum 2nd Gen Pumper

CHASSIS

Enforcer Chassis

CHASSIS AXLE, FRONT, CUSTOM

19,500 Lb TAK-4 Axle

AXLE, REAR

24,000 Lb Meritor Axle

ENGINE

450 HP Cummins L9 Engine

TRANSMISSION

Allison 5th Gen, 3000 EVS P

BUMPER

22" Extended Painted Steel

CAB

7000 Enforcer Cab

BODY

WATER TANK

600 Gallon New York Style Water Tank

COMPT, PUMPER, REAR

30.75" FF RollUp Flush Rear Compt

COMPT, PUMPER, DRIVER SIDE

152" RollUp Full Height Front & Rear FDLR

COMPT, PUMPER PASS. SIDE

152" RollUp Low FDLR

FIRE SUPPRESSION PUMPHOUSE

45" Control Zone Top Mount

PUMP

1750 GPM Waterous CSU

CROSSLAYS, 1.50"

1.50" Crosslays Not Required

CROSSLAYS, 2.50"

2.50" Crosslay Not Required

SPEEDLAYS

Speedlays Not Required

GENERATOR

Generator Not Required

Foam System

Foam System Not Required

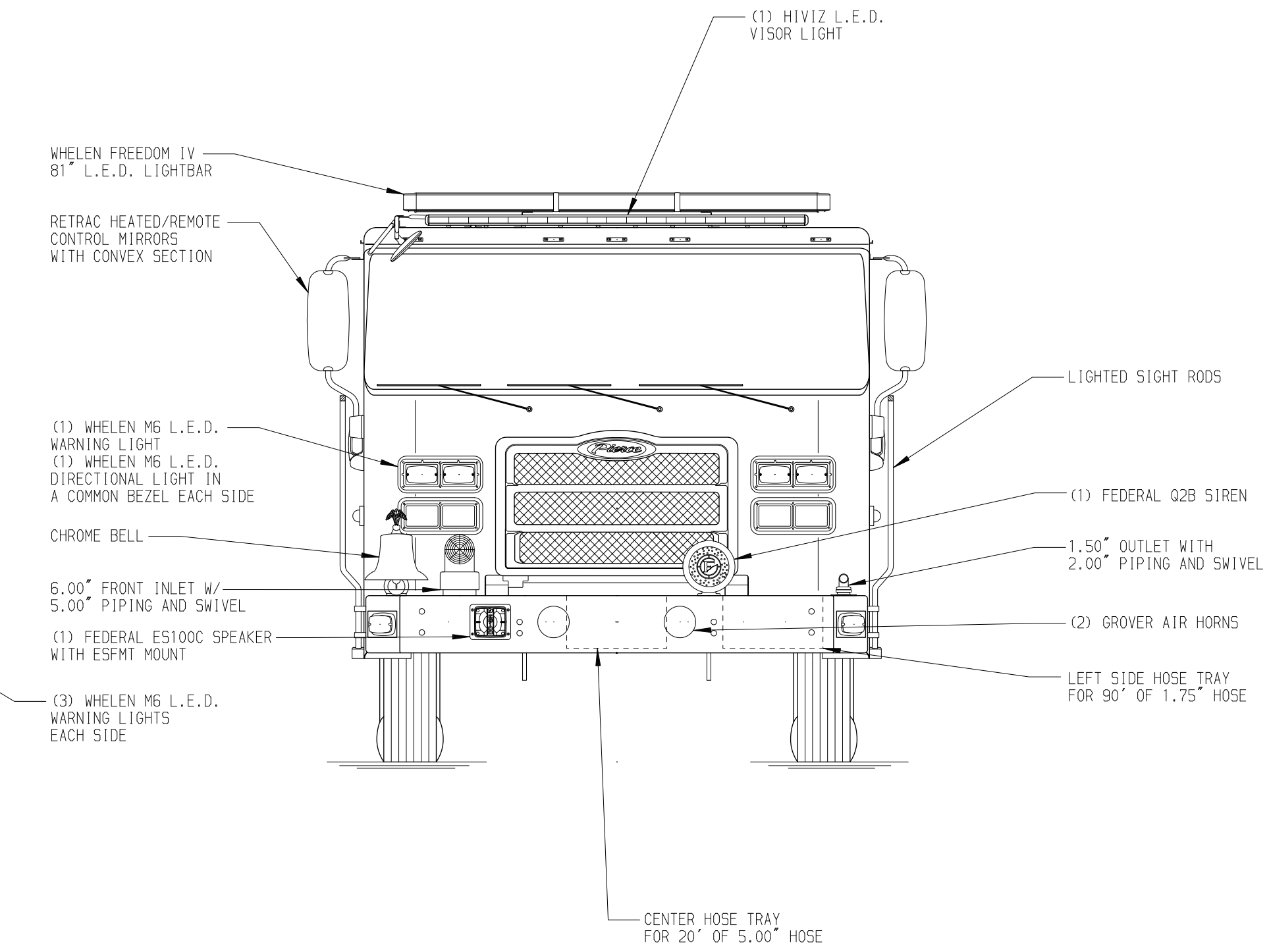
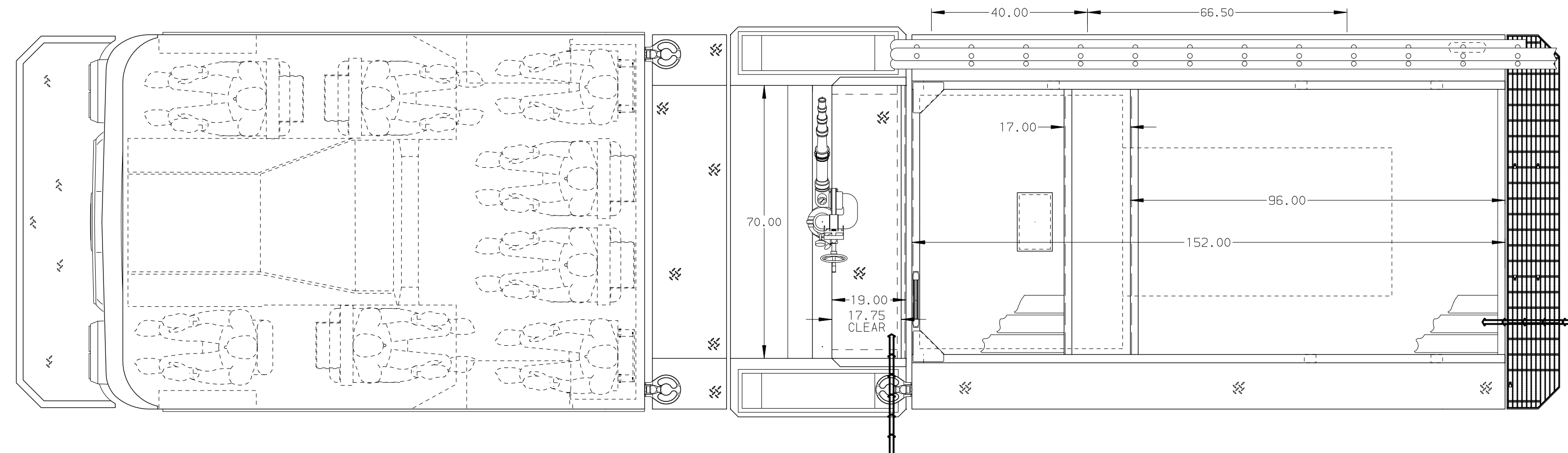
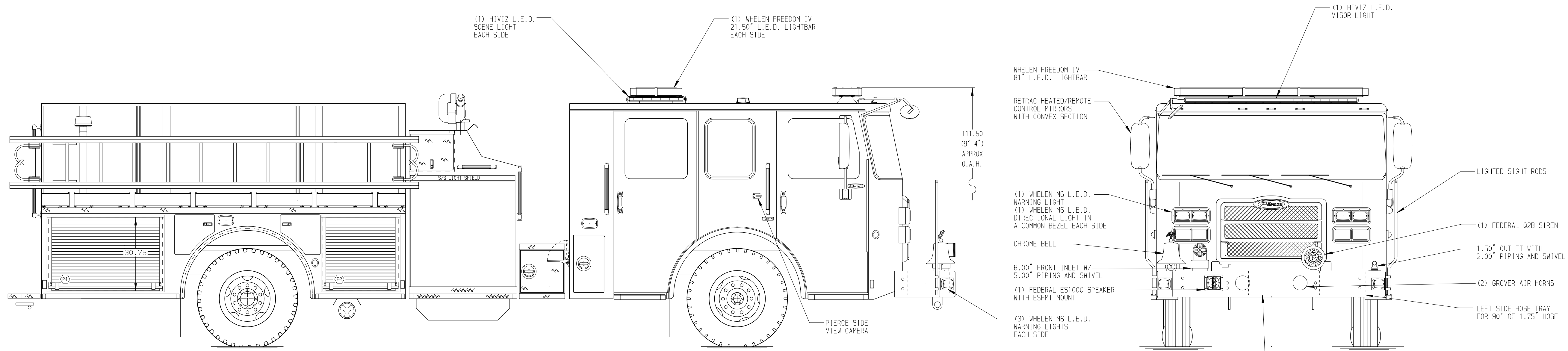
Foam Cell

Foam Cell Not Required

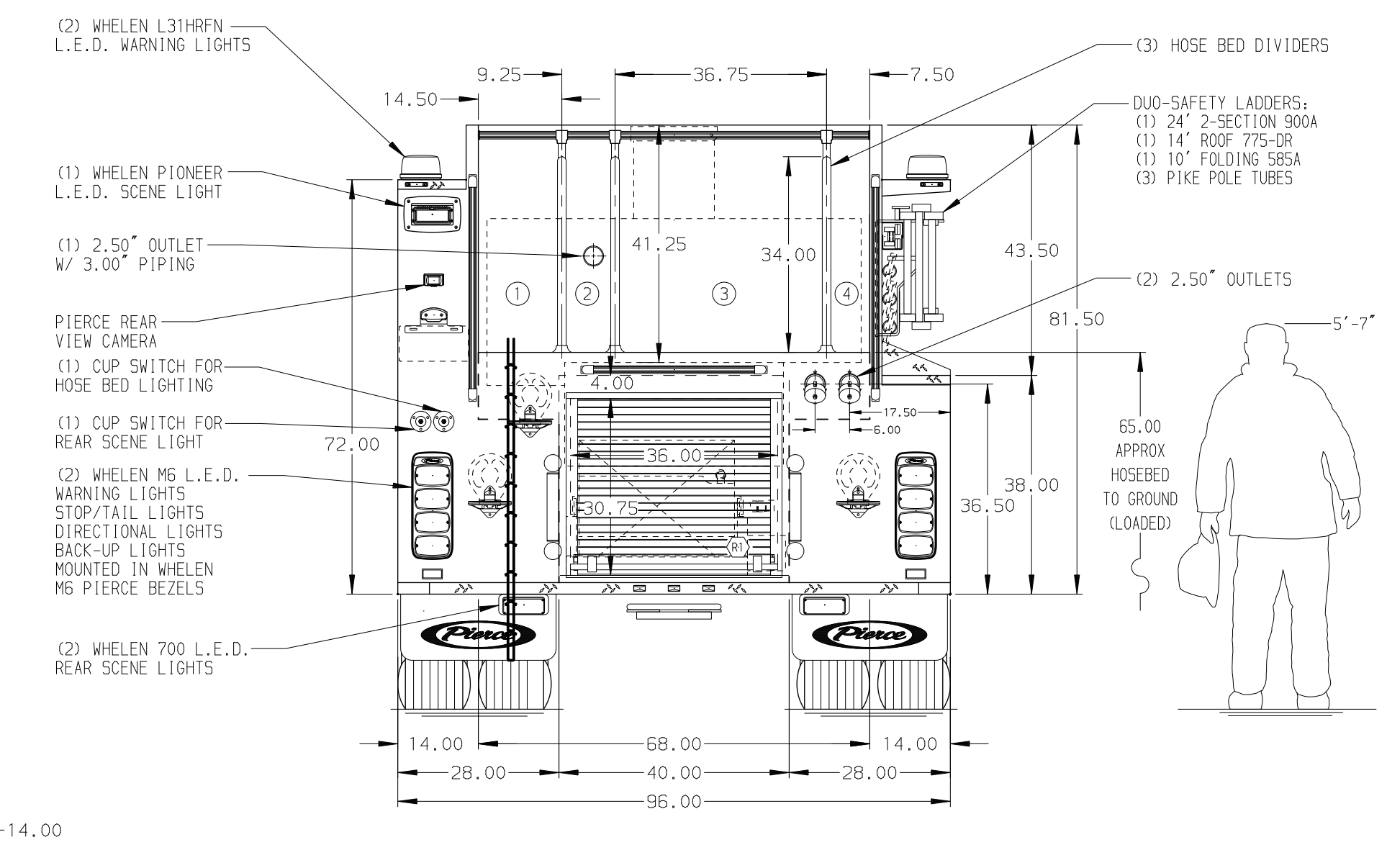
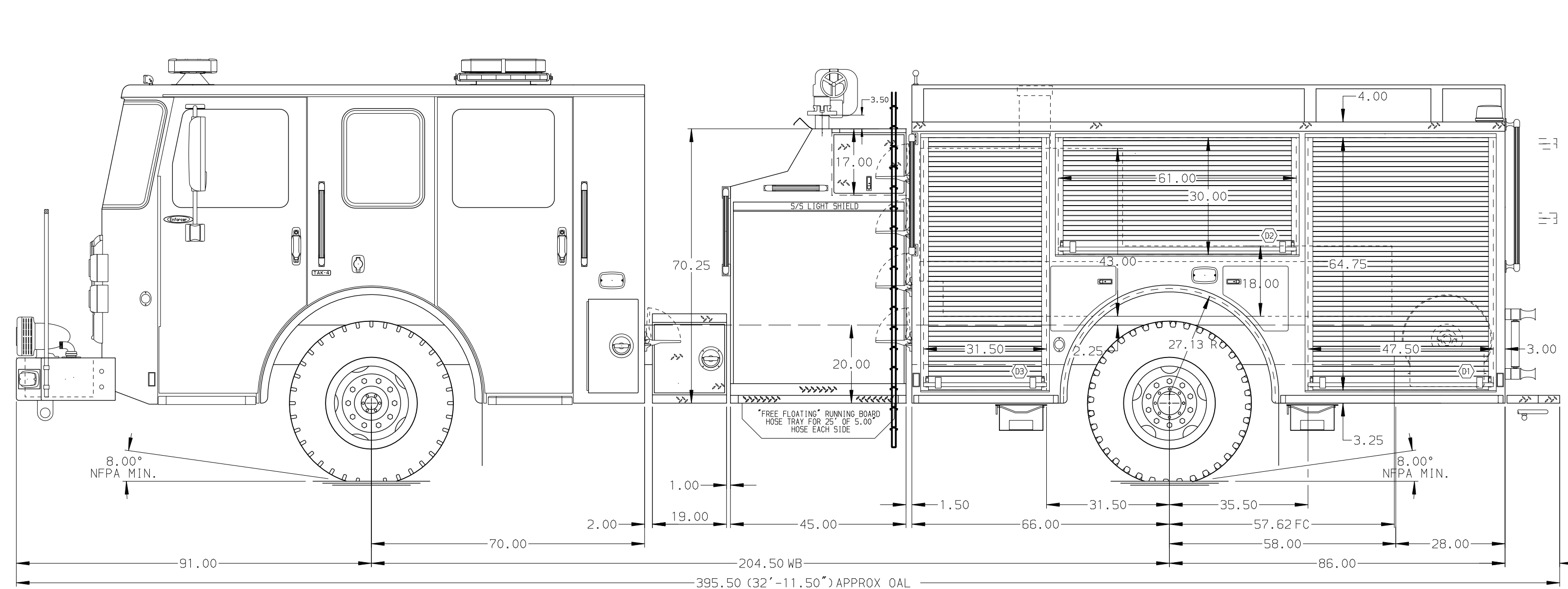
Frontal Impact Protection

NOTE
DIMENSIONS SHOWN ARE APPROXIMATE AND ARE SUBJECT TO MINOR DEVIATIONS AS MAY OCCUR OR BE NECESSARY IN CONSTRUCTION. MINOR DETAILS NOT SHOWN.

1. SHORELINE RECEPTACLE WITH KUSSMAUL SUPER AUTO-EJECT LOCATED ON DRIVER SIDE OF THE CAB
2. AIR INLET/OUTLET WITH DISCONNECT COUPLING IN THE DRIVER SIDE PUMP PANEL
3. BATTERY CHARGER LOCATED IN COMPARTMENT PER SHOP ORDER
4. BATTERY CHARGE INDICATOR LOCATED ON THE DRIVER SIDE SEAT RISER
5. SIX ADJUSTABLE SHELVES LOCATED PER SHOP ORDER
6. THREE FLOOR MOUNTED SLIDE-OUT TRAYS LOCATED PER SHOP ORDER
7. ONE SWING-OUT TOOLBOARD LOCATED PER SHOP ORDER
8. TWO 120V DUPLEX RECEPTACLES LOCATED PER SHOP ORDER
9. HANNAY BOOSTER REEL MODEL SBFC34-23-24 LOCATED IN COMPARTMENT R1 WITH CAPACITY FOR 200' OF 1.00" BOOSTER HOSE



HOSEBED CAPACITY	
BED 1	800' OF 2.50" D.J. POLY HOSE
BED 2	300' OF 2.50" D.J. POLY HOSE PRECONNECT
BED 2	1000' OF 5.00" D.J. POLY HOSE
BED 2	200' OF 1.75" D.J. POLY HOSE PRECONNECT
BED 2	200' OF 1.75" D.J. POLY HOSE PRECONNECT
BED 2	200' OF 1.75" D.J. POLY HOSE DEADLAY



MAXIMUM O.A.H. - 112.00"

MAXIMUM O.A.L. - 392.50"

CUSTOMER APPROVAL

APPROVED BY: _____
DATE: _____



JOB NO. 32606

SCALE 1:24 DATE

REV	DATE	BY	CH	ENFORCER

TITLE	FOR	DWG NO.
Pierce Pumper Approval Drawing	Levittown Fire District	32606AD

DRAWN BY	CHECKED BY	SHEET SIZE	SHEET NO.
COL	KBO	D	1 OF 1