

RIGHT SIDE COMPARTMENTS CONTAIN THE FOLLOWING:

COMPARTMENT RS1 CONTAINS:

- (4) STD DEPTH ADJUSTABLE SHELVES
- (1) 2-WAY ADJ SLIDE OUT TRAY
- (1) 2-WAY FLOOR MTD SLIDE OUT TRAY
- (1) HORIZONTAL FLOOR EXTENSION
- (1) VERTICAL COMPARTMENT DIVIDER
- (1) #1,000 SLIDEMASTER FLOOR MTD TRAY
- (1) AKRON ELECTRIC CORD REEL WITH 200' OF 10/4 YELLOW CORD

COMPARTMENT RS2 CONTAINS:

- (2) 1/2 DEPTH ADJ SLIDE OUT/TILT TRAYS
- (1) 2-WAY FLOOR MOUNTED SLIDE OUT TRAY

COMPARTMENT RS3 CONTAINS:

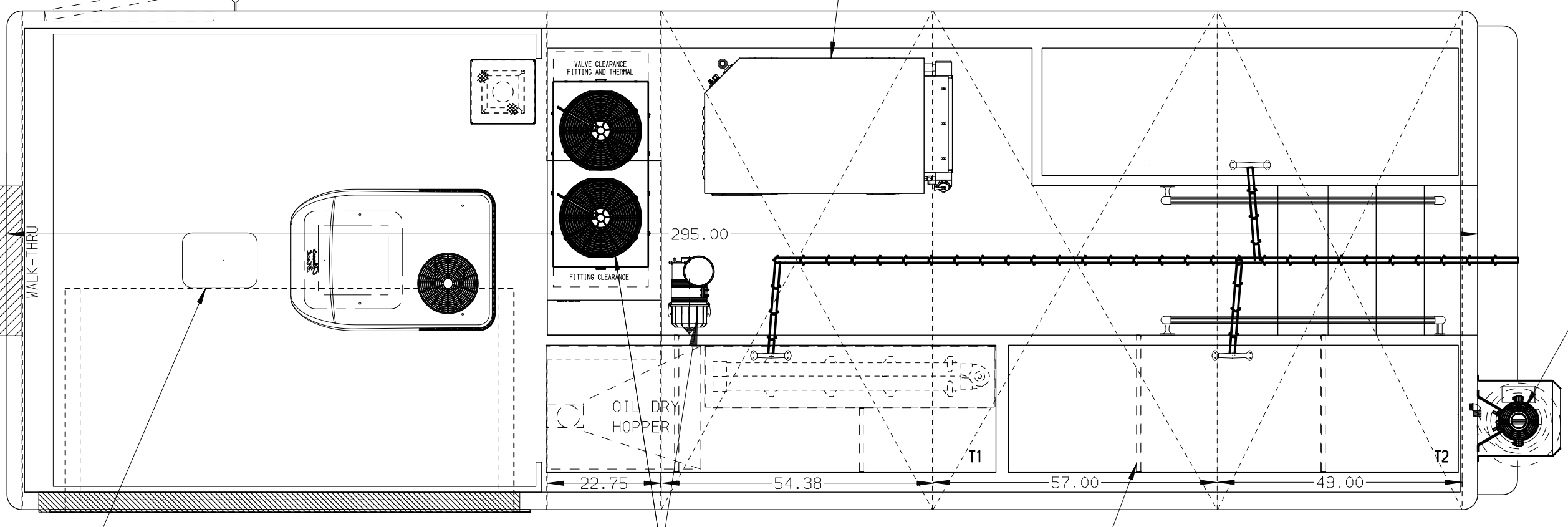
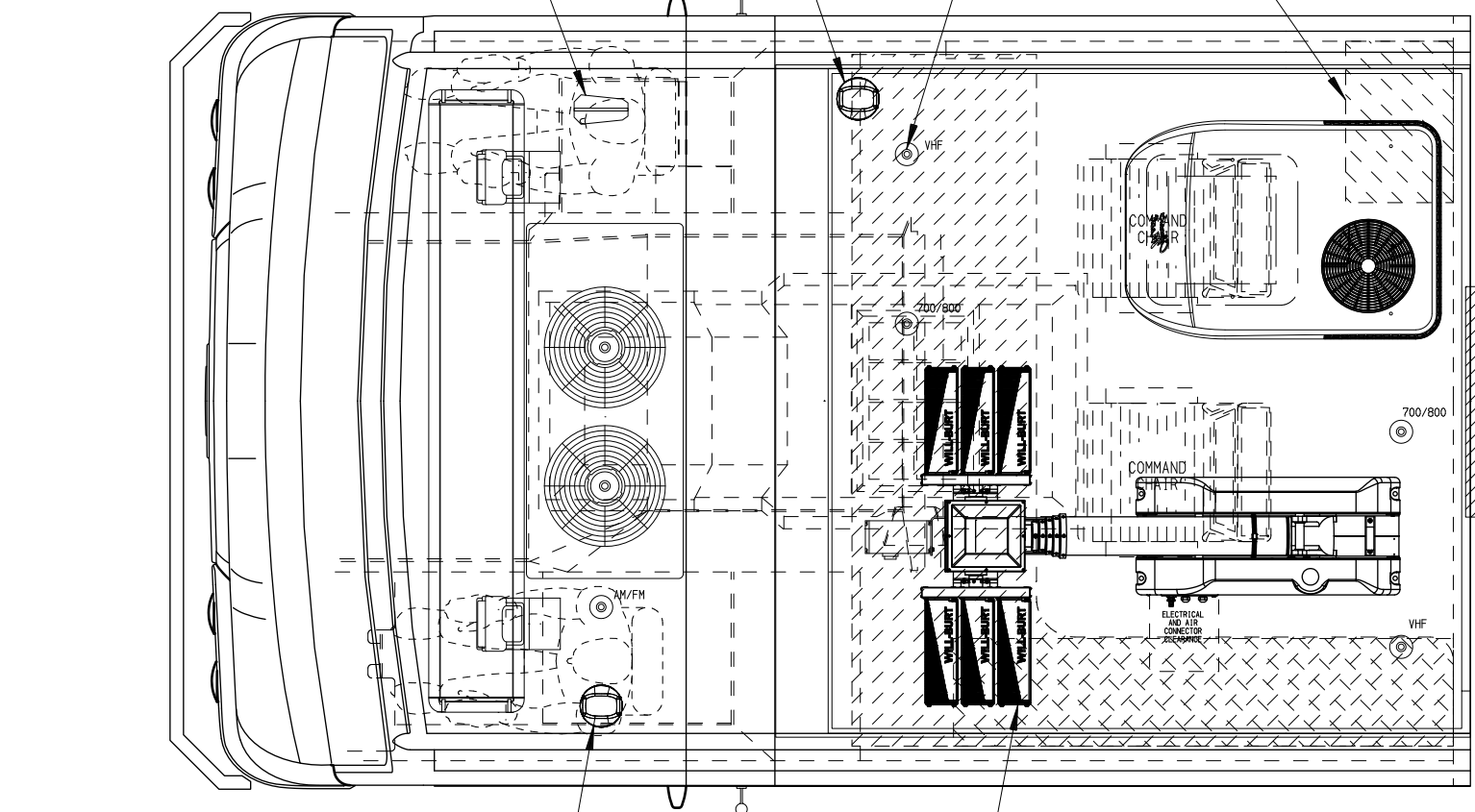
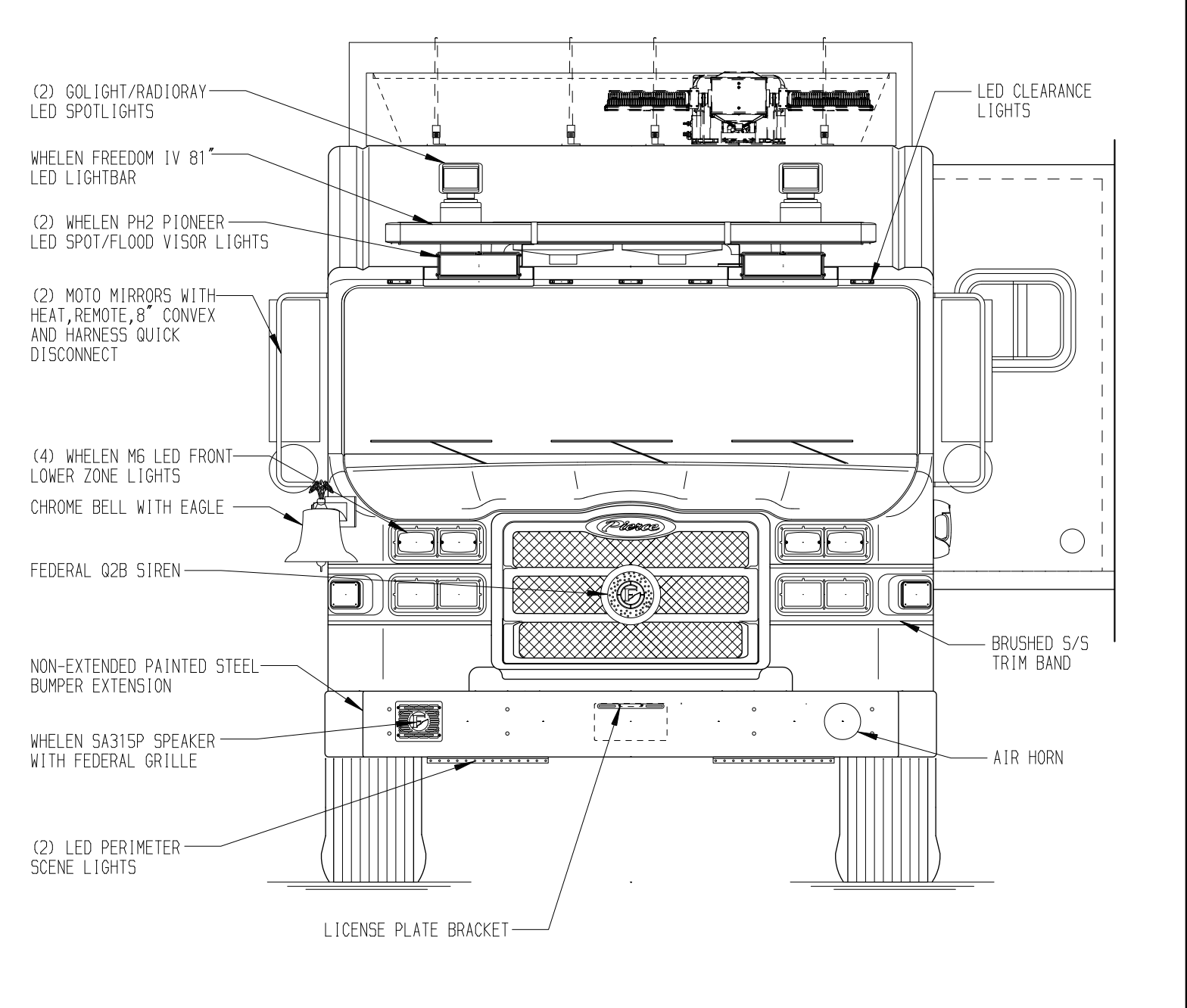
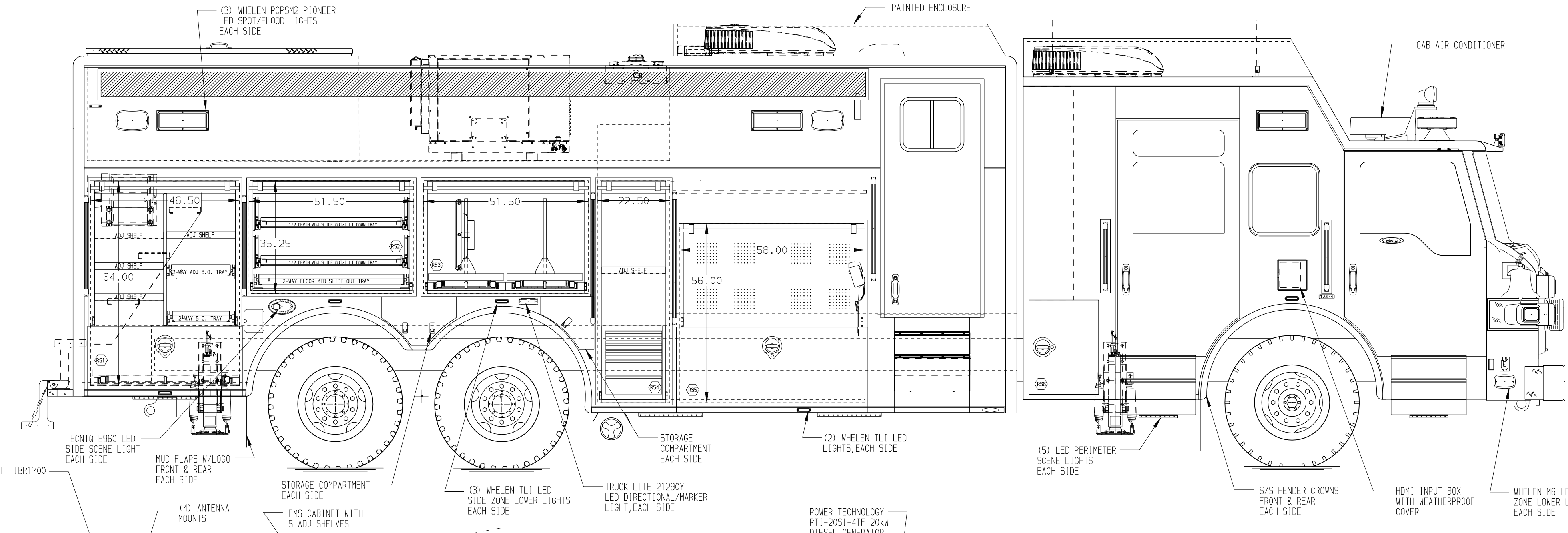
- (2) 2-WAY FLOOR MOUNTED SLIDE OUT TRAYS WITH TOOLBOARDS
- (1) 43" WEATHERPROOF SWING OUT MONITOR

COMPARTMENT RS4 CONTAINS:

- (1) 5-DRAWER C-TECH CABINET
- (1) STD DEPTH ADJ SHELF

COMPARTMENT RS5 CONTAINS:

- TOOLBOARD ON REAR WALL OF COMPARTMENT
- (1) LIGHT TOWER CONTROLLER



LEFT SIDE COMPARTMENTS CONTAIN THE FOLLOWING:

COMPARTMENT LS1 CONTAINS:

- (1) 2-WAY ADJ SLIDE OUT TRAY
- (1) 2-WAY FLOOR MTD SLIDE OUT TRAY
- (1) VERTICAL COMPARTMENT DIVIDER
- (1) HORIZONTAL FLOOR EXTENSION
- (1) #1,000 SLIDEMASTER FLOOR MTD TRAY
- (1) FLOOR MOUNTED TRAY W/SPECIAL SIDES
- (2) STD DEPTH ADJ SHELVES
- (1) TOOL AIR REEL W/200' OF HOSE
- AIR REGULATOR WITH GAUGES

COMPARTMENT LS2 CONTAINS:

- (2) 1/2 DEPTH ADJ SLIDE OUT/TILT TRAYS
- (1) 2-WAY FLOOR MOUNTED SLIDE OUT TRAY

COMPARTMENT LS3 CONTAINS:

- (2) 2-WAY FLOOR MOUNTED SLIDE OUT TRAYS WITH TOOLBOARDS
- (6) SCBA BRACKETS

COMPARTMENT LS4 CONTAINS:

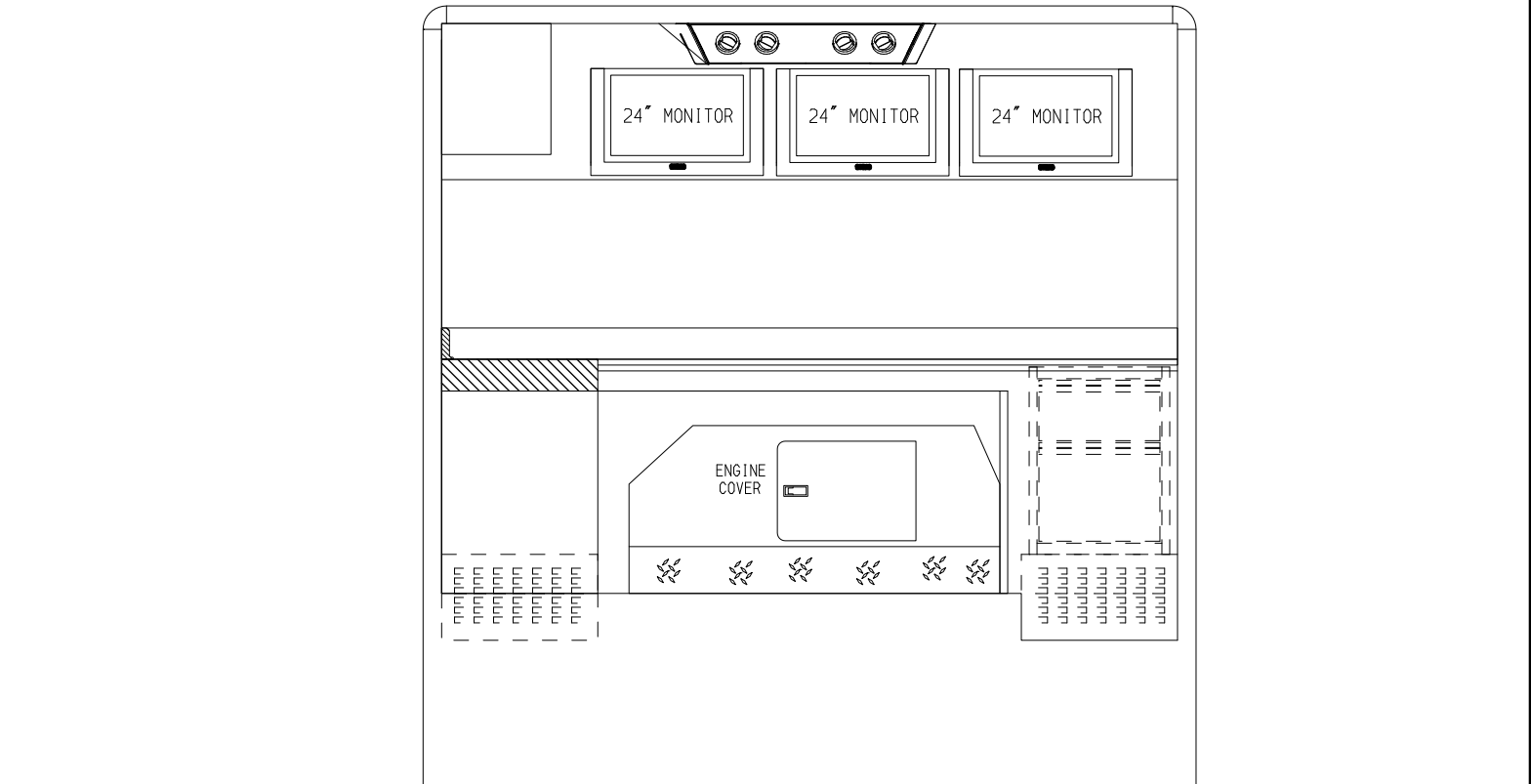
- (1) OIL DRY HOPPER
- (1) VERTICAL COMPARTMENT DIVIDER
- (2) STD DEPTH ADJ SHELVES
- WANAIR SYSTEM CONTROL PANEL
- AIR REGULATOR WITH GAUGES

COMPARTMENT LS5 CONTAINS:

- SLIDE OUT SYSTEM COMPONENTS
- 10 GALLON DEF FLUID TANK

COMPARTMENT LS6 CONTAINS:

- AIR REGULATOR WITH GAUGES
- (1) 120V MAST COMPRESSOR
- (2) PROGRESSIVE DYNAMICS CHARGERS



NOTE

DIMENSIONS SHOWN ARE APPROXIMATE AND ARE SUBJECT TO MINOR DEVIATIONS AS MAY OCCUR OR BE NECESSARY IN CONSTRUCTION. MINOR DETAILS NOT SHOWN.

NOTES:

- BRUSHED S/5 SCUFFPLATE ON REAR OF ENGINE TUNNEL
- BRUSHED S/5 SCUFFPLATES ON CAB DOOR JAMBS
- BRUSHED S/5 SCUFFPLATES BEHIND CAB DOOR HANDRAILS
- FLOOR IN CAB AND CREW CAB TO BE PADDED RUBBER
- SPECIAL STORAGE COMPARTMENT ON TOP OF ENGINE TUNNEL WITH ADJ SHELF
- DAVID CLARK INTERCOM SYSTEM
- H&W LEVELIZE AUTOMATIC LEVELING SYSTEM
- PULL STRAPS ON ALL BODY ROLL-UP DOORS
- S/5 GUARDS ON ALL BODY ROLL-UP DOORS
- 15/20A, 120V DUPLEX RECEPTACLES LOCATED PER SHOP ORDER
- AMOR LED LIGHTS IN ALL BODY AND HATCH COMPARTMENTS
- RACK FOR LITTLE GIANT LADDER IN T1 HATCH COMPARTMENT

MAXIMUM O.A.H. 11'-11"

MAXIMUM O.A.L. 41'-0"

(SIDE ROLL & FRONTAL IMPACT PROTECTION)

CLEAR DOOR WIDTH KEY		CHASSIS DATA	
AMOR ROLL UP DOORS:	-2 1/4"	DATE	29JAN19
CORTILE ROLL UP DOORS:	-2 1/2"	BY	SBR CDK
PIERCE DOUBLE LAP DOORS:	-4 1/4"	DATE	10DEC18
PIERCE LIFT-UP LAP DOORS:	-1 1/2"	BY	DHE CDK
(EX: 60" F-F - 2 1/4" = 57 3/4" CLEAR)		DATE	22AUG18
(F-F) = FRAME TO FRAME		BY	DHE CDK
		CH	VXFR8420

Pierce MANUFACTURING INC.

JOB NO. 32666

SCALE 1:24 DATE

TITLE HEAVY DUTY RESCUE SPECIAL SERVICE APPARATUS, HAZMAT

DRAWN BY DHE 08AUG18

FOR SAN JOSE HAZMAT SAN JOSE, CA

CHECKED BY CDK 09AUG18

DWG NO. 32666AD-SH1

SHEET SIZE D SHEET NO. 1 OF 1