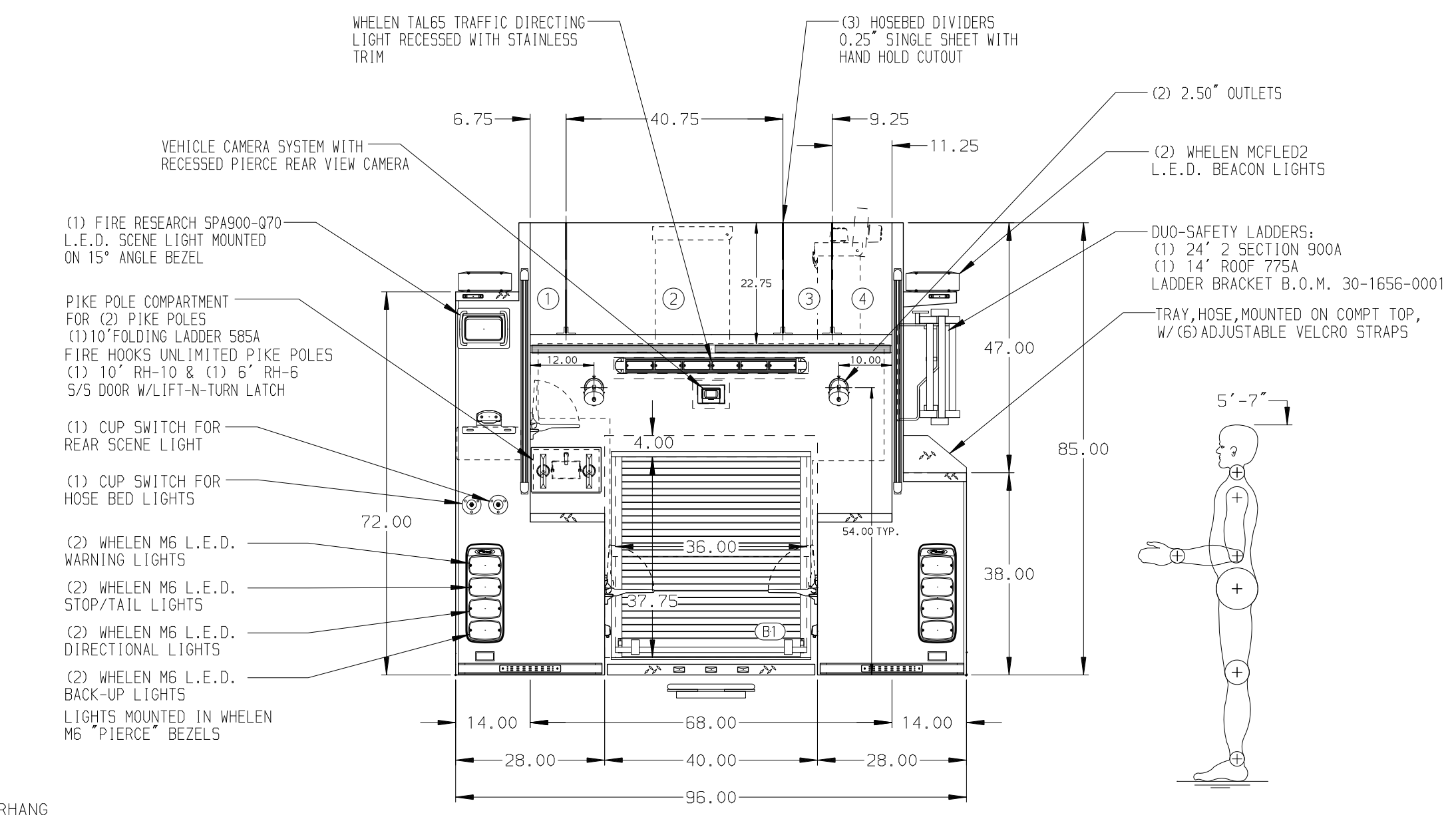


- HOSEBED CAPACITIES
- ① 250' OF 1.75" D.J. POLY HOSE
 - ② 1200' OF 5.00" D.J. POLY HOSE
 - ③ 300' OF 2.50" D.J. POLY HOSE
 - ④ 300' OF 3.00" D.J. POLY HOSE



ALUMINUM BODY

NOTE
DIMENSIONS SHOWN ARE APPROXIMATE AND ARE SUBJECT TO MINOR DEVIATIONS AS MAY OCCUR OR BE NECESSARY IN CONSTRUCTION. MINOR DETAILS NOT SHOWN.

1. RUD AUTOMATIC TIRE CHAINS TO BE PROVIDED AT REAR
2. BATTERY CHARGER LOCATED IN COMPARTMENT LS3
3. DUAL L.E.D. LIGHT STRIPS LOCATED IN HOSE BED
4. STAINLESS STEEL SCUFFPLATE ON BODY REAR CORNERS AND CAB DOOR JAMBS
5. DRIP PAN GUARD FOR ROLL-UP DOOR LOCATED LS1, LS2, LS3, RS1, RS2, B1
6. L.E.D. LIGHT STICKS LOCATED IN THE CARGO AREA
7. ONE ADJUSTABLE SLIDE-OUT TRAY IN COMPARTMENT LS1
8. FLOOR MOUNTED SLIDE-OUT TRAYS - LOCATIONS TBD
9. ONE ADJUSTABLE SHELF IN COMPARTMENTS LS1, LS3 AND B1
10. PARTITION BETWEEN COMPARTMENTS LS1/B1 AND RS1/B1
11. PAC TRAC ON THE REAR WALL OF COMPARTMENT LS3

REV	DATE	BY	CH	SABER FR
23SEP18	JAF	DDR		MAKE
13SEP18	JAF	NAS		PIERCE
20JUL18	JRO	AJA		MODEL

		JOB NO.	32707
		SCALE	DATE
TITLE	1500-D-750 WATER/25 FOAM, 152" BODY, 52" SIDE CONTROL FOAM SYSTEM	DRAWN BY	JRO
FOR	HANOVER TOWNSHIP FIRE DISTRICT #3 CEDAR KNOLLS, NEW JERSEY	CHECKED BY	AJA
DWG NO.	32707AD	SHEET SIZE	SHEET NO.
		D	1 OF 1