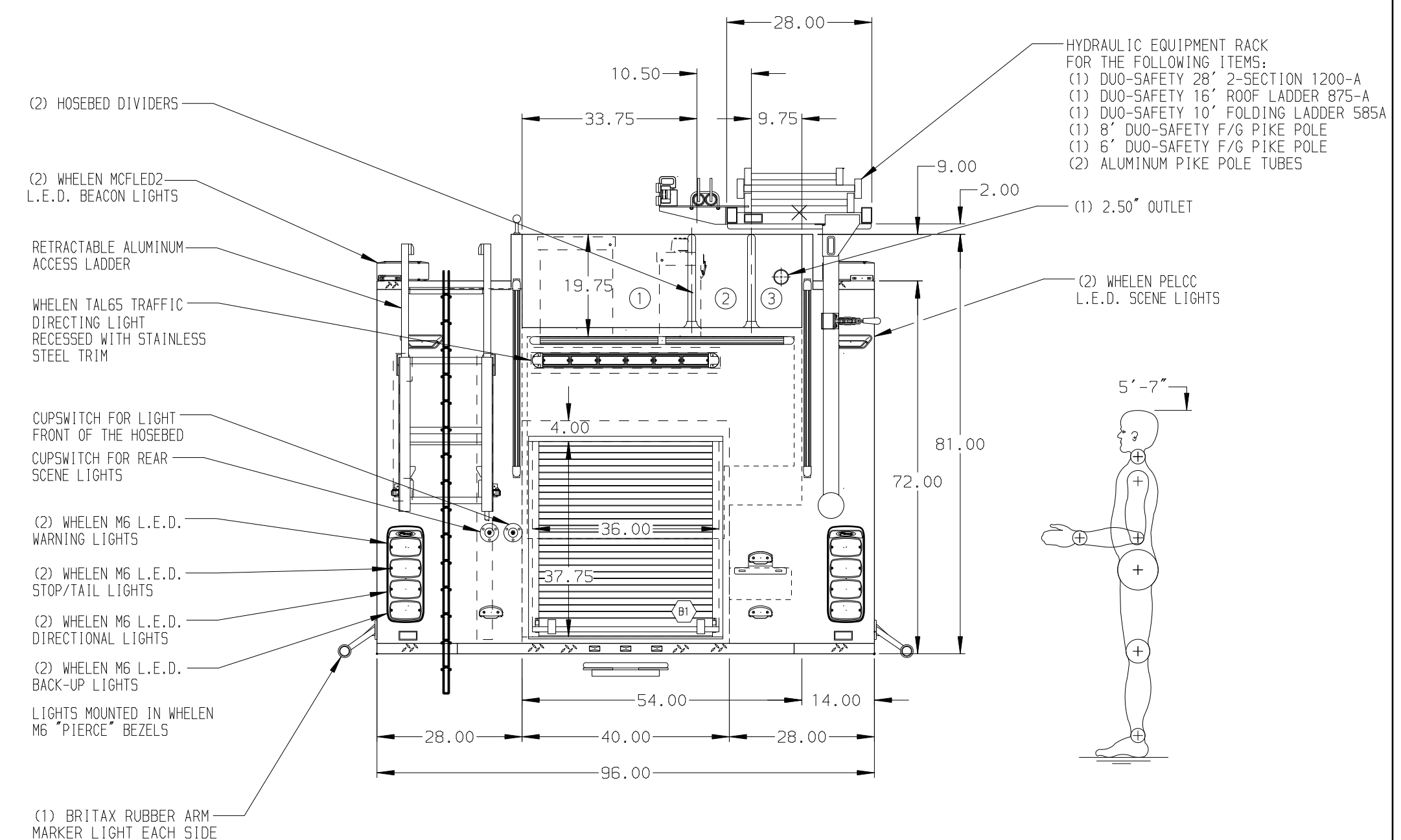
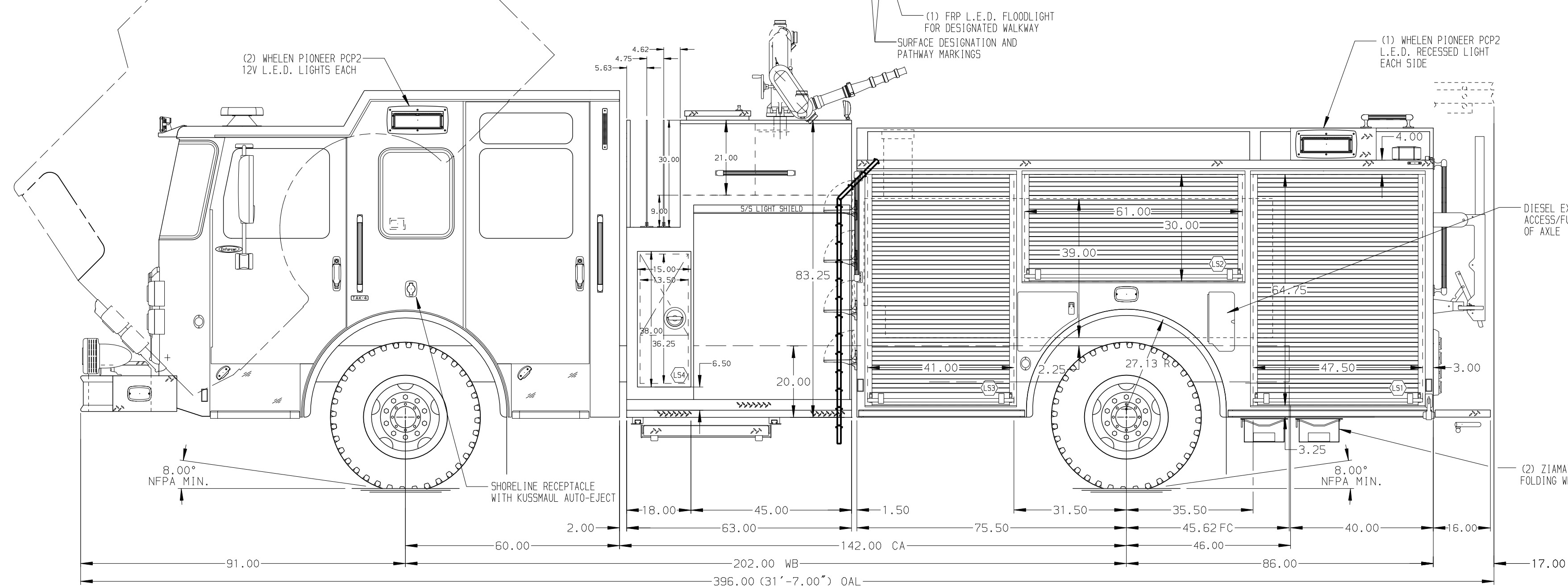


- HOSEBED CAPACITIES
- ① 850' OF 5.00" D.J. POLY HOSE
 - ② 400' OF 2.50" D.J. POLY HOSE
 - ③ 300' OF 2.50" D.J. POLY HOSE



ALUMINUM BODY

SIDE ROLL AND FRONTAL IMPACT PROTECTION

NOTE

1. ONSPOT AUTOMATIC TIRE CHAINS TO BE PROVIDED AT REAR
2. BATTERY CHARGER LOCATED IN COMPARTMENT L53
3. BATTERY CHARGER INDICATOR BEHIND DRIVER'S SEAT DISPLAYED THROUGH WINDOW
4. 5/STL SCUFFPLATE ON EACH CAB DOOR JAMB
5. 5/STL SCUFFPLATE CORNER GUARD ON REAR CAB CORNERS
6. 5/STL SCUFFPLATE BEHIND CAB EXTERIOR DOOR HANDLES
7. WHELEN 700DEL2R L.E.D. LIGHT LOCATED AT THE FRONT OF THE HOSE BED
8. ONE FLOOR MOUNTED SLIDE-OUT TRAY IN COMPARTMENT RS3
9. SWING-OUT TOOL BOARD WITH PEGBOARD PATTERN IN COMPARTMENTS RS2
10. SLIDE-OUT TOOL BOARD WITH PEGBOARD PATTERN IN COMPARTMENT L53
11. FULL WIDTH/DEPTH PAINTED ADJUSTABLE SHELVES TWO IN L51, L53, R51, R53; ONE IN L52
12. ONE VERTICAL PARTITION IN COMPARTMENTS L51 AND L53
13. FLOOR EXTENSION WITH 1.00" UPTURNED LIP IN COMPARTMENTS L54 AND R54; TWO SHIP LOOSE
14. FOAM PRO 1600 SINGLE AGENT FOAM SYSTEM LOCATED PER SHOP ORDER

		JOB NO.	32738
		SCALE	DATE
TITLE 1500-D-770P, 750G WATER W/20G FOAM CELL, 161" RMPR (3)X LAYS, HYDRAULIC LADDER RACK, DELUGE		DRAWN BY	LME 26JUL18
FOR CITY OF URBANDALE URBANDALE, IOWA		CHECKED BY	CCA 26JUL18
DWG NO. 32738AD		SHEET SIZE	SHEET NO. D 1 OF 1

REV	DATE	BY	CH	ENFORCER
020CT18	VAJ	EFA	MAKE	
05SEP18	LME	EFA	PIERCE	
03AUG18	CCA	CDU	MODEL	