

PASSENGER'S SIDE COMPARTMENTS CONTAIN THE FOLLOWING:

COMPARTMENT RS1 CONTAINS:

- (1) HORIZONTAL DIVIDER
- (2) STD DEPTH ADJ SLIDE OUT TRAYS W/TOOLBOARDS
- (1) VERTICAL COMPARTMENT DIVIDER
- (1) STD DEPTH SLIDE OUT/TILT TRAY
- (1) FLOOR MOUNTED TRAY
- (1) STD DEPTH ADJ SLIDE OUT TRAY
- PEGBOARD ON LEFHAND SIDE WALL
- PEGBOARD ON REAR WALL
- (1) 15/20A, 120V DUPLEX RECEPTACLE

COMPARTMENT RS2 CONTAINS:

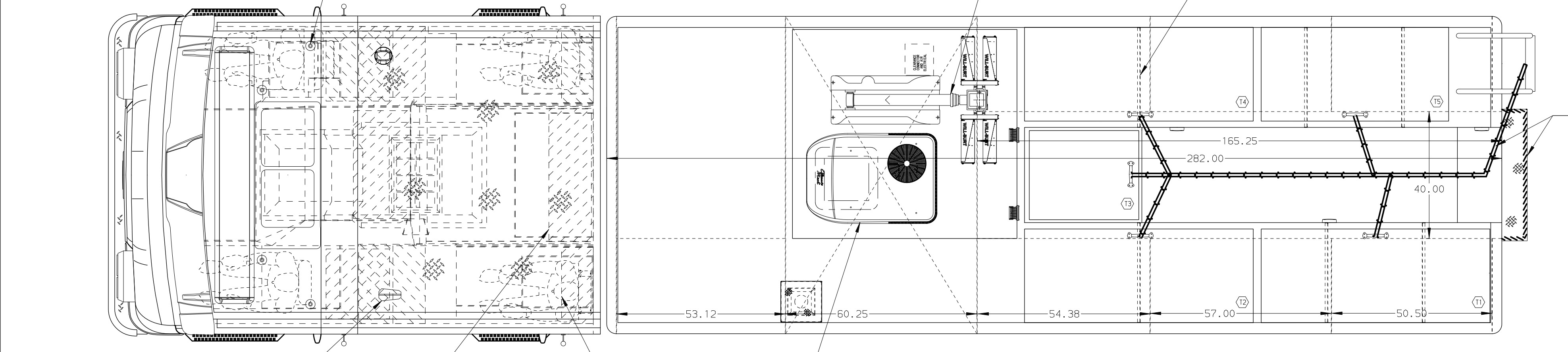
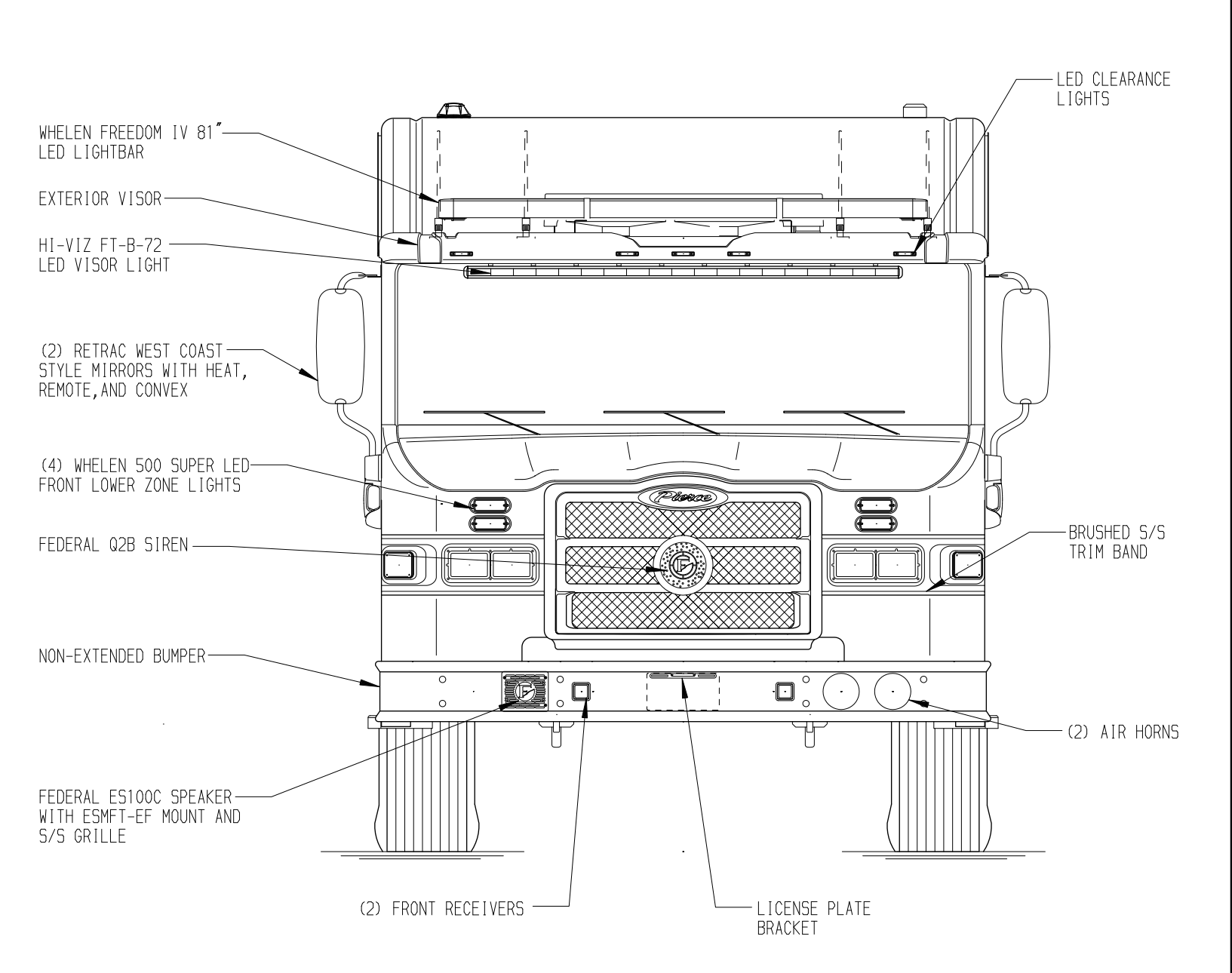
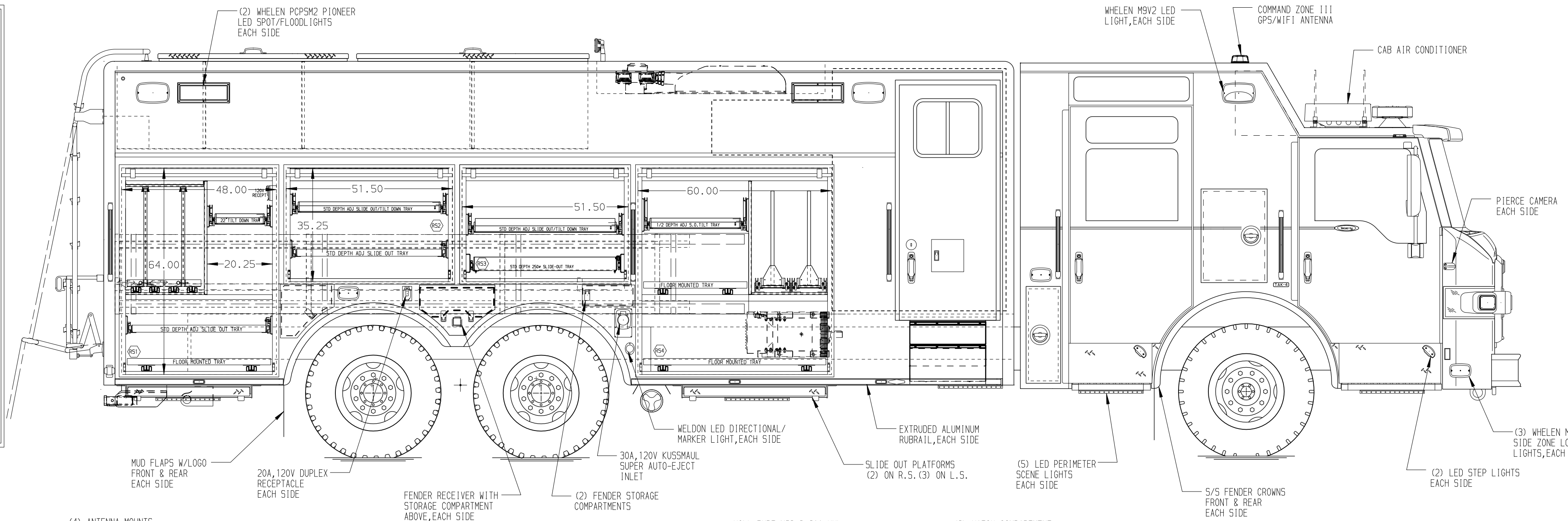
- (1) STD DEPTH ADJ SLIDE OUT/TILT TRAY
- (1) STD DEPTH ADJ SLIDE OUT TRAY

COMPARTMENT RS3 CONTAINS:

- (1) STD DEPTH ADJ SLIDE OUT/TILT TRAY W/4" SIDES
- (1) STD DEPTH ADJ SLIDE OUT TRAY W/4" SIDES

COMPARTMENT RS4 CONTAINS:

- (1) TRANSVERSE VERTICAL DIVIDER
- (2) 2-WAY FLOOR MTD SLIDE OUT TRAYS WITH TOOLBOARDS
- (1) 1/2 DEPTH ADJ SLIDE OUT/TILT TRAY
- (2) FLOOR MOUNTED TRAYS
- (1) TRANSVERSE FALSE FLOOR



DRIVER'S SIDE COMPARTMENTS CONTAIN THE FOLLOWING:

COMPARTMENT LS1 CONTAINS:

- (1) STD DEPTH ADJ SLIDE OUT TRAY
- (2) SWING OUT TOOLBOARDS
- PEGBOARD ON REAR WALL
- (1) STD DEPTH FLOOR MOUNTED TRAY

COMPARTMENT LS2 CONTAINS:

- (1) STD DEPTH ADJ SLIDE OUT/TILT TRAY
- (1) STD DEPTH ADJ SLIDE OUT TRAY

COMPARTMENT LS3 CONTAINS:

- (1) STD DEPTH ADJ SLIDE OUT/TILT TRAY W/4" SIDES
- (1) STD DEPTH ADJ SLIDE OUT TRAY W/4" SIDES

COMPARTMENT LS4 CONTAINS:

- (1) TRANSVERSE VERTICAL DIVIDER
- (2) 2-WAY FLOOR MTD SLIDE OUT TRAYS WITH TOOLBOARDS
- (1) 1/2 DEPTH ADJ SLIDE OUT/TILT TRAY
- (2) FLOOR MOUNTED TRAYS
- (1) TRANSVERSE FALSE FLOOR

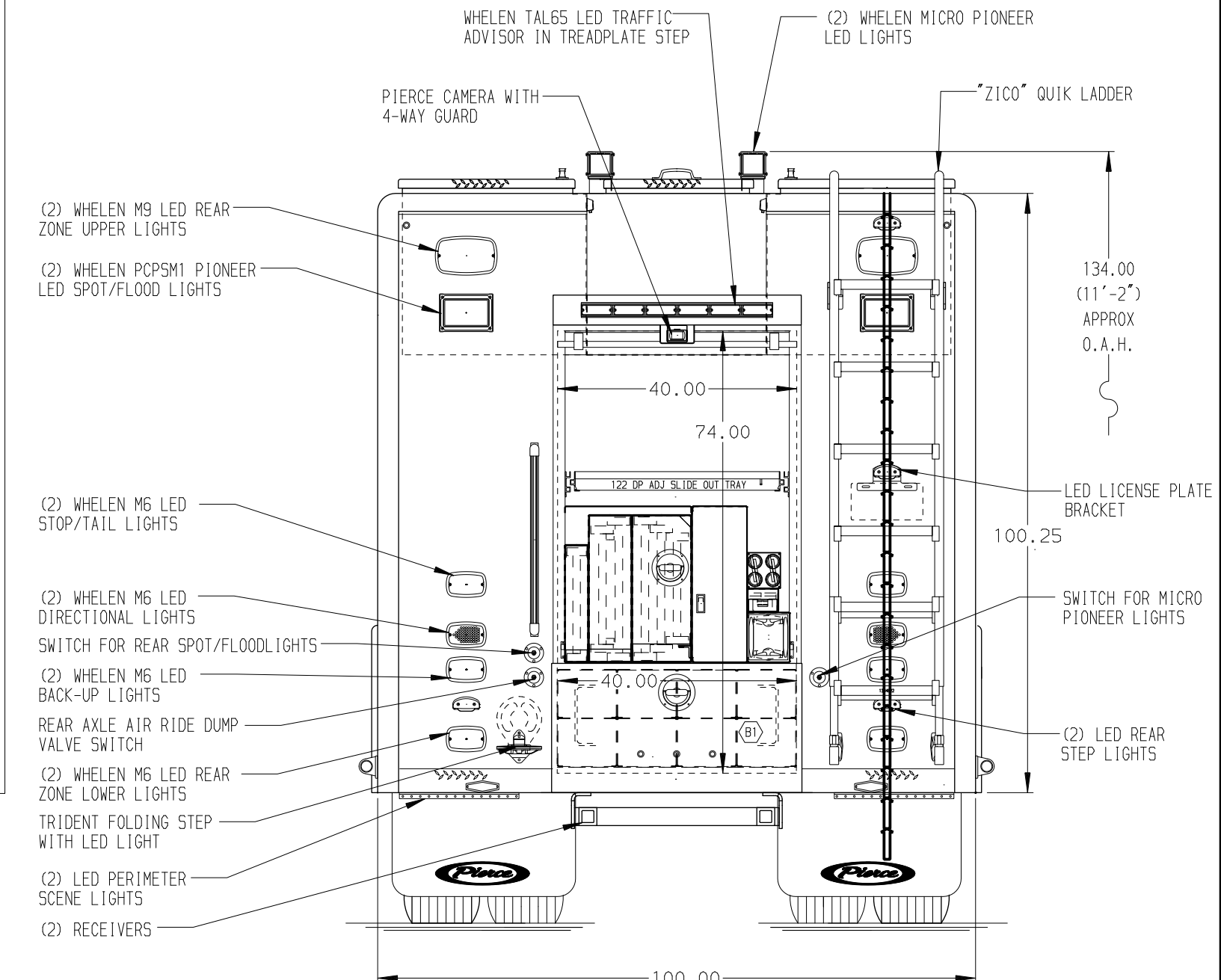
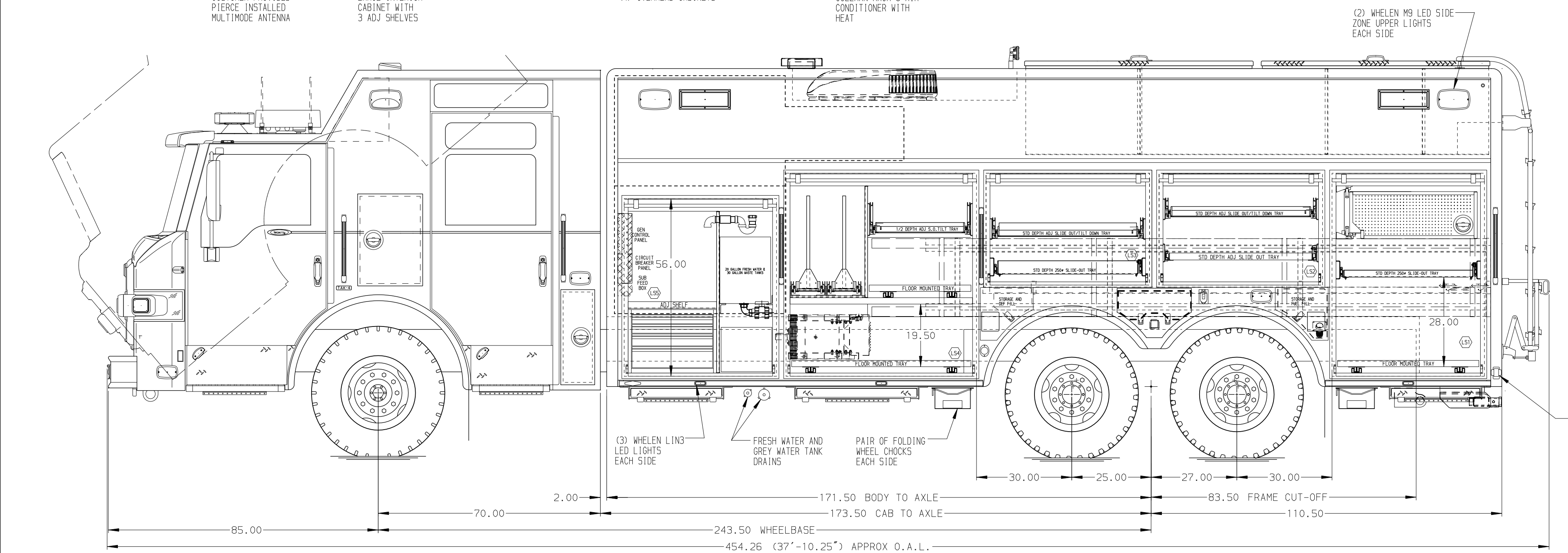
COMPARTMENT LS5 CONTAINS:

- (1) CIRCUIT BREAKER PANEL
- (1) GENERATOR METER PANEL
- (1) SUB FEED BOX
- (1) VERTICAL COMPARTMENT DIVIDER
- (1) NIGHT SCAN CONTROLLER
- (1) STD DEPTH ADJ SHELF
- (1) 4-DRAWER C-TECH CABINET
- 20 GALLON FRESH WATER AND 30 GALLON GREY WATER TANK
- BACK WALL TO BE PEGBOARD

REAR COMPARTMENT CONTAINS THE FOLLOWING:

COMPARTMENT B1 CONTAINS:

- (1) HORIZONTAL FLOOR EXTENSION
- (1) RACK FOR 8 SCBA BOTTLES
- (1) RACK FOR THE FOLLOWING:
 - (1) 35" 3-SECTION LADDER
 - (1) 28" 2-SECTION LADDER
 - (1) 16" ROOF LADDER
 - (1) 12" FOLDING LADDER
 - (2) 8" RUBBISH HOOKS
 - (4) PIKE POLES
 - (1) TROUGH FOR STOKES BASKET



NOTE:

DIMENSIONS SHOWN ARE APPROXIMATE AND ARE SUBJECT TO MINOR DEVIATIONS AS MAY OCCUR OR BE NECESSARY IN CONSTRUCTION. MINOR DETAILS NOT SHOWN.

- NOTES:**
- BRUSHED 5/5 SCUFFPLATES ON CAB AND CREW CAB DOOR JAMBS
 - BRIGHT ALUMINUM TREADPLATE ON REAR OF ENGINE TUNNEL
 - FLOOR IN CAB AND CREW CAB TO BE PADDED RUBBER
 - PULL STRAPS ON ALL BODY ROLL-UP DOORS
 - 5/5 L-SHAPED GUARDS ON ALL BODY ROLL-UP DOORS
 - AMOR DUAL LED LIGHTS IN ALL BODY COMPARTMENTS
 - STORAGE COMPARTMENT ON TOP OF THE ENGINE TUNNEL
 - TURTLE TILE IN BODY COMPARTMENTS RS, PS, P2, R1, D1, D2, D3, D5, AND HATCH COMPARTMENT FLOORS NOT CONTAINING REELS
 - TURTLE TILE ON ALL SHELVES AND TRAYS EXCEPT TRAYS WITH 0.5" POLY IN THEM
 - ONAN 25kW SINGLE PHASE PTO DRIVEN GENERATOR LOCATED BETWEEN THE FRAME RAILS
 - (4) 20A, 120V 6-PLACE RECEPTACLES IN FORWARD FACING CENTER CABINET
 - (6) #9,000 RECEIVER STYLE TIE DOWN SHIPPED LOOSE
 - ALUMINUM TREADPLATE ON CREW CAB ROOF
 - NEWMAR CHARGER LOCATED BEHIND THE DRIVER'S SEAT
 - 20A, 120V 6-PLACE RECEPTACLE IN CABINET ON ENGINE TUNNEL

MAXIMUM O.A.L. 38'-0.50"

SIDE ROLL & FRONTAL IMPACT PROTECTION

CLEAR DOOR WIDTH KEY				CHASSIS DATA			
AMOR ROLL UP DOORS:	-2 1/4"			18MAR19	DHE	CDK	MAKE
CURTILE ROLL UP DOORS:	-2 1/2"			22JAN19	DHE	CDK	PIERCE
PIERCE DOUBLE LAP DOORS:	-4 1/4"			080CT18	DHE	CDK	MODEL
PIERCE LIFT-UP LAP DOORS:	-1 1/2"						REV
(EX: 60" F-F - 2 1/4" = 57 3/4" CLEAR)				DATE	BY	CH	VXF7R20

		JOB NO.	32785
		SCALE	DATE
TITLE	HEAVY DUTY RESCUE WALKIN/NON-WALKIN COMBO		
FOR	SACRAMENTO METROPOLITAN FIRE DISTRICT SACRAMENTO, CA		DRAWN BY DHE
DWG NO.	32785AD-SH1		27SEP18
	RYAN WRIGHT		CHECKED BY CDK
			28SEP18
			SHEET SIZE
			SHEET NO.
			1 OF 1