

# Pumper, PUC

BODY

Pumper, PUC, Aluminum

## CHASSIS

Arrow XT Chassis, PUC

### CHASSIS AXLE, FRONT, CUSTOM

22,800 Lb TAK-4 Axle

### AXLE, REAR

31,000 Lb Meritor Axle

### ENGINE

525 HP DD13 Engine

### TRANSMISSION

Allison 5th Gen, 4500 EVS P

### BUMPER

26" Extended Painted Steel Underslung Bumper

### CAB

6710 Arrow XT Cab, PUC

## BODY

### WATER TANK

1000 Gallon Poly Water Tank

### COMPT, PUMPER, REAR

40.50" FF RollUp Rear Compt w/Tailboard, PUC

### COMPT, PUMPER, DRIVER SIDE

189" RollUp Full Height & Depth Front & Rear, PUC

### COMPT, PUMPER PASS. SIDE

189" RollUp Full Height & Depth Front & Rear, PUC

## FIRE SUPPRESSION

Control Zone, PUC

### PUMP

1500 GPM Pierce PUC

### CROSSLAYS, 1.50"

(2) 1.50", Full Width Poly Trays, 250"

### CROSSLAYS, 2.50"

(1) 2.50", Full Width Poly Tray, 200"

### GENERATOR

Generator Not Required

### Foam System

Husky 3 Single Agent Foam System

### Foam Cell

25 Gallon Foam Cell, Not Reduced Water, PUC

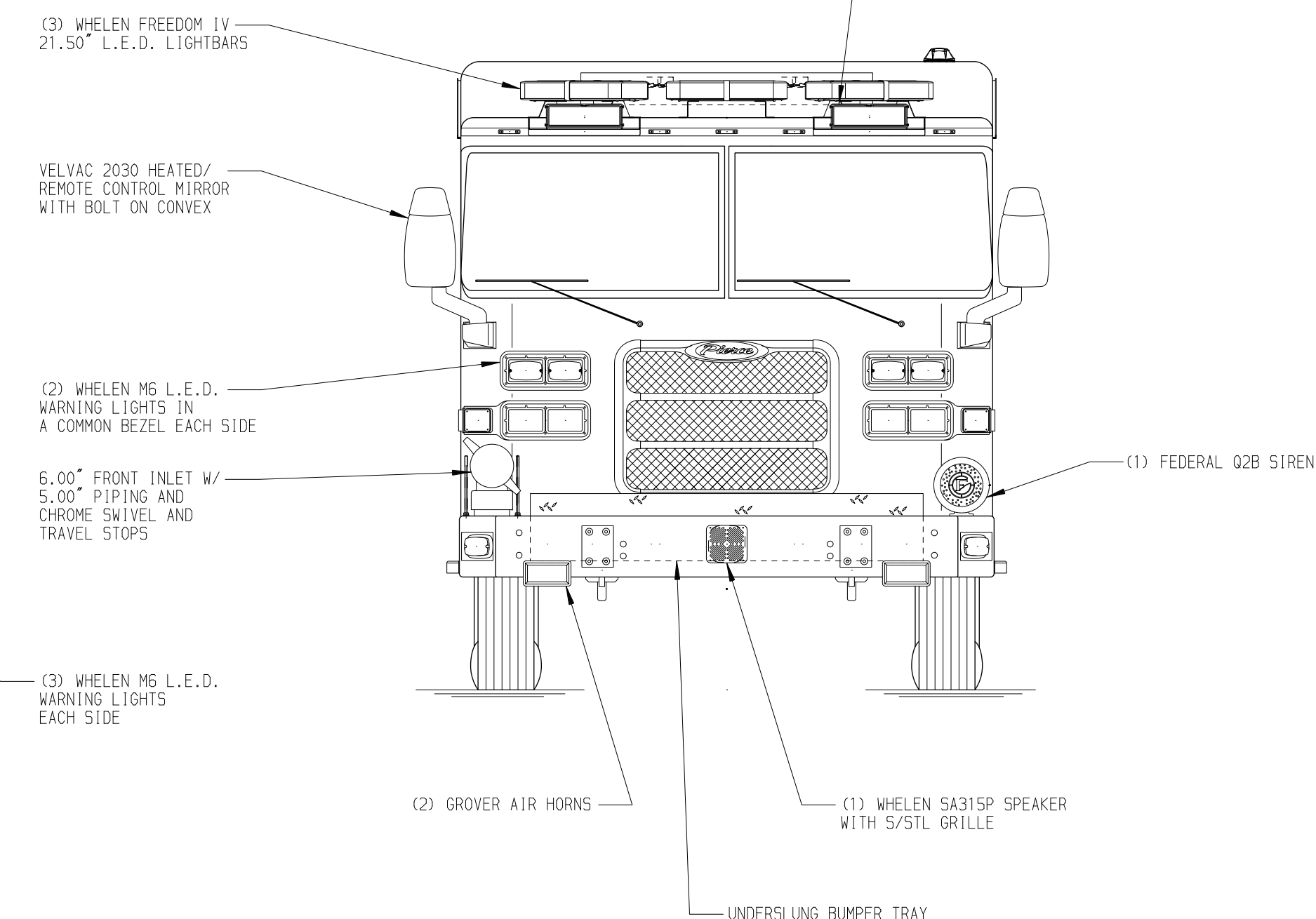
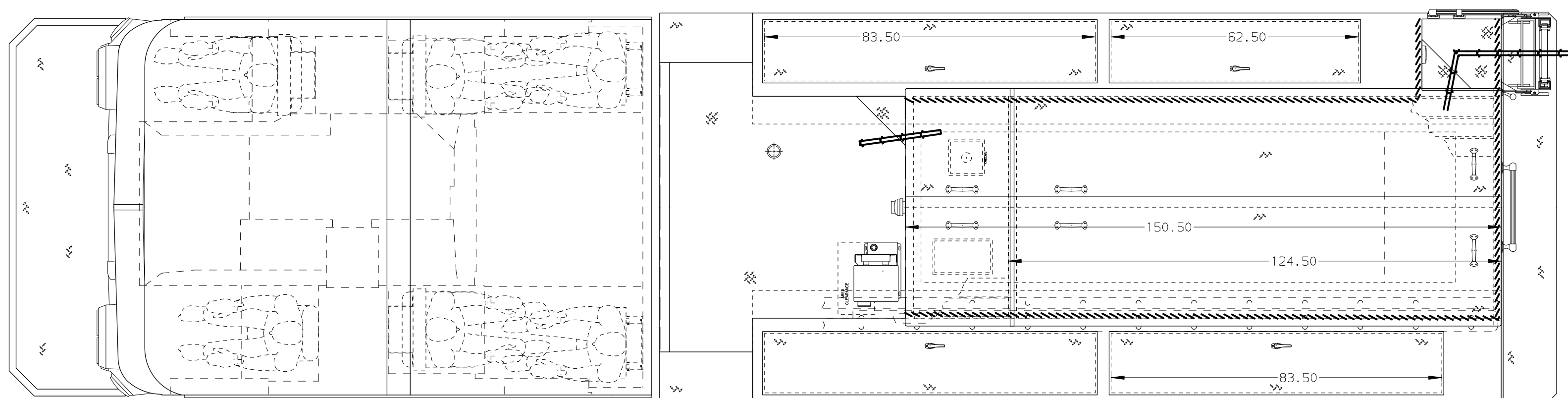
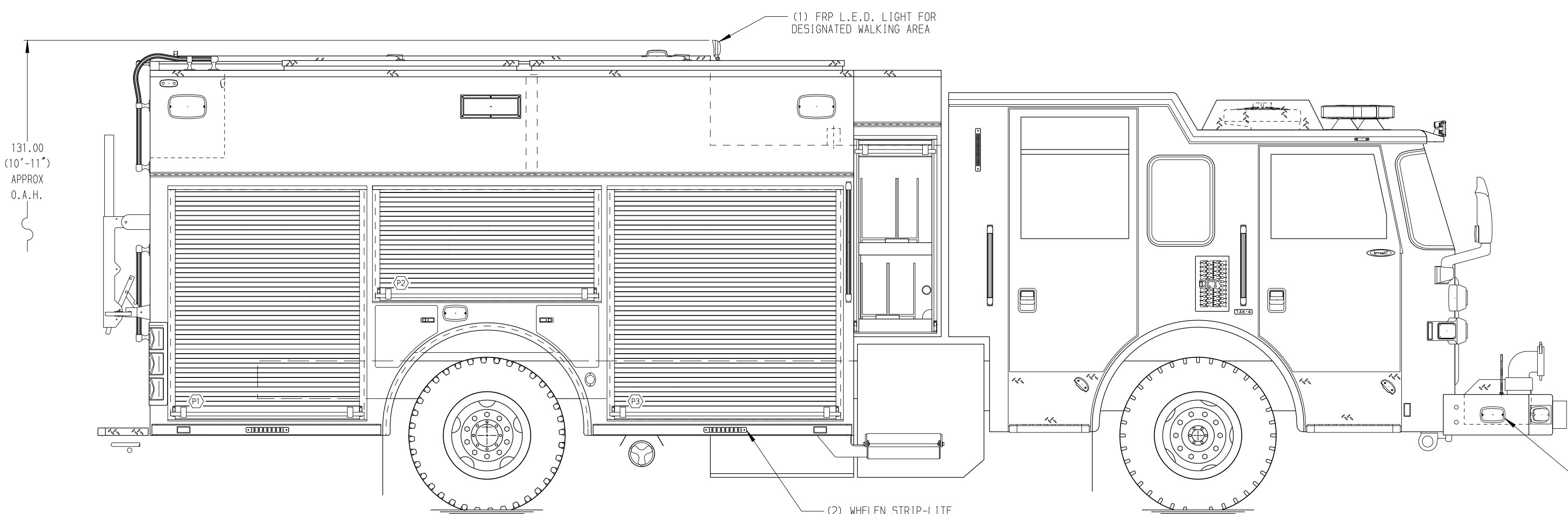
Side Roll and Frontal Impact Protection

### NOTE

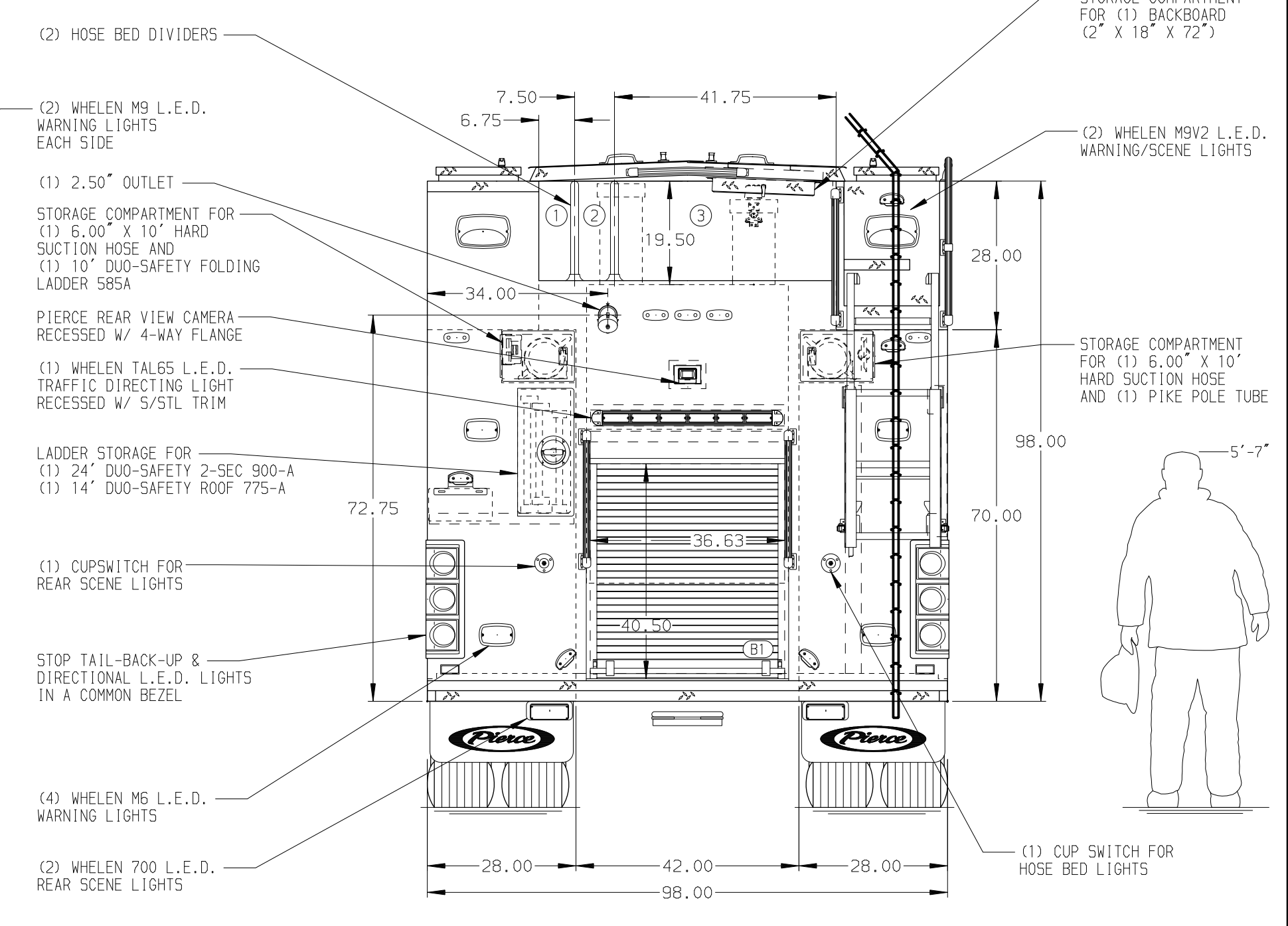
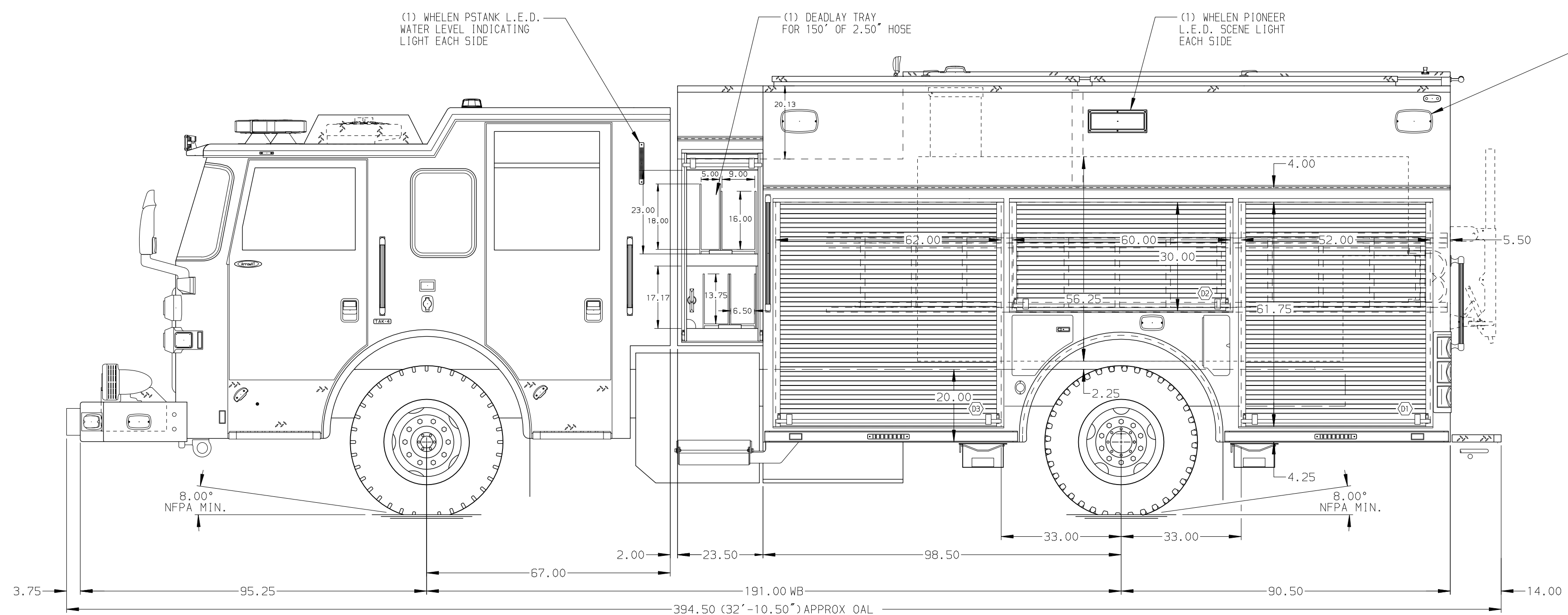
DIMENSIONS SHOWN ARE APPROXIMATE AND ARE SUBJECT TO MINOR DEVIATIONS AS MAY OCCUR OR BE NECESSARY IN CONSTRUCTION. MINOR DETAILS NOT SHOWN.

1. AUTOMATIC TIRE CHAINS
2. ONE 1.50" OUTLET WITH 2.00" PIPING AND SWIVEL LOCATED IN BUMPER TRAY
3. SHORELINE RECEPTACLE WITH KUSSMAUL SUPER AUTO-EJECT LOCATED ON DRIVER SIDE OF THE CAB
4. AIR INLET WITH DISCONNECT COUPLING IN THE DRIVER SIDE STEPPLELL
5. BATTERY CHARGER LOCATED IN COMPARTMENT PER SHOP ORDER
6. BATTERY CHARGE INDICATOR LOCATED ON THE DRIVER OF CAB
7. EIGHT ADJUSTABLE SHELVES LOCATED PER SHOP ORDER
8. TWO FLOOR MOUNTED SLIDE-OUT TRAYS LOCATED PER SHOP ORDER
9. ONE SLIDE-OUT TOOLBOARD LOCATED PER SHOP ORDER

10. ONE SWING-OUT TOOLBOARD LOCATED PER SHOP ORDER
11. ONE VERTICAL PARTITION LOCATED PER SHOP ORDER
12. ALUMINUM REARBORD LOCATED PER SHOP ORDER
13. XANTREX XPOWER POWER INVERTER LOCATED PER SHOP ORDER
14. ONE 120V 6-PLACE RECEPTACLES LOCATED PER SHOP ORDER
15. TWO 120V DUPLEX RECEPTACLES LOCATED PER SHOP ORDER
16. THREE TILTING-SLIDE-OUT TRAYS LOCATED PER SHOP ORDER
17. ONE ADJUSTABLE SLIDE-OUT TRAY LOCATED PER SHOP ORDER



| HOSEBED CAPACITY |                               |
|------------------|-------------------------------|
| BED 1            | 200' OF 3.00" D.J. POLY HOSE  |
| BED 2            | 200' OF 3.00" D.J. POLY HOSE  |
| BED 3            | 1000' OF 5.00" D.J. POLY HOSE |



|  |  |                           |  |            |           |
|--|--|---------------------------|--|------------|-----------|
|  |  | <b>MANUFACTURING INC.</b> |  | JOB NO.    | 32838     |
|  |  |                           |  | SCALE      | DATE      |
|  |  |                           |  | DRAWN BY   | 11JUN18   |
|  |  |                           |  | CHECKED BY | 12JUN18   |
|  |  |                           |  | SHEET SIZE | SHEET NO. |
|  |  |                           |  | D          | 1 OF 1    |

| REV     | DATE | BY  | CH | MODEL        | DWG NO. |
|---------|------|-----|----|--------------|---------|
| 15NOV18 | COL  | KBO |    | CHASSIS DATA |         |
| 25OCT18 | COL  | KBO |    | MAKE         |         |
| 04OCT18 | COL  | KBO |    | PIERCE       |         |
| 04SEP18 | COL  | KBO |    |              |         |
|         |      |     |    | Arrow XT     |         |

|         |                                    |
|---------|------------------------------------|
| TITLE   | Pierce PUC Pumper Approval Drawing |
| FOR     | Tri-Lakes Monument Fire District   |
| 32838AD |                                    |