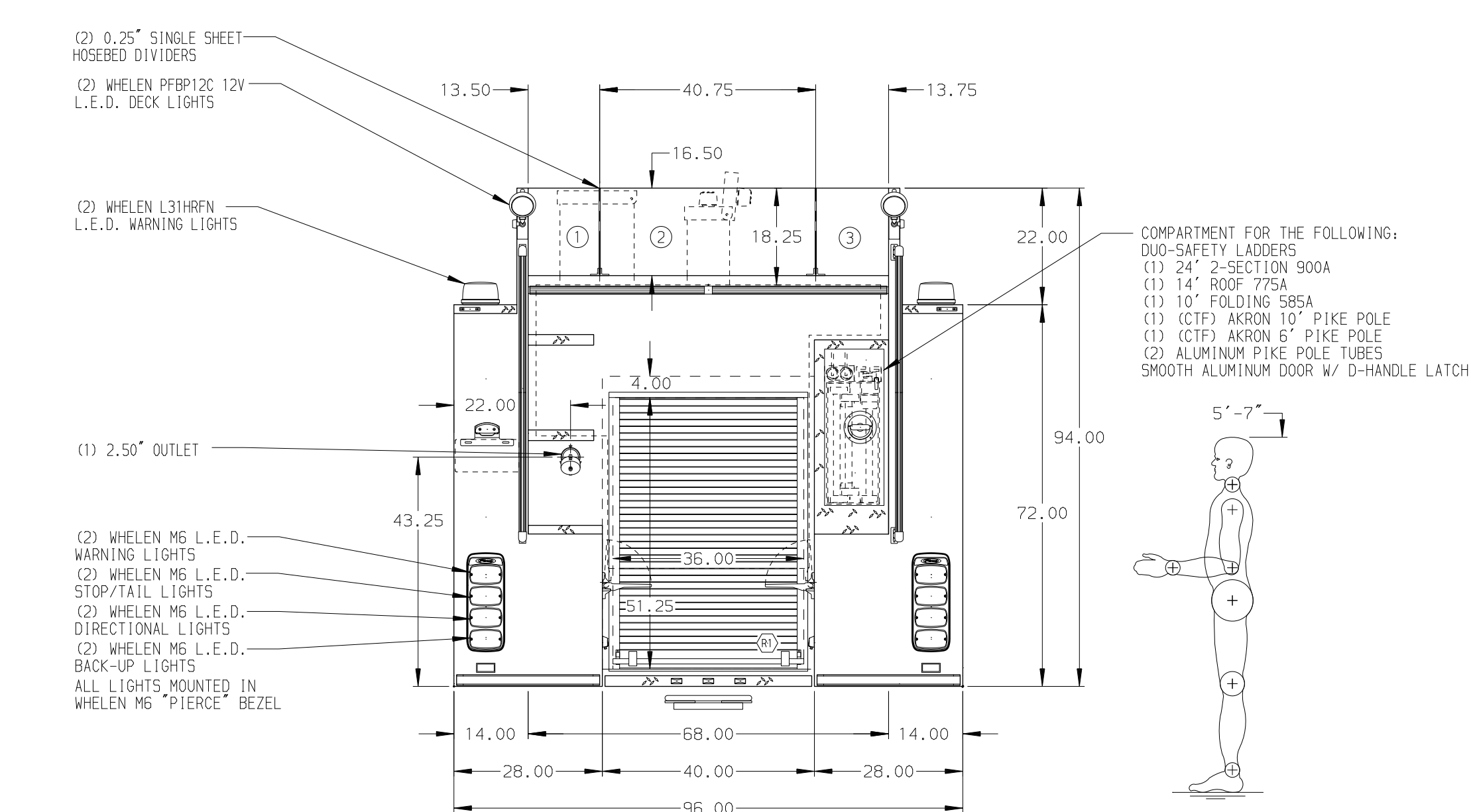


- HOSEBED CAPACITIES
- ① 500' OF 2.50" D.J. HOSE
 - ② 1000' OF 5.00" D.J. HOSE
 - ③ 500' OF 2.50" D.J. HOSE



ALUMINUM BODY

NOTE
DIMENSIONS SHOWN ARE APPROXIMATE AND ARE SUBJECT TO MINOR DEVIATIONS AS MAY OCCUR OR BE NECESSARY IN CONSTRUCTION. MINOR DETAILS NOT SHOWN.

		JOB NO.	32872						
		SCALE	DATE						
CHASSIS DATA MAKE PIERCE MODEL	TITLE	1500-D-1000P, 975 GAL WATER W/ 25 GAL FOAM, 152" PUMPER BODY, SIDE CONTROL, LADDERS BESIDE TANK	DRAWN BY	JLA	04JUN18				
	FOR	PIERCE FIELD UNIT BRADENTON, FLORIDA	CHECKED BY	CAG	05JUN18				
REV	DATE	BY	CH	SABER FR	DWG NO.	32872AD	SHEET SIZE	SHEET NO.	1 OF 1