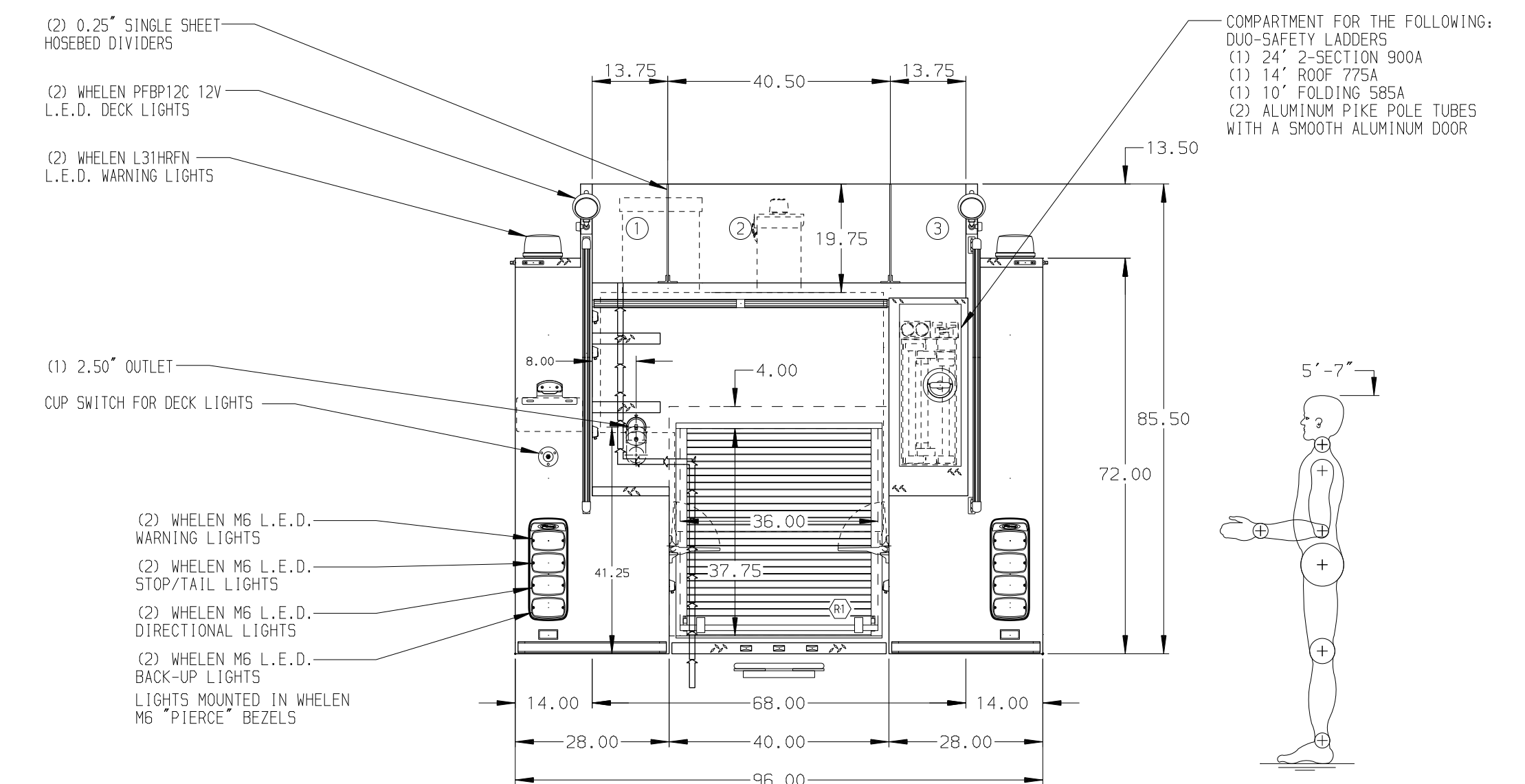
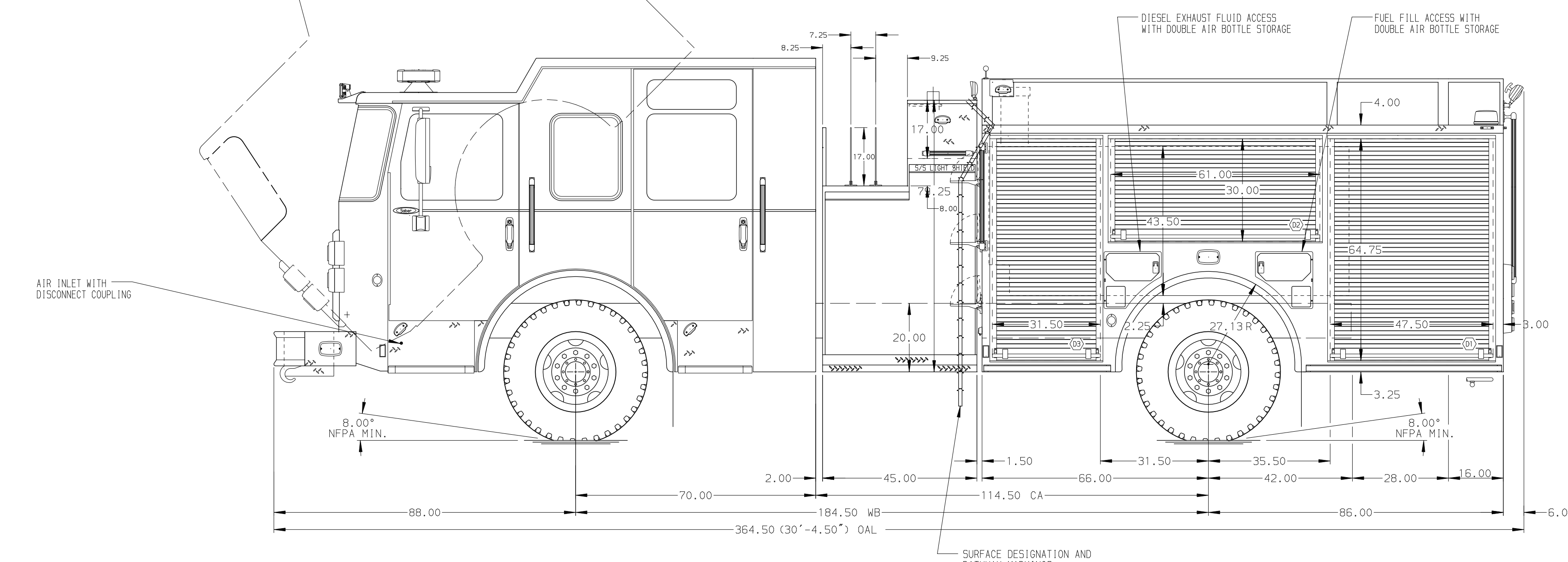


- HOSEBED CAPACITIES
- ① 500' OF 2.50" D.J. POLY HOSE
  - ② 1000' OF 5.00" D.J. POLY HOSE
  - ③ 500' OF 2.50" D.J. POLY HOSE



ALUMINUM BODY

NOTE  
 DIMENSIONS SHOWN ARE APPROXIMATE AND ARE SUBJECT TO MINOR DEVIATIONS AS MAY OCCUR OR BE NECESSARY IN CONSTRUCTION. MINOR DETAILS NOT SHOWN.

				<b>PIERCE MANUFACTURING INC.</b> <small>BRADENTON, FLORIDA</small>		JOB NO.	32897
						SCALE	1:24
						DATE	
				TITLE 1500-D-750P, W/30 GALLON FOAM, 152" PUMPER BODY (2) CROSSLAYS, 45" PUMPHOUSE, DELUGE		DRAWN BY	RWI
				MAKE PIERCE		CHECKED BY	CAG
				MODEL SABER FR		SHEET NO.	1 OF 1
REV	DATE	BY	CH	DWG NO.		32897AD	