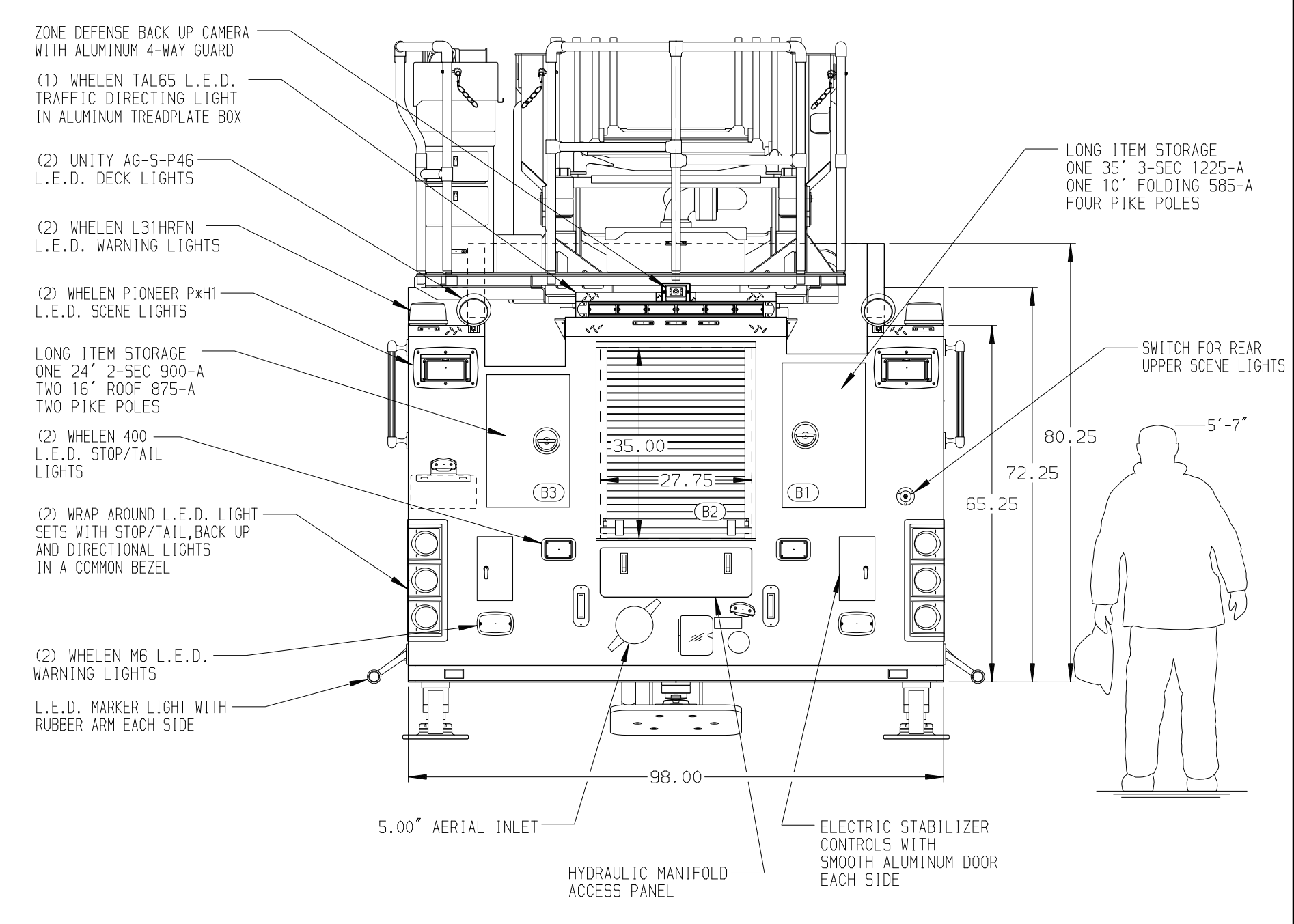


BODY 107' ASL Aluminum Body PUC COMPT, LEFT SIDE FRONT Full Height RollUp Forward COMPT, LEFT SIDE REAR Full Height RollUp Rearward COMPT, RIGHT SIDE FRONT Full Height RollUp Forward COMPT, RIGHT SIDE REAR Full Height RollUp Rearward	WATER TANK 500 Gallon Poly Water Tank Foam System Foam System Not Required Foam Cell Foam Cell Not Required
---	---



CHASSIS Velocity Chassis (Big Block)	CAB 7010 Notched Velocity FR Cab, PUC	AXLE, FRONT, CUSTOM 24,000 Lb TAK-4 Axle	TRANSMISSION Allison 5th Gen, 4500 EV5 P	PUMPHOUSE Control Zone, PAL/PAP PUC	CROSSLAYS, 1.50" (2) 1.50", Full Width Trays, 200'	SPEEDLAYS Speedlays Not Required	SAFETY Side Roll and Frontal Impact Protection
ENGINE 525 HP DD13 Engine	BUMPER 19" Extended Stainless Steel	AXLE, REAR 33,500 Lb Meritor Axle		PUMP 1500 GPM Pierce PUC	CROSSLAYS, 2.50" (1) 2.50", Full Width Tray, 200'	GENERATOR Generator Not Required	

NOTE
DIMENSIONS SHOWN ARE APPROXIMATE AND ARE SUBJECT TO MINOR DEVIATIONS AS MAY OCCUR OR BE NECESSARY IN CONSTRUCTION. MINOR DETAILS NOT SHOWN.

- NO LIMITED RETRACTION REQUIRED
- ONE 1.50 OUTLET WITH 2.00 PIPING AND SWIVEL LOCATED IN CENTER BUMPER TRAY
- SHOULDER RECEPTACLE WITH KUSMALL SUPER AUTO-EJECT LOCATED ON THE DRIVER SIDE OF THE CAB
- BATTERY CHARGER INDICATOR LOCATED ON THE DRIVER SIDE OF THE CAB
- AIR INLET WITH DISCONNECT COUPLING IN THE DRIVER SIDE STEPIWELL
- BATTERY CHARGER/AIR COMPRESSOR LOCATED IN COMPARTMENT PER SHOP ORDER
- ELEVEN ADJUSTABLE SHELVES IN COMPARTMENTS PER SHOP ORDER
- THREE FLOOR MOUNTED SLIDE-OUT TRAYS IN COMPARTMENTS PER SHOP ORDER
- TWO SWING-OUT ALUMINUM TOOL BOARDS IN COMPARTMENTS PER SHOP ORDER
- ONE CTECH 3-DRAWER ASSEMBLY IN COMPARTMENT PER SHOP ORDER
- ONE ADJUSTABLE VERTICAL PARTITION IN COMPARTMENT PER SHOP ORDER
- FIVE 120V RECEPTACLES LOCATED PER SHOP ORDER
- REMOTE LADDER CONTROLS AT AERIAL TIP
- NON-RAISED AERIAL PEDESTAL
- 1500 GPM HIGH FLOW WATERWAY

		JOB NO.	32909
TITLE 107' ASCENDANT AERIAL LADDER AND BODY ASSEMBLY		SCALE	1:24
MAKE PIERCE		DRAWN BY	MWA
MODEL VELOCITY		CHECKED BY	CRI
REV	DATE	BY	CH
120CT18	LWE	KBO	
17SEP18	TKA	KBO	
DWG NO. 32909AD		DATE	08AUG18
SHEET NO. D		CITY OF ROLLA	10AUG18
SHEET SIZE 1 OF 1		ROLLA, MISSOURI	