

Pumper, PUC BODY

Pumper, PUC, Aluminum

CHASSIS

Enforcer Chassis, PUC

CHASSIS AXLE, FRONT, CUSTOM

19,500 Lb TAK-4 Axle

AXLE, REAR

27,000 Lb Dana Axle

ENGINE

450 HP Cummins L9 Engine

TRANSMISSION

Allison 5th Gen, 3000 EVS P

BUMPER

19" Extended Stainless Steel

CAB

7010 Enforcer Cab, PUC

BODY

WATER TANK

750 Gallon Poly Water Tank
COMPT, PUMPER, REAR
33.50" FF RollUp Rear Compt w/Tailboard, PUC

COMPT, PUMPER, DRIVER SIDE

177" RollUp Full Height & Depth Front & Rear, PUC

COMPT, PUMPER PASS. SIDE

177" RollUp Full Height & Depth Front & Rear, PUC

FIRE SUPPRESSION PUMPHOUSE

Control Zone, PUC

PUMP

1500 GPM Pierce PUC

CROSSLAYS, 1.50"

(2) 1.50", Poly Trays, 200"

CROSSLAYS, 2.50"

(1) 2.50", Poly Tray, 200"

GENERATOR

Generator Not Required

Foam System

Foam System Not Required

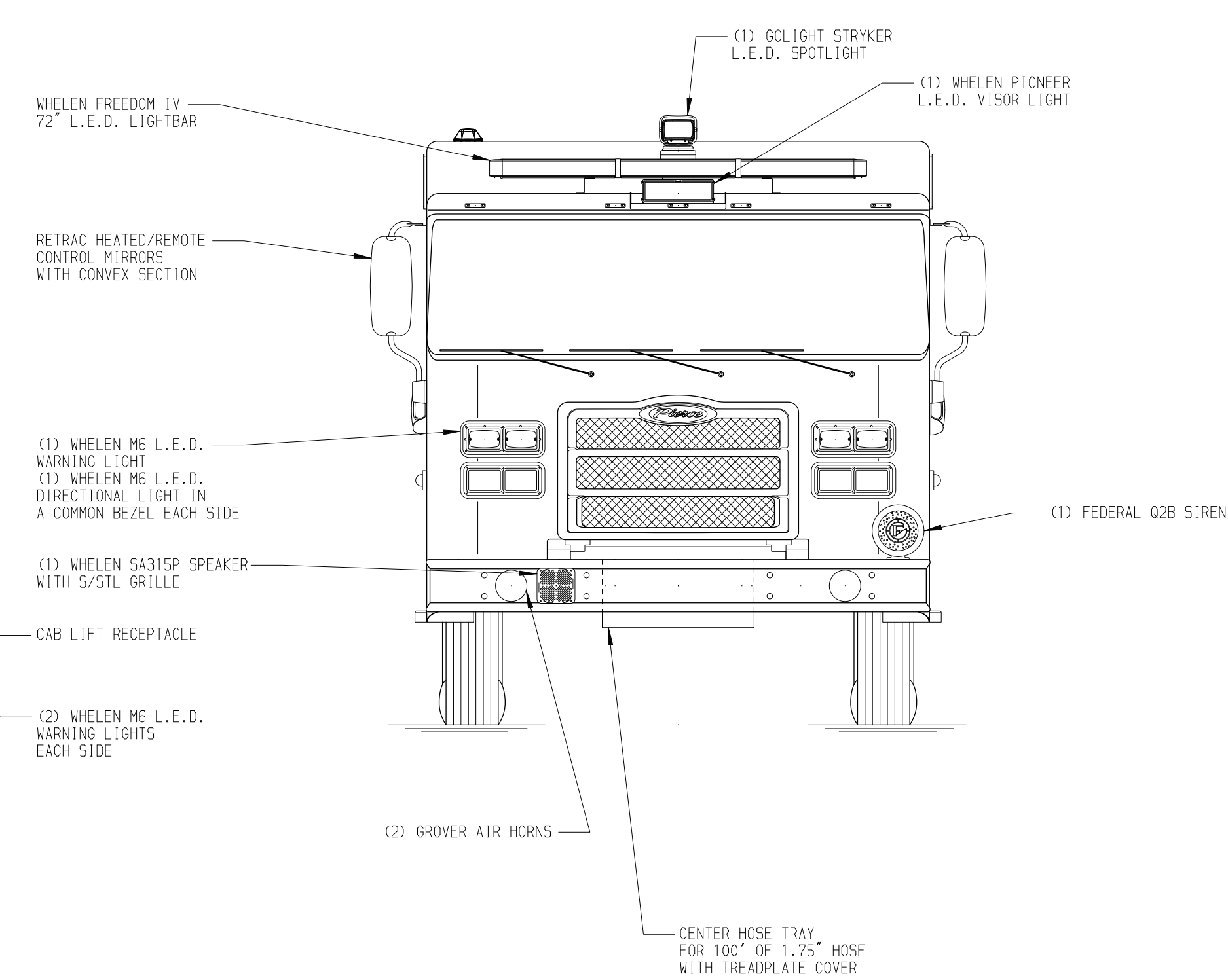
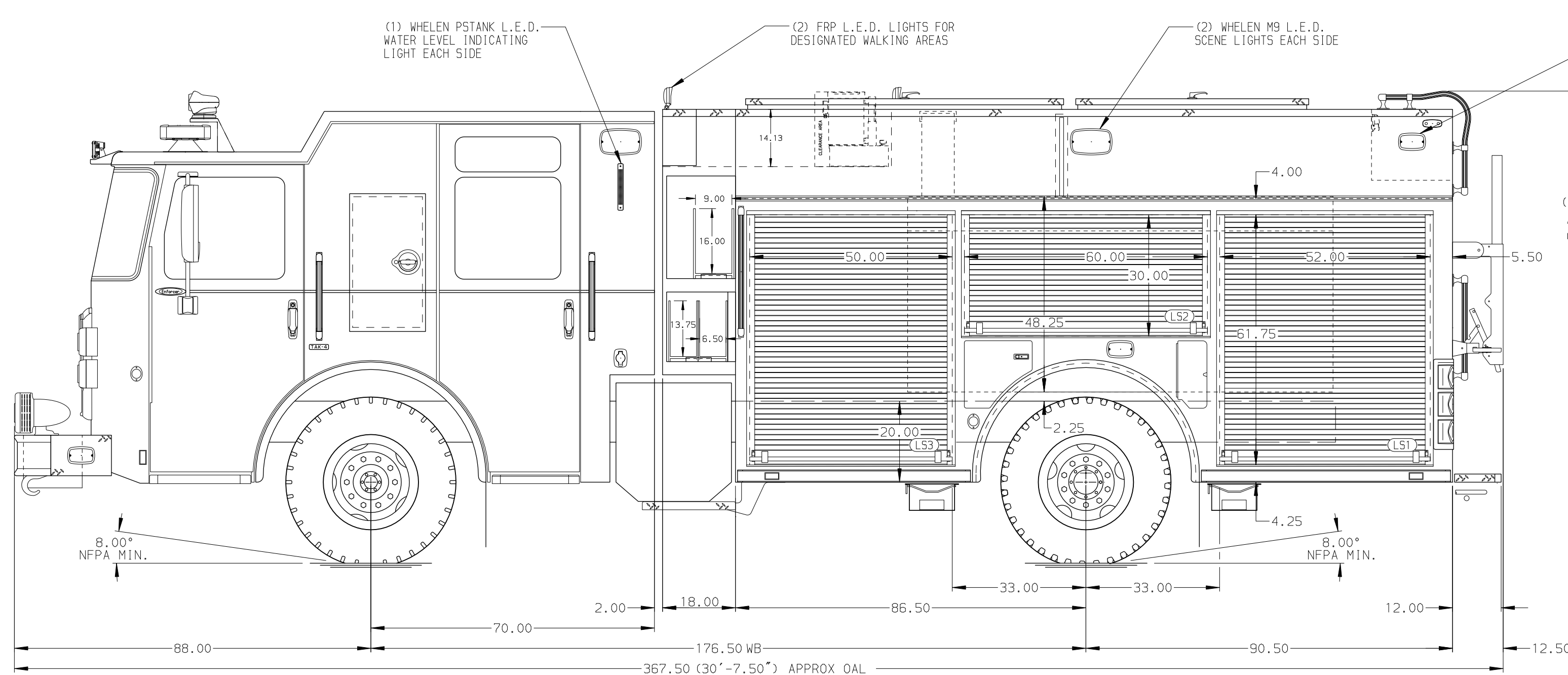
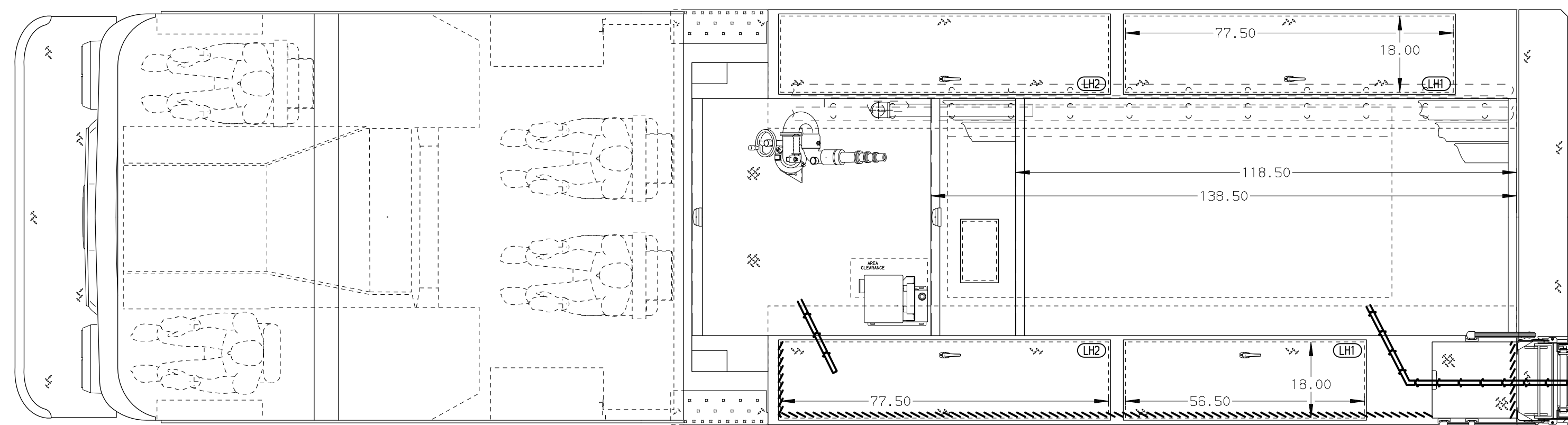
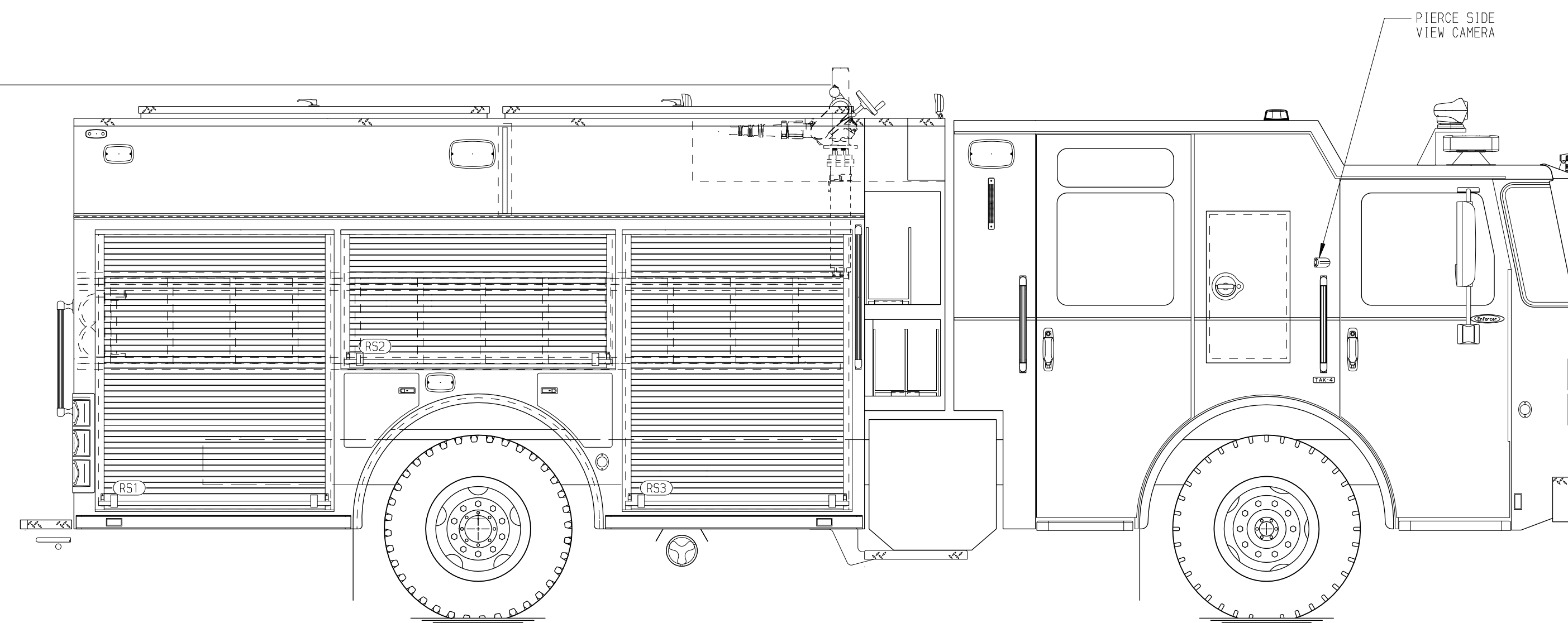
Foam Cell

Foam Cell Not Required

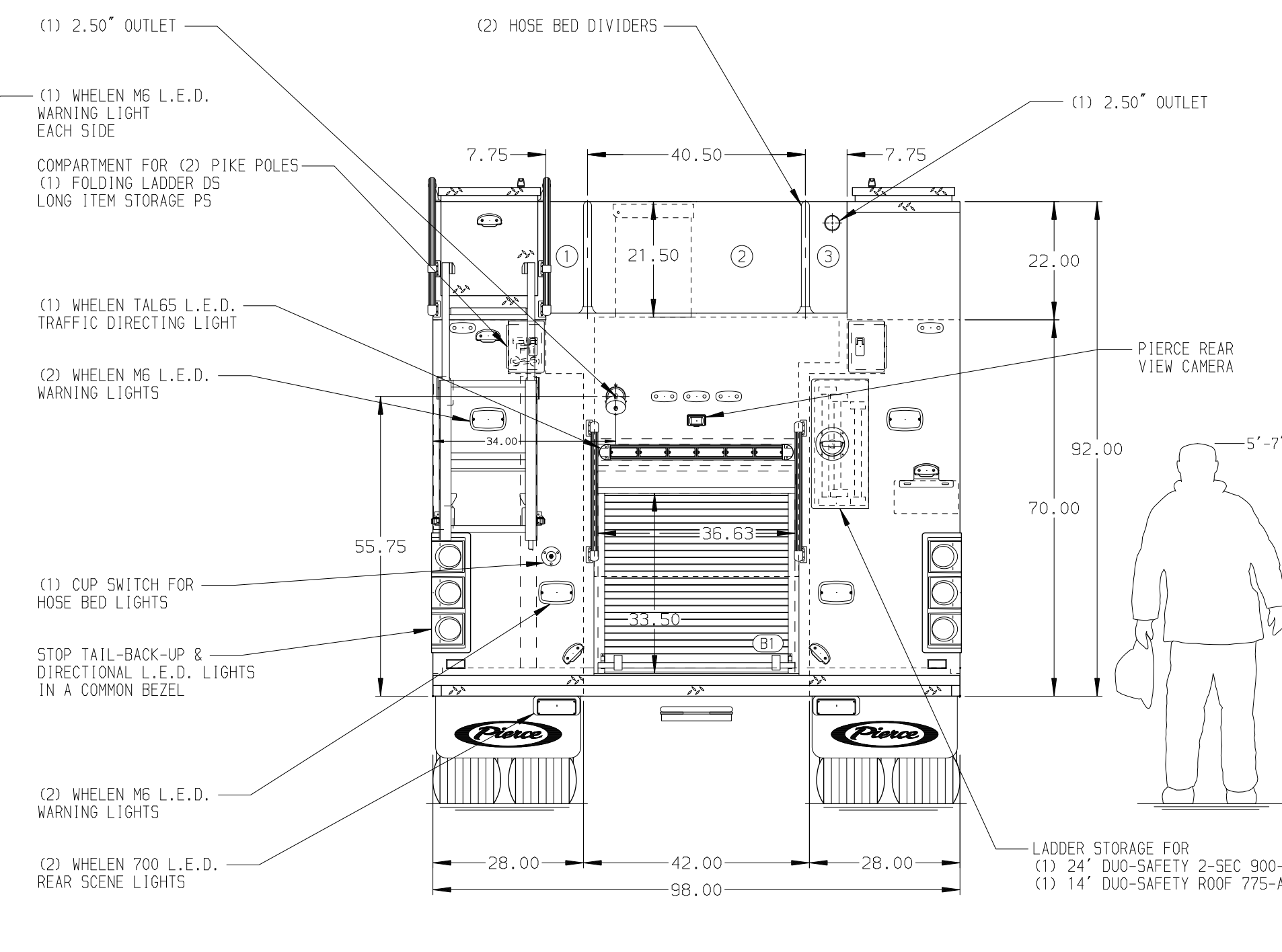
NOTE
DIMENSIONS SHOWN ARE APPROXIMATE AND ARE SUBJECT TO MINOR DEVIATIONS AS MAY OCCUR OR BE NECESSARY IN CONSTRUCTION. MINOR DETAILS NOT SHOWN.

- ONE 1.50 OUTLET WITH 2.00 PIPING AND SWIVEL LOCATED IN CENTER BUMPER TRAY
- SHOULDER RECEPTACLE WITH KUSSMAUL SUPER AUTO-EJECT LOCATED DRIVER SIDE CREW CAB
- AIR INLET WITH DISCONNECT COUPLING IN THE DRIVER SIDE STEPWELL
- BATTERY CHARGER LOCATED IN COMPARTMENT PER SHOP ORDER
- BATTERY CHARGE INDICATOR LOCATED ON THE DRIVER SIDE SEAT RISER
- SIX ADJUSTABLE SHELVES LOCATED PER SHOP ORDER
- THREE FLOOR MOUNTED SLIDE-OUT TRAYS LOCATED PER SHOP ORDER
- TWO SWING-OUT TOOLBOARDS LOCATED PER SHOP ORDER
- AUTOMATIC TIRE CHAINS

124.00
(10'-4")
APPROX
O.A.H.



HOSEBED CAPACITY	
BED 1	200' OF 1.50" D.J. POLY HOSE
BED 2	1500' OF 2.50" D.J. POLY HOSE
BED 3	200' OF 1.50" D.J. POLY HOSE



		JOB NO.	32917
		SCALE	DATE
Pierce PUC Pumper Approval Drawing Bluffdale City Corporation		DRAWN BY	27JUL18
		CHECKED BY	31JUL18
DWG NO. 32917AD		SHEET SIZE	SHEET NO.
		D	1 OF 1

REV	DATE	BY	CH	ENFORCER
09NOV18	COL	KBO		PIERCE
08OCT18	COL	JEC		PIERCE