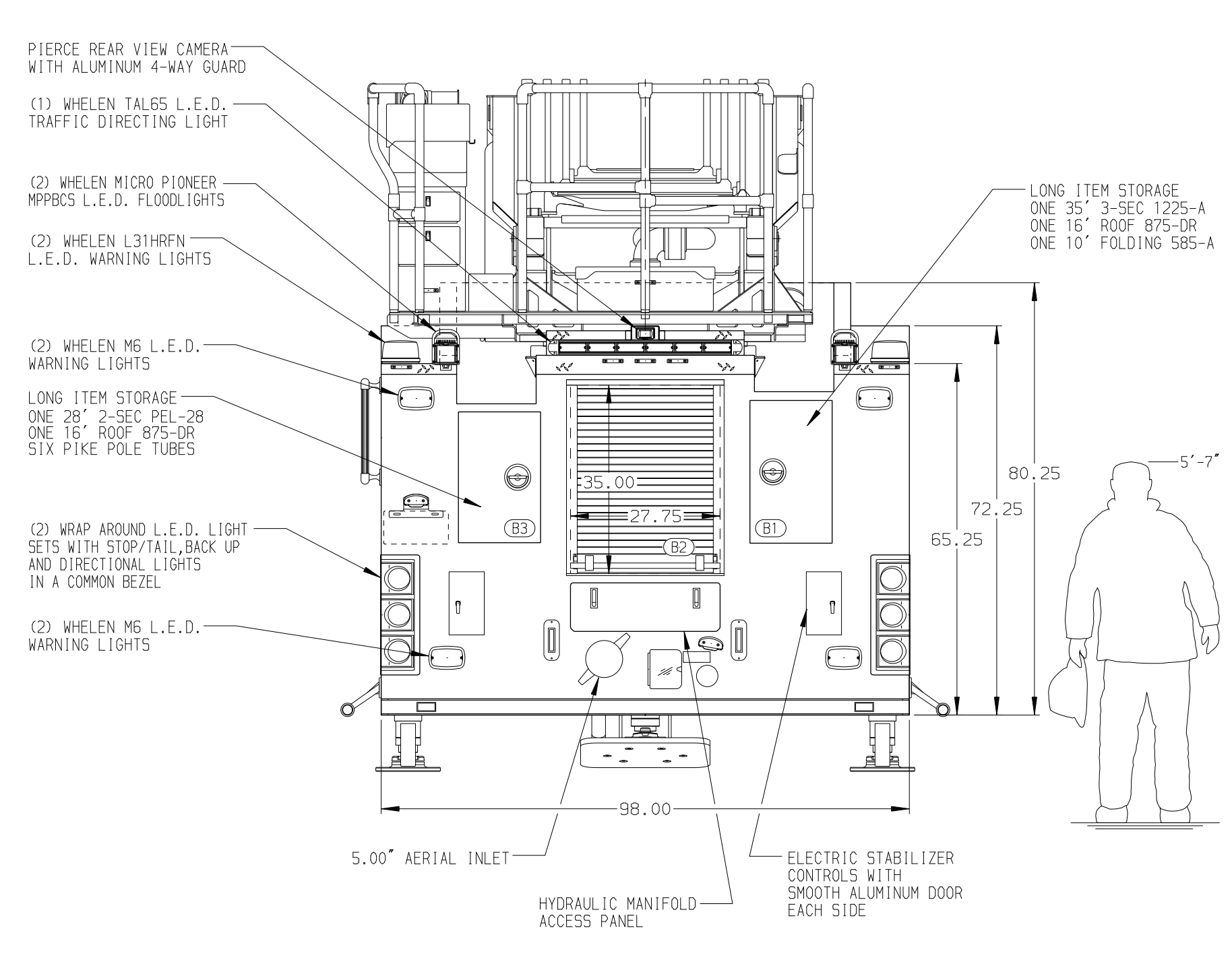
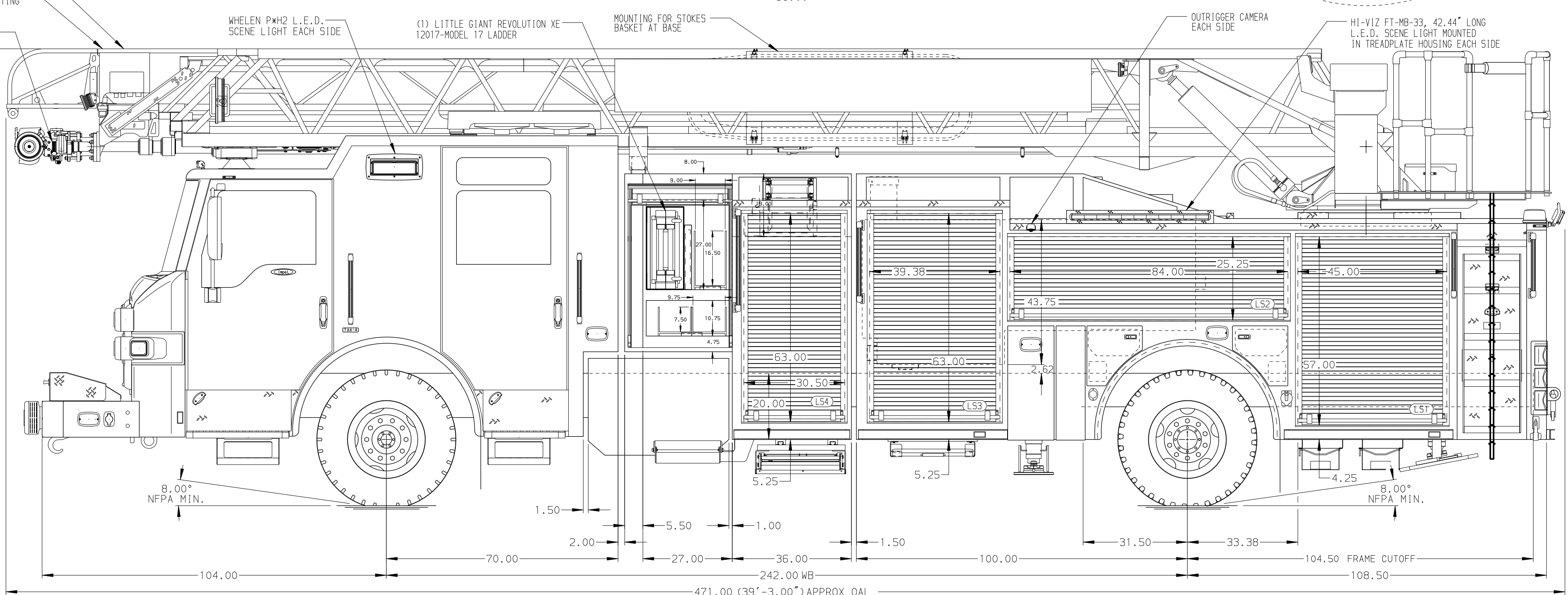


BODY	WATER TANK
107' ASL Aluminum Body PUC	500 Gal/Lon Poly Water Tank
COMPT, LEFT SIDE FRONT	Foam System
Full Height RollUp Forward	Foam System Not Required
COMPT, LEFT SIDE REAR	Foam Cell
Full Height RollUp Rearward	Foam Cell Not Required
COMPT, RIGHT SIDE FRONT	
Full Height RollUp Forward	
COMPT, RIGHT SIDE REAR	
Full Height RollUp Rearward	



CHASSIS Impel Chassis, PUC ENGINE 450 HP Cummins L9 Engine	CAB 7010 Notched Impel FR Cab, PUC BUMPER 26" Extended Painted Steel	AXLE, FRONT, CUSTOM 24,000 Lb TAK-4 Axle AXLE, REAR 33,500 Lb Meritor Axle	TRANSMISSION Allison 5th Gen, 3000 EVS P	PUMPHOUSE Control Zone, PAL/PAP PUC PUMP 1500 GPM Pierce PUC	CROSSLAYS, 1.50" (2) 1.50", Full Width Trays, 200' CROSSLAYS, 2.50" (1) 2.50", Full Width Tray, 200'	SPEEDLAYS Speedlays Not Required GENERATOR Harrison 6KW MAS-D Hydraulic	SAFETY Side Roll and Frontal Impact Protection
---	---	---	--	---	---	--	--

NOTE
DIMENSIONS SHOWN ARE APPROXIMATE AND ARE SUBJECT TO MINOR DEVIATIONS AS MAY OCCUR OR BE NECESSARY IN CONSTRUCTION. MINOR DETAILS NOT SHOWN.

- SHORELINE RECEPTACLE WITH KUSSMAUL SUPER AUTO-EJECT LOCATED ON THE LEFT SIDE OF THE FRONT BUMPER
- CIRCUIT BREAKER PANEL LOCATED IN COMPARTMENT PER SHOP ORDER
- BATTERY CHARGER LOCATED BEHIND DRIVER'S SEAT
- AIR COMPRESSOR LOCATED BEHIND DRIVER'S SEAT
- BATTERY CHARGE INDICATOR LOCATED ON DRIVER'S SEAT RISER
- THIRTEEN ADJUSTABLE SHELVES IN COMPARTMENTS PER SHOP ORDER
- TWO ALUMINUM TREADPLATE ANGLED FOR CRIBBING IN COMPARTMENTS PER SHOP ORDER
- TWO SWING-OUT ALUMINUM TOOLBOARDS LOCATED IN COMPARTMENTS PER SHOP ORDER
- THREE ALUMINUM PEGBOARD WITH TRACKS ON THE BACK WALL OF COMPARTMENTS PER SHOP ORDER
- TWO VERTICAL PARTITIONS LOCATED IN COMPARTMENT PER SHOP ORDER
- ONE AIR BAG RACK FOR TEN AIR BAGS LOCATED IN COMPARTMENT PER SHOP ORDER
- ONE 120V RECEPTACLE STRIP IN COMPARTMENT PER SHOP ORDER
- ONE AKRON ERWC-15-10 CORD REEL WITH 200' OF 10/3 CABLE LOCATED IN L.S. CARGO AREA
- NON-RAISED AERIAL PEDESTAL
- NO LIMITED RETRACTION

Pierce MANUFACTURING INC.				JOB NO.	32944
				SCALE	DATE
				1:24	
				DRAWN BY	13AUG18
				SVA	
				CHECKED BY	04SEP18
				JBL	
				SHEET SIZE	SHEET NO.
				D	1 OF 1

CHASSIS DATA	TITLE	107' ASCENDANT AERIAL LADDER AND BODY ASSEMBLY
MAKE	FOR	NORTHERN WAKE COUNTY FIRE DEPT
PIERCE		WAKE COUNTY, NC
MODEL	DWG NO.	32944AD
IMPEL		

REV	DATE	BY	CH
04DEC18		TKA	SHE
16NOV18		TKA	KBO
18OCT18		TKA	SHE